

# TI Designs: TIDA-01625

## 低功耗、高精度温度和湿度计参考设计



### 说明

这款湿度和温度计显示板为用户提供了易于读取的模块，以测量环境空气温度和相对湿度。此参考设计展示了为带有集成温度和湿度感应能力的设备开发低功耗系统时主要关注的问题。该系统的尺寸为 1.83 英寸 x 1.45 英寸，可以满足小巧外形设备的需求，为在空间有限环境中使用提供了便利。板载微控制器 (MCU) 通过 I<sup>2</sup>C 通信协议与湿度传感器进行通信，并将测量的结果通过 SPI 协议显示在 LCD 上。

### 资源

- TIDA-01625 设计文件夹
- HDC2010 产品文件夹
- MSP430FR5969 产品文件夹



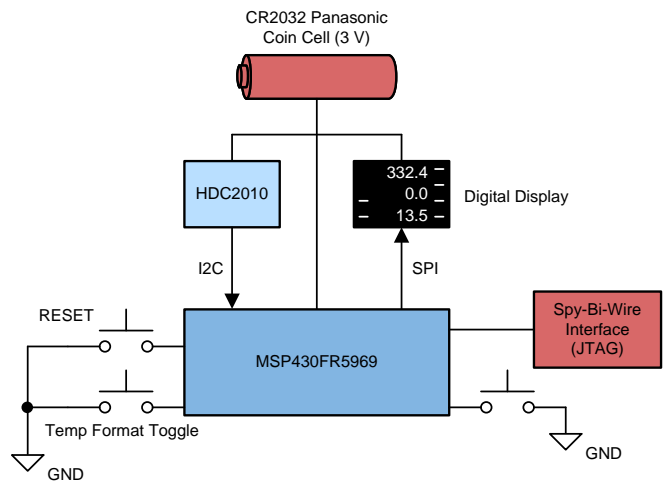
咨询我们的 E2E™ 专家

### 特性

- 高精度、低功耗温度和湿度传感器
- 128x128 像素 LCD
- 超低功耗 MCU
- 电池供电
- 支持电池电压监控功能

### 应用

- 无线环境传感器
- 恒温器
- 个人电子产品





该 TI 参考设计末尾的重要声明表述了授权使用、知识产权问题和其他重要的免责声明和信息。

## 1 System Description

The meter board comes pre-loaded with firmware that ensures successful operation upon connection of the coin cell battery. Because the MSP430™ MCU is flashed using JTAG protocol, the test, reset, and ground pins are broken out to a three-pin header for the user to have the option to flash the MSP430FR5969 MCU. The device features three push-buttons. Button S1 functions to perform RESET, S2 switches the temperature display format on the display (Celsius or Fahrenheit), and another button (S3) can be programmed by the user. Test points are provided for the user to probe the clock and data signal lines corresponding to I2C data transfer, in addition to power and ground probe locations.

### 1.1 Key System Specifications

表 1. Key System Specifications

PART DESCRIPTION	PART NUMBER	KEY SPECIFICATIONS
Coin cell battery	CR2032	<ul style="list-style-type: none"> <li>• 3-V voltage output</li> <li>• 225-mAh nominal battery capacity</li> </ul>
Ultra-low-power MCU	MSP430FR5969	<ul style="list-style-type: none"> <li>• Wide supply voltage range (1.8 V to 3.6 V)</li> <li>• Active mode: 100 <math>\mu</math>A/MHz</li> <li>• Standby: 0.4 <math>\mu</math>A</li> <li>• Real-time clock: 0.25 <math>\mu</math>A</li> <li>• Shutdown: 0.02 <math>\mu</math>A</li> </ul>
Low-power, high-accuracy humidity and temperature sensor	HDC2010	<ul style="list-style-type: none"> <li>• Humidity accuracy: <math>\pm</math> 2%</li> <li>• Sleep current: 50 nA</li> <li>• Average supply current (RH+ temperature): 550 nA</li> </ul>
128x128 LCD	LSO13B7DH03	<ul style="list-style-type: none"> <li>• Super low-power consumption TFT panel (50 <math>\mu</math>W = no display update, 130 <math>\mu</math>W = display update)</li> </ul>

## 2 System Overview

### 2.1 Block Diagram

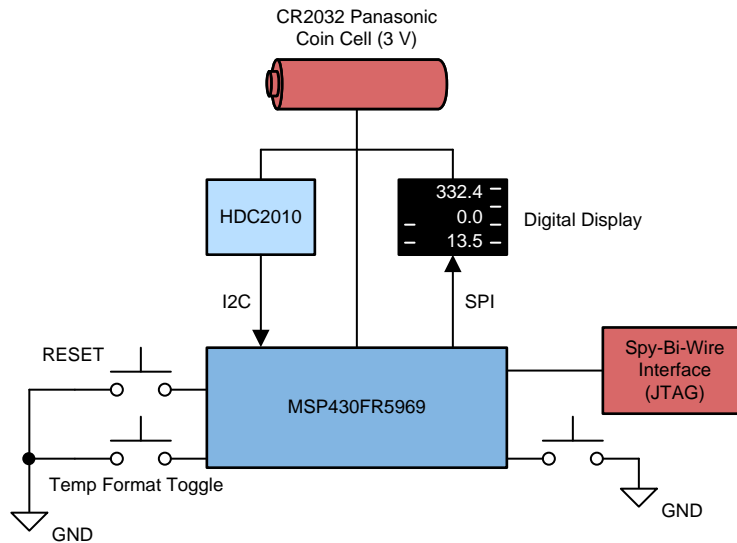


图 1. TIDA-01625 Block Diagram

### 2.2 Design Considerations

The primary design consideration in this reference design is the choice of low power-consumption devices.

A battery voltage monitoring system allows the user to implement in firmware. A potential divider serves to feed an ADC-enabled GPIO of the MSP430 MCU. That way, voltage sags intrinsic to battery operation over time can be monitored and optionally displayed along with temperature and humidity measurement results; however, this requires firmware modification.  $V_{CC_{Monitor}}$  is calculated according to 公式 1:

$$V_{CC_{Monitor}} = \frac{R_5 \times V_{CC}}{R_4 + R_5} \quad (1)$$

Select R4 and R5 to provide appropriate drive current to the ADC. In addition, the system features a reverse polarity protection FET applied to the battery terminals. This FET acts as a load switch in the system. Looking at the schematic, the body diode of Q1 sits connected between the drain and source of Q1. The anode is connected to the drain, while the cathode is connected to the gate. When the battery is connected correctly, the body diode is forward biased and conducts current from the drain to the source. Because Q1 is a P-channel MOSFET, the gate voltage is brought below the source voltage, providing the correct turnon condition. When the battery is connected in reverse, the gate of Q1 is receiving a voltage above the source voltage. Therefore, Q1 does not turn on and current is not passed to the load through conduction of the body diode.

## 2.3 Highlighted Products

This reference design features the following TI devices:

- MSP430FR5969
- HDC2010

For more information on these devices, see their respective product folders at [www.ti.com](http://www.ti.com).

### 2.3.1 MSP430FR5969 Mixed-Signal Microcontroller

The MSP430FR5969 is an ultra-low-power MCU that is optimized for lowered energy budgets in end equipment.

The device is a member of the MSP430FR59xx family of ultra-low-power mixed-signal microcontrollers, featuring generous FRAM capabilities to enhance low-power designs in addition to intelligent peripherals to allow for varied application implementation. Updating FRAM takes 100× less time than DRAM and there is no pre-erase required. In addition, FRAM includes faster write speeds, unified memory, and low-energy writes. Unified memory refers to program, data, and storage registers in one single place, which expedites the software run.

Because of its fast write speeds, FRAM has near infinite endurance. In a remote sensor, data could be written more often for improved data accuracy or the sensor could collect data for longer. Due to the lack of a charge pump, FRAM enables lower average and peak power during writes. FRAM is also nonvolatile (that is, retains its contents upon power loss). Using the MSP430 MCU with FRAM allows for on-the-fly writes, as opposed to buffered in RAM. The bitwise programmable memory can be used at the programmer's convenience for data or program storage. FRAM also offers advantages in security and is inherently more secure due to its makeup. Also, de-layering is not effective.

In comparison to MCUs with flash, FRAM:

- Is very easy to use
- Requires no setup or preparation such as unlocking of control registers
- Is not segmented and each bit is individually erasable, writable, and addressable
- Does not require an erase before a write
- Allows low-power write accesses (does not require a charge pump)
- Can be written to across the full voltage range (1.8 V to 3.6 V)
- Can be written to at speeds close to 8MBps (maximum flash write speed including the erase time is approximately 14 kBps)
- Does not require additional power to write to FRAM when compared to reading from FRAM

表 2 summarizes the MSP430 FRAM advantages:

**表 2. MSP430™ FRAM Advantages**

SPECIFICATION	FRAM	SRAM	FLASH
Write speed per word	125 ns	< 125 ns	85 μs
Erase time	No pre-erase required	No pre-erase required	23 ms for 512 bytes
Bitwise programmable	Yes	Yes	No
Write endurance	10 <sup>15</sup> writes	N/A	10 <sup>5</sup> writes per erase cycle
Nonvolatile	Yes	No	Yes
Internal write voltage	1.5 V	1.5 V	12 to 14 V (charge pump required)

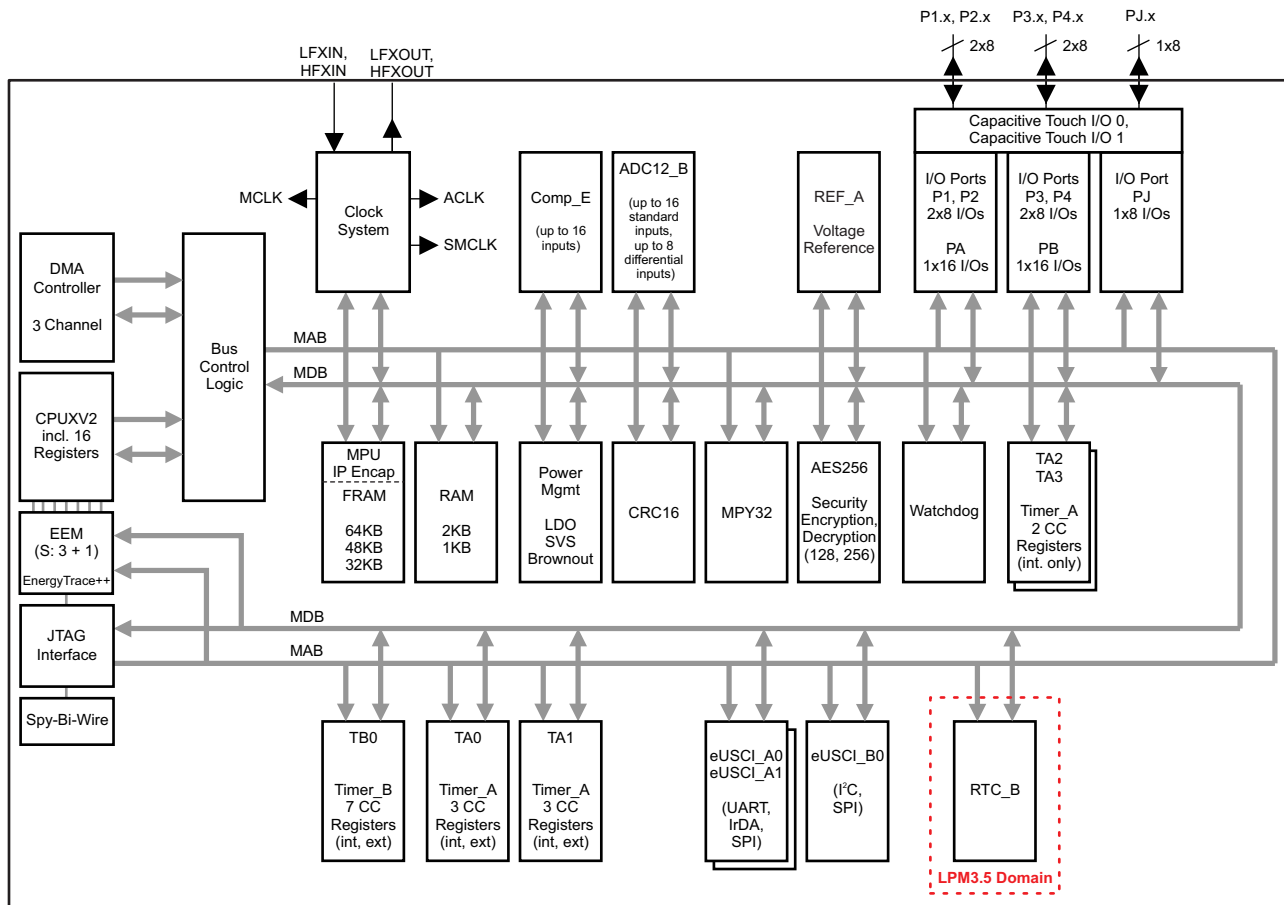


图 2. MSP430FR5969 Functional Block Diagram

### 2.3.2 HDC2010—Humidity and Temperature Sensor

The HDC2010 sensor measures the ambient air temperature and humidity with very low power consumption. The sensor comes in an ultra-compact Wafer Level Chip Scale Package (WLCSPP) with the sensing element placed on the bottom part of the device, making it more robust against dirt, dust, and other environmental contaminants. One of the key features of the HDC2010 is its low power consumption, a key requirement for this coin cell based design. The device consumes a mere 50 nA of current in sleep mode, which is the default mode upon startup and is the mode it immediately returns to following a measurement.

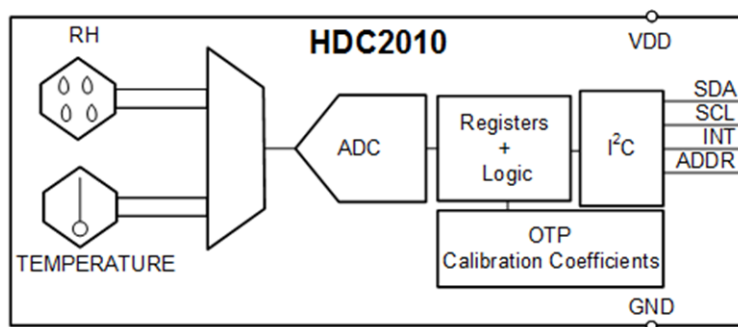


图 3. HDC2010 Functional Block Diagram

## 3 Hardware, Software, Testing Requirements, and Test Results

### 3.1 Required Hardware and Software

The meter board kit includes everything needed to get started. Simply ensure that the battery is placed correctly in its holder and the HDC2010 will perform its measurements to be displayed on the LCD.

#### 3.1.1 Hardware

---

注: The HDC2010METER-EVM requires a Panasonic CR2032 coin cell battery which is not included.

---

The meter kit includes:

- MSP430FR5969 MCU
- Three push-button switches
- HDC2010 humidity and temperature sensor
- LSO13B7DH03 LCD
- 32-kHz FC- 135 32.7680KA-A3 crystal
- Associated discrete components

#### 3.1.2 Software

This reference design ships pre-loaded with software for its MSP430FR5969 MCU. When the battery is loaded, the display shows a Texas Instruments splash screen and then proceeds to display the current temperature and humidity. The rest of this section details the operation of the software. Included with this reference design is a software package that contains a Code Composer Studio™ (CCS) project designed for the MSP430FR5969 MCU. For proper evaluation, import the CCS project into CCS v7.3 or later with TI Compiler v16.9.4.LTS or later.

After reset or power-on, several hardware initializations take place. All GPIO pins are configured as outputs and driven to logic low to save power. The pins that are used are then reconfigured for their intended purpose. The MSP430 MCU's internal oscillator, known as DCO, is configured for 8 MHz and connected to the internal signals SMCLK and MCLK. The external 32-kHz real-time crystal (RTC) is connected to the low-frequency clock inputs (LFXT), so the LFXT is configured as the source of the internal signal ACLK (Aux Clock). TIMER A is configured as a counter with ACLK as the source. Conveniently, a count of 32768 ( $2^{15}$ ) is equivalent to 1 second, a count of 16384 ( $2^{14}$ ) is equivalent to a half second, and so on. The eUSCI B0 peripheral is configured for I2C communication with the HDC2010 device. Finally, the eUSCI A1 peripheral is configured for SPI use with the Sharp® display, and the Sharp display is initialized. The next step in the software is to begin the loop.

On each iteration, the MSP430 MCU begins by checking the state of the button S1 and setting the Celsius and Fahrenheit variable. An I2C Write transaction is then performed to instruct the HDC2010 to begin a temperature and humidity measurement. This measurement takes a few milliseconds (for conversion time, see [HDC2010 Low Power Humidity and Temperature Digital Sensors](#)), so the MSP430FR5969 is configured for LPM4 during the down time. After TIMER A interrupts and resumes, the temperature and humidity data is retrieved from the HDC2010. The values for temperature and humidity are converted to characters using the tmpdecode.c library. This library is designed to provide string conversion without loss of 16-bit precision, but it can be adjusted for less precision. Finally, the temperature and humidity strings update the display, and the MSP430FR5969 returns to LPM4 for 2 seconds before looping.

### 3.1.2.1 Programming

The HDC2010 meter can be flashed or debugged using the Spy-By-Wire (SBW) interface. The MSP430FR5969's SBW interface is available at header J1 pins TEST and RST. Connect these pins, and GND/VCC as appropriate, to an MSP430 LaunchPad™ or a standalone debugger such as MSP-FET. For more information, see [MSP Debuggers](#).

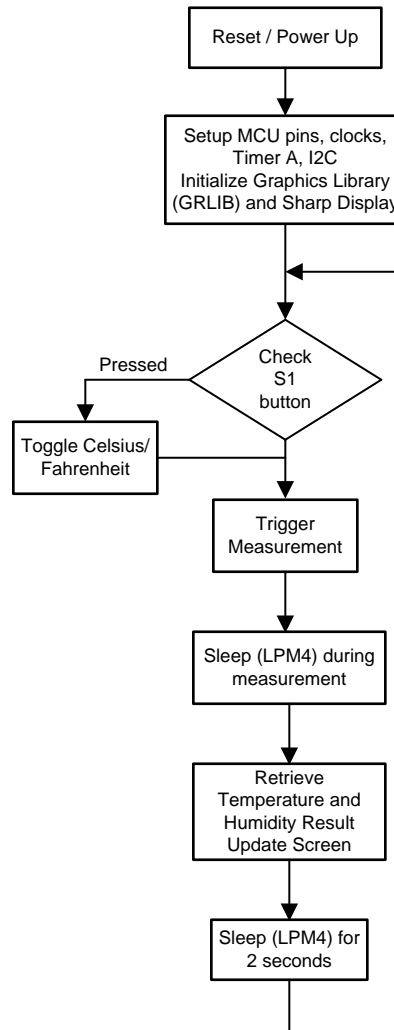


图 4. Software Flow Chart



## 3.2 Testing and Results

### 3.2.1 Test Setup

Although the current consumption of the system in its inactive mode is clearly defined by summing each inactive mode current specification in device data sheets, it is not so clear when the devices are active. Therefore, this test is set up to measure the current consumption of the system in active mode. The measurement is taken using a small series resistor connected to a simple instrumentation amplifier to perform a differential measurement across the resistor. This arrangement is used because the standard probes of an oscilloscope can only take single-ended measurements.

### 3.2.2 Test Results

图 5 yields the current consumption of the system while it is in its active mode:

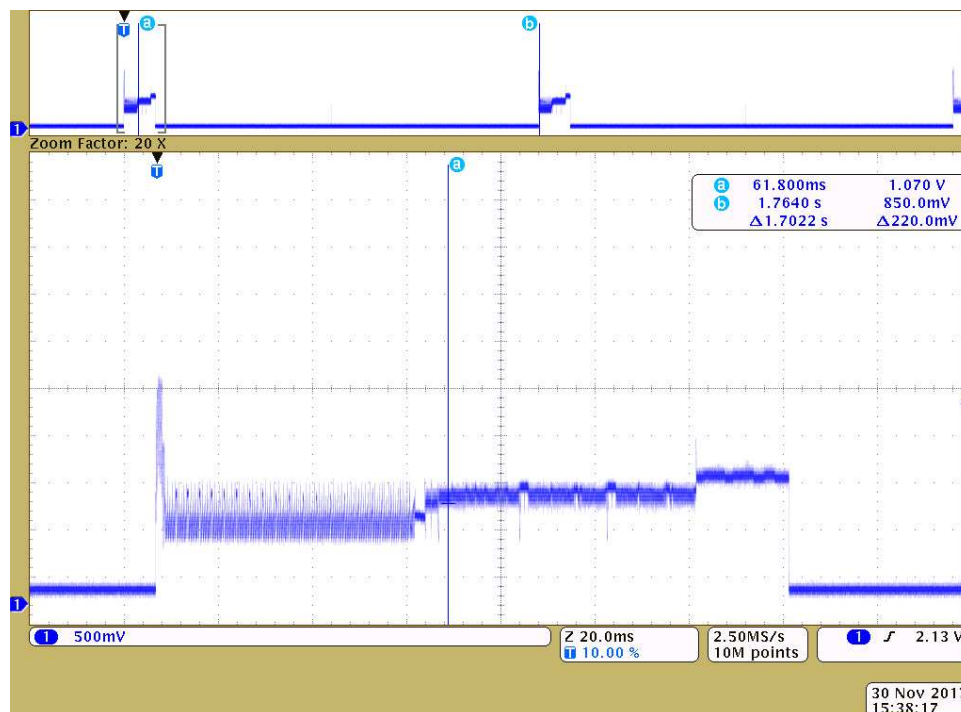


图 5. System Current Consumption

Because the gain of the instrumentation amplifier is programmed to 1000, the 1.07-V measurement highlighted by cursor A corresponds to 1.07 mA consumed by the system. The transactions taking place during the system's active mode cycle are as follows:

1. MSP430 MCU wakes up due to interrupt from Timer A.
2. MSP430 MCU communicates with the HDC2010 through I2C.
3. MSP430 MCU decodes information provided by HDC2010.
4. MSP430 MCU communicates with the LCD through SPI to update the display.



These transactions are reflected in the oscilloscope capture whenever the voltage signal steps up. After these operations take place, the MSP430 MCU returns to standby mode (LPM4), the HDC2010 returns to sleep mode, and the LCD returns to its low power consumption mode. During the active mode transactions, the system consumes between 0.80 mA to 1.40 mA. Because the active mode cycle is occurring about every 2 seconds, this active mode occurs 1800 times per hour. The active mode transactions each take about 100 ms to perform, so for 6.65% of an hour, the system is in active mode.

The blue arrow indicates the system current consumption in LPM4 (shutdown). Shutdown current consumption includes the MSP430 MCU, HDC2010, and LCD in shutdown modes. The current consumption of a typical system shutdown is about 130  $\mu$ A.

公式 2 yields an estimate for the expected battery life of the CR2032:

$$\text{Battery Life (hours)} = \frac{\text{Nominal Battery Capacity (mAh)} \times \% \text{ of the hour spent active}}{\text{Active Mode Current Consumption (mA)}} + \frac{\text{Nominal Battery Capacity (mAh)} \times \% \text{ of the hour spent inactive}}{\text{Inactive Current Consumption (mA)}} \quad (2)$$

## 4 Design Files

### 4.1 Schematics

To download the schematics, see the design files at [TIDA-01625](#).

### 4.2 Bill of Materials

To download the bill of materials (BOM), see the design files at [TIDA-01625](#).

### 4.3 PCB Layout Recommendations

#### 4.3.1 Layout Considerations for MSP430FR5969 MCU

- Ground and short traces for the external crystal to reduce parasitic capacitance.
- Bypass capacitors on DVCC, AVCC, and the reference pins if used.
- Avoid routing any high-frequency signals close to an analog signal line. For example, keep digital switching signals like a PWM or JTAG signals away from the oscillator circuit.
- For a detailed description of PCB layout considerations, see [Circuit Board Layout Techniques](#). This document is written primarily about op amps, but the guidelines are generally applicable for all mixed-signal applications.
- Consider proper ESD level protection to protect the device form unintended high-voltage electrostatic discharge. For more guidelines, see [MSP430™ System-Level ESD Considerations](#).

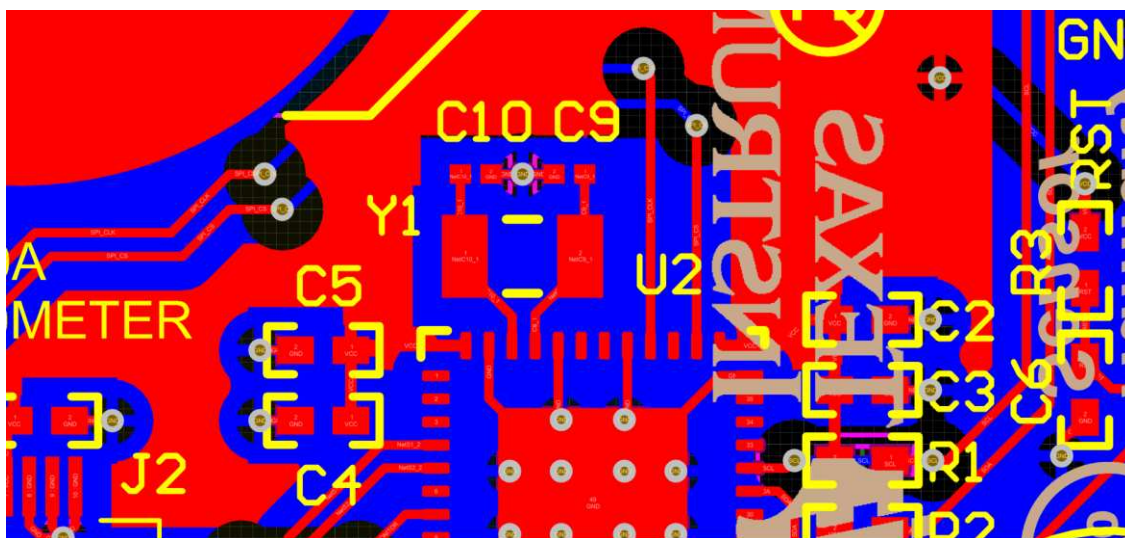


图 6. External Crystal Consideration

### 4.3.2 Layout Considerations for HDC2010 Humidity Sensor

Isolate the humidity sensor from the rest of the PCB by eliminating copper layers below the device (GND, VDD) and creating a slot into the PCB around the sensor to enhance thermal isolation.

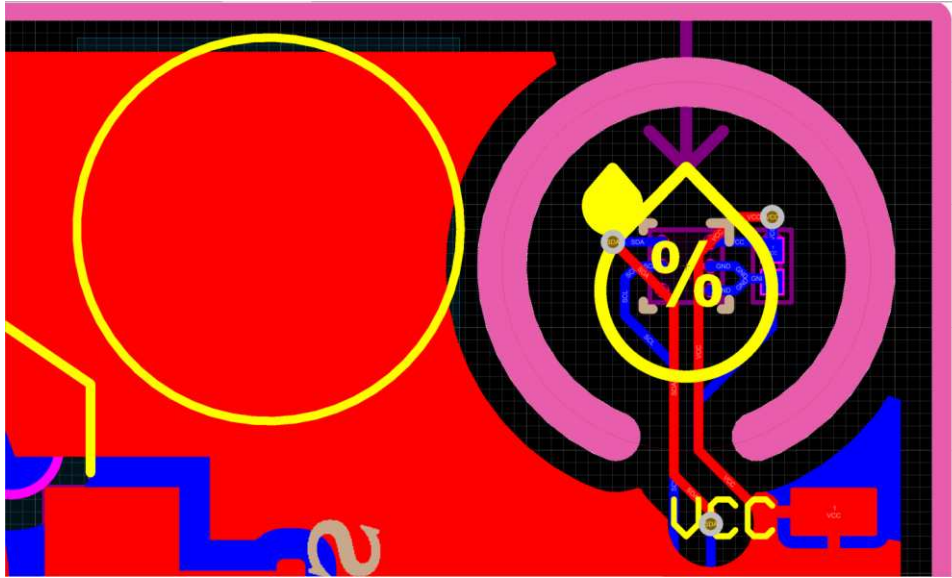


图 7. HDC Sensing Island

### 4.3.3 Layout Prints

To download the layer plots, see the design files at [TIDA-01625](#).

### 4.4 Altium Project

To download the Altium project files, see the design files at [TIDA-01625](#).

### 4.5 Gerber Files

To download the Gerber files, see the design files at [TIDA-01625](#).

### 4.6 Assembly Drawings

To download the assembly drawings, see the design files at [TIDA-01625](#).

## 5 Software Files

To download the software files, see the design files at [TIDA-01625](#).

## 6 Related Documentation

1. Texas Instruments, [HDC2010 Low Power Humidity and Temperature Digital Sensors Data Sheet](#)
2. Texas Instruments, [MSP430FR59xx Mixed-Signal Microcontrollers Data Sheet](#)
3. Texas Instruments, [Load Switches: What Are They, Why Do You Need Them And How Do You Choose The Right One? Application Report](#)
4. Texas Instruments, [TIDA-00461 IO-Link Firmware Update Reference Design Leveraging MSP430™ FRAM Technology Design Guide](#)

### 6.1 商标

E2E, MSP430, Code Composer Studio, LaunchPad are trademarks of Texas Instruments.  
Sharp is a registered trademark of Sharp Corporation.  
All other trademarks are the property of their respective owners.

## 有关 TI 设计信息和资源的重要通知

德州仪器 (TI) 公司提供的技术、应用或其他设计建议、服务或信息，包括但不限于与评估模块有关的参考设计和材料（总称“TI 资源”），旨在帮助设计人员开发整合了 TI 产品的应用；如果您（个人，或如果是代表贵公司，则为贵公司）以任何方式下载、访问或使用了任何特定的 TI 资源，即表示贵方同意仅为该等目标，按照本通知的条款进行使用。

TI 所提供的 TI 资源，并未扩大或以其他方式修改 TI 对 TI 产品的公开适用的质保及质保免责声明；也未导致 TI 承担任何额外的义务或责任。TI 有权对其 TI 资源进行纠正、增强、改进和其他修改。

您理解并同意，在设计应用时应自行实施独立的分析、评价和判断，且应全权负责并确保应用的安全性，以及您的应用（包括应用中使用的 TI 产品）应符合所有适用的法律法规及其他相关要求。就您的应用声明，您具备制订和实施下列保障措施所需的一切必要专业知识，能够 (1) 预见故障的危险后果，(2) 监视故障及其后果，以及 (3) 降低可能导致危险的故障几率并采取适当措施。您同意，在使用或分发包含 TI 产品的任何应用前，您将彻底测试该等应用和该等应用所用 TI 产品的功能而设计。除特定 TI 资源的公开文档中明确列出的测试外，TI 未进行任何其他测试。

您只有在为开发包含该等 TI 资源所列 TI 产品的应用时，才被授权使用、复制和修改任何相关单项 TI 资源。但并未依据禁止反言原则或其他法律授予您任何 TI 知识产权的任何其他明示或默示的许可，也未授予您 TI 或第三方的任何技术或知识产权的许可，该等许可包括但不限于任何专利权、版权、屏蔽作品权或与使用 TI 产品或服务的任何整合、机器制作、流程相关的其他知识产权。涉及或参考了第三方产品或服务的信息不构成使用此类产品或服务的许可或与其相关的保证或认可。使用 TI 资源可能需要您向第三方获得对该等第三方专利或其他知识产权的许可。

TI 资源系“按原样”提供。TI 兹免除对 TI 资源及其使用作出所有其他明确或默示的保证或陈述，包括但不限于对准确性或完整性、产权保证、无复发故障保证，以及适销性、适合特定用途和不侵犯任何第三方知识产权的任何默认保证。

TI 不负责任何申索，包括但不限于因组合产品所致或与之有关的申索，也不为您辩护或赔偿，即使该等产品组合已列于 TI 资源或其他地方。对因 TI 资源或其使用引起或与之有关的任何实际的、直接的、特殊的、附带的、间接的、惩罚性的、偶发的、从属或惩戒性损害赔偿，不管 TI 是否获悉可能会产生上述损害赔偿，TI 概不负责。

您同意向 TI 及其代表全额赔偿因您不遵守本通知条款和条件而引起的任何损害、费用、损失和/或责任。

本通知适用于 TI 资源。另有其他条款适用于某些类型的材料、TI 产品和服务的使用和采购。这些条款包括但不限于适用于 TI 的半导体产品 (<http://www.ti.com/sc/docs/stdterms.htm>)、[评估模块](http://www.ti.com/sc/docs/sampters.htm)和样品 (<http://www.ti.com/sc/docs/sampters.htm>) 的标准条款。

邮寄地址：上海市浦东新区世纪大道 1568 号中建大厦 32 楼，邮政编码：200122  
Copyright © 2018 德州仪器半导体技术（上海）有限公司