

TI 参考设计: TIDA-01255 车用增强型隔离 CAN 参考设计



说明

TIDA-01255 设计专为汽车环境中广泛使用的隔离式 CAN 通信而打造。在混合动力车辆和电动车辆 (HEV/EV) 中, 完整的高电压网络会相对于机箱接地浮动。对于连接在高电压到低电压浮动系统之间的电源和通信通道, 则需要使用隔离。TIDA-01255 设计支持通过简单隔离式变压器驱动器来传输功率的应用。该 TI 参考设计具有低传输延迟, 可降低环路延迟并支持较高的 CAN 波特率。

资源

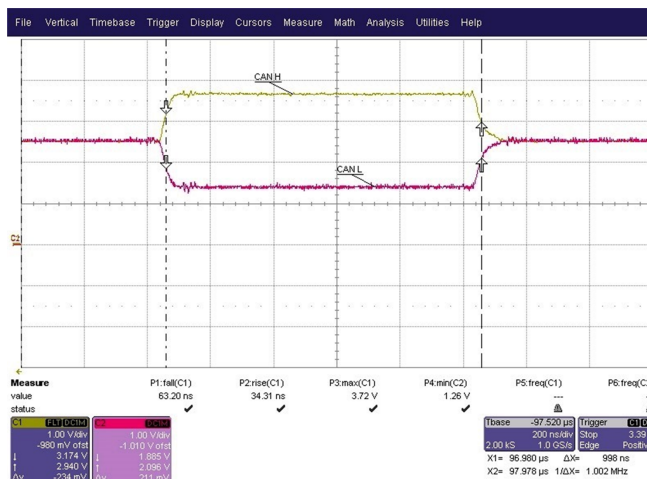
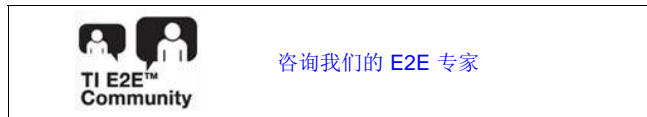
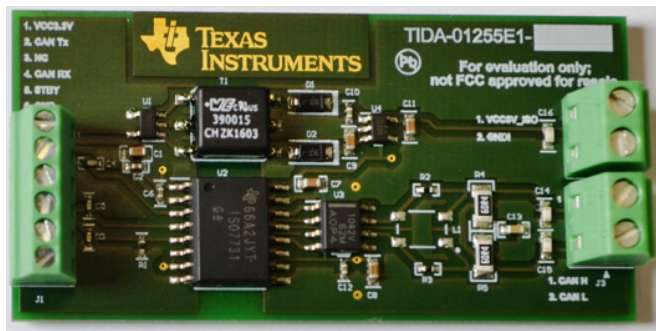
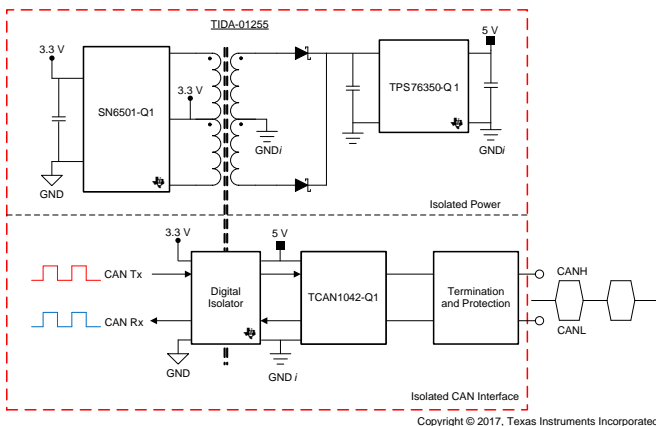
- TIDA-01255 设计文件夹
- TCAN1042-Q1 产品文件夹
- SN6501-Q1 产品文件夹
- ISO7731-Q1 产品文件夹
- TPS76350-Q1 产品文件夹
- TMS570 产品文件夹

特性

- 灵活的高速 CAN 通信
- 低环路延迟 (通常为 136ns), 支持高仲裁速率
- 750mW 功率传输, 具有 3kV 隔离功能
- 增强型数字隔离
- $\pm 70V$ 总线故障保护
- 成本敏感型终端, 具有内部 ESD 保护功能
- 符合 ISO 11898-2 CAN 标准

应用

- 电池监控系统
- 电池控制单元
- 混合动力电动车辆 (HEV/EV)





该 TI 参考设计末尾的重要声明表述了授权使用、知识产权问题和其他重要的免责声明和信息。

1 System Description

A Controller Area Network (CAN) is widely used in automotive industry to replace the complex wiring harness with a two-wire bus. It is highly immune to electrical interference and it has ability to self-diagnose and repair data errors. These features have led to CAN's popularity and extended its application in building automation, medical, and manufacturing. The TIDA-01255 design is targeted to improve the system and CAN performance for automotive isolated ground applications such as cell supervision units, battery control units, inverters, chargers, and so on.

CAN manages message collision and provides a unique proving ground for protocol compliance in any application. Any CAN node may begin to transmit when the bus is free, and two or more nodes may begin to transmit simultaneously. Arbitration is the process by which these nodes battle for control of the bus. Proper arbitration is critical to CAN performance because this is the mechanism that guarantees that message collisions do not reduce bandwidth or cause messages to be lost. Each data or remote frame begins with an identifier, which assigns the priority and content of the message. As the identifier is broadcast, each transmitting node compares the value received on the bus to the value being broadcast. The higher priority message during a collision has a dominant bit earlier in the identifier. Therefore, if a transmitting node senses a dominant bit on the bus in place of the recessive bit it transmitted, it interprets this as another message with higher priority transmitting simultaneously. This node suspends transmission before the next bit and automatically retransmits when the bus is idle.

The evolution of automotive architectures and need for efficient power train and vehicle control mechanisms increased the demand for the number of nodes in vehicles (both passenger and commercial). Improvement in safety architectures increases demand for internal diagnosis and data sharing between multiple nodes with faster response times. The number of nodes to transmit and data loads push the limits of the CAN baud rates while staying within its advantages of reliable robust communication. CAN FD (flexible data rate) is one such flavor of CAN communications, which gained popularity for its flexibility of retaining the features of basic CAN (no change to physical layer) and supports high data rates with little rise in system cost.

Loop delays and round-trip delays are limiting factors in determining arbitration and data speeds (b/s) in classical CAN. In CAN FD, loop delay and network propagation delay are the major limiting factors during the arbitration phase. During the data phase, a secondary sampling point plays an important role for synchronizing data in transmitters. Transceiver delay compensation, which is nothing but a loop delay and offset, is used to check the previously transmitted data with secondary sample registers and check for bit errors.

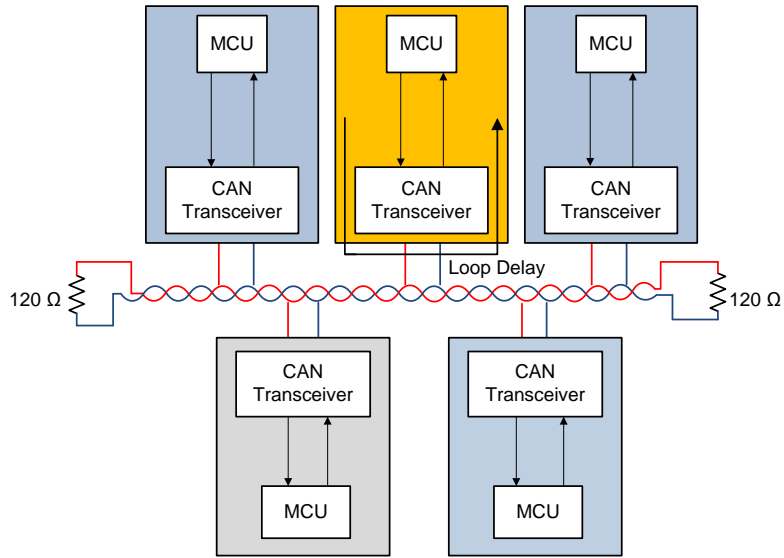


图 1. Typical CAN Network

In typical ICE vehicles, loop delay and round-trip delay are straight forward to configure the transceiver delay compensation.

- Transceiver delay compensation = Loop delay + Offset

Factors to influence loop delay in a typical CAN (non-isolated):

- Impedance of controller to transceiver interface
- Transceiver Tx-Rx delay time (dominant or recessive)
- CAN bus impedance

HEV/EV or 48-V systems are isolated from chassis ground based on system architecture. Power and communication interfaces are isolated in high-voltage systems; ground loops are just insulated for 48-V applications. Based on the design of control units, CAN transceivers are isolated from micro controllers as shown in 图 2. In this case, transceiver delay compensation is increased based on the delay in the digital isolator.

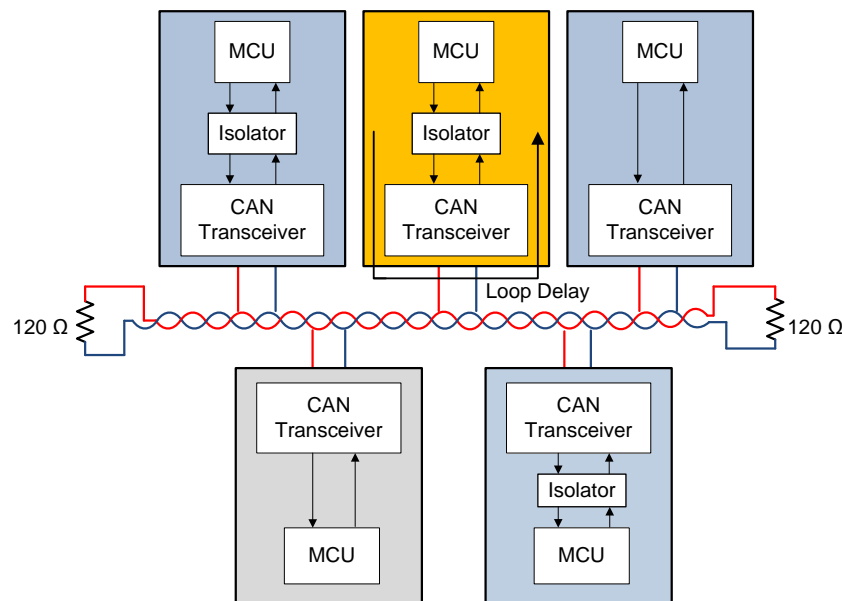


图 2. Isolated HEV/EV or 48-V Systems

Factors to influence loop delay in an isolated CAN:

- Impedance of controller to digital isolator
- Propagation delay of digital isolator
- Impedance of digital isolator to CAN interface
- Transceiver Tx-Rx delay time (dominant or recessive)
- CAN bus impedance

Digital isolators play an important role in calculating loop delay. The propagation delay of digital isolators has to account twice for the loop delay calculations in isolated CAN communication bus. Neglecting the bus and controller impedance loop delay of isolated CAN is shown in 图 3.

Transceiver loop delay compensation = $2 \times$ Propagation delay of isolator + Loop delay of Tx to Rx of CAN transceiver

In a multi-master system such as CAN, it is also important to consider the round-trip delay, which supports in gaining the arbitration of communication bus when two nodes starts transmission at the same time. The maximum round-trip delay or propagation delay in HEV/EV depends on the topology or mounting location of various electronic control units in the vehicle.

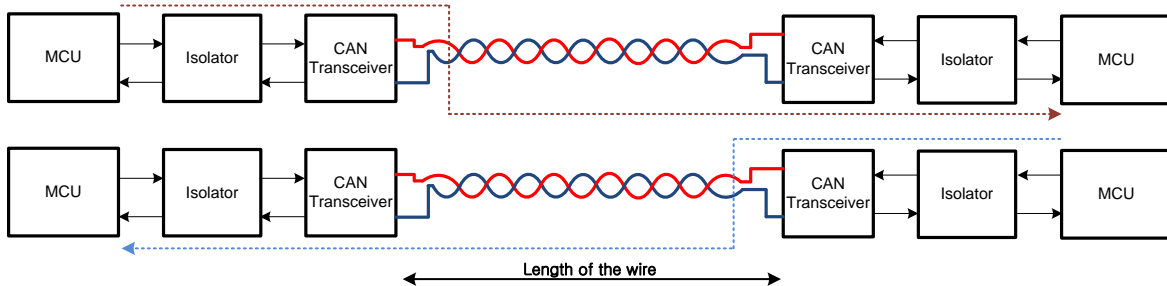


图 3. Round-Trip Delay in HEV/EV

Factors to influence round-trip or propagation delay in isolated CAN:

- Impedance of controller to digital isolator
- Propagation delay of digital isolator
- Impedance of digital isolator to CAN interface
- Transceiver Tx-Rx delay time (dominant or recessive)
- CAN bus impedance
- Length of the wire

Based on the CAN physical layer, round-trip delay can be less significant. Neglecting the impedance delays and internal software delays, the approximate round-trip delay of two isolated CAN ECUs can be calculated as per the following equation:

$$\text{Round-trip delay} = 2 \times (\text{Propagation delay of digital isolator 1} + \text{Propagation of CAN1 Tx to bus} + \text{Propagation delay of wire} + \text{Propagation delay of CAN2 bus to Rx} + \text{Propagation delay of digital isolator 2})$$

1.1 Key System Specifications

表 1. Key System Specifications

PARAMETER	CONDITIONS	MIN	TYP	MAX
TIDA-01255 loop delay	CAN1 Tx to CAN1 Rx	—	136 ns	—
Dominant Tx to CAN bus	$R_L = 60 \Omega$, $C_L = 4.7 \text{ nF}$	—	67 ns	—
Recessive Tx to CAN bus	1-m wire with $R_L = 60 \Omega$, $C_L = 4.7 \text{ nF}$	—	69 ns	—
Dominant CAN1 Tx to CAN2 Rx	$R_L = 60 \Omega$, $C_L = 4.7 \text{ nF}$	—	115 ns	—
Recessive CAN1 Tx to CAN2 Rx	$R_L = 60 \Omega$, $C_L = 4.7 \text{ nF}$	—	151 ns	—
Rise time of CANH	1-m wire with $R_L = 60 \Omega$, $C_L = 4.7 \text{ nF}$	30 ns	33 ns	34.31 ns
Fall time of CANH	1-m wire with $R_L = 60 \Omega$, $C_L = 4.7 \text{ nF}$	60.4 ns	64 ns	66 ns
Operating current of TIDA-01255	CAN baud rate: 500 kbps Isolated supply: 3.3 V	—	12 mA	—
Current flowing while SCB at CAN lines	Battery voltage = 14 V Tx = Low, CAN dominant state	—	0.862 mA	—
Current flowing while SCG at CAN lines	Tx = Low, CAN dominant state	—	0.189 mA	—
Current flowing while SCG at CAN lines during communication at 2 Mbps	Communication is working fine	—	1.29 mA	—

表 1. Key System Specifications (continued)

PARAMETER	CONDITIONS	MIN	TYP	MAX
Current flowing while CAN lines are shorted to battery with -14 V	No damages to CAN lines	—	1.257 mA	—

2 System Overview

2.1 Block Diagram

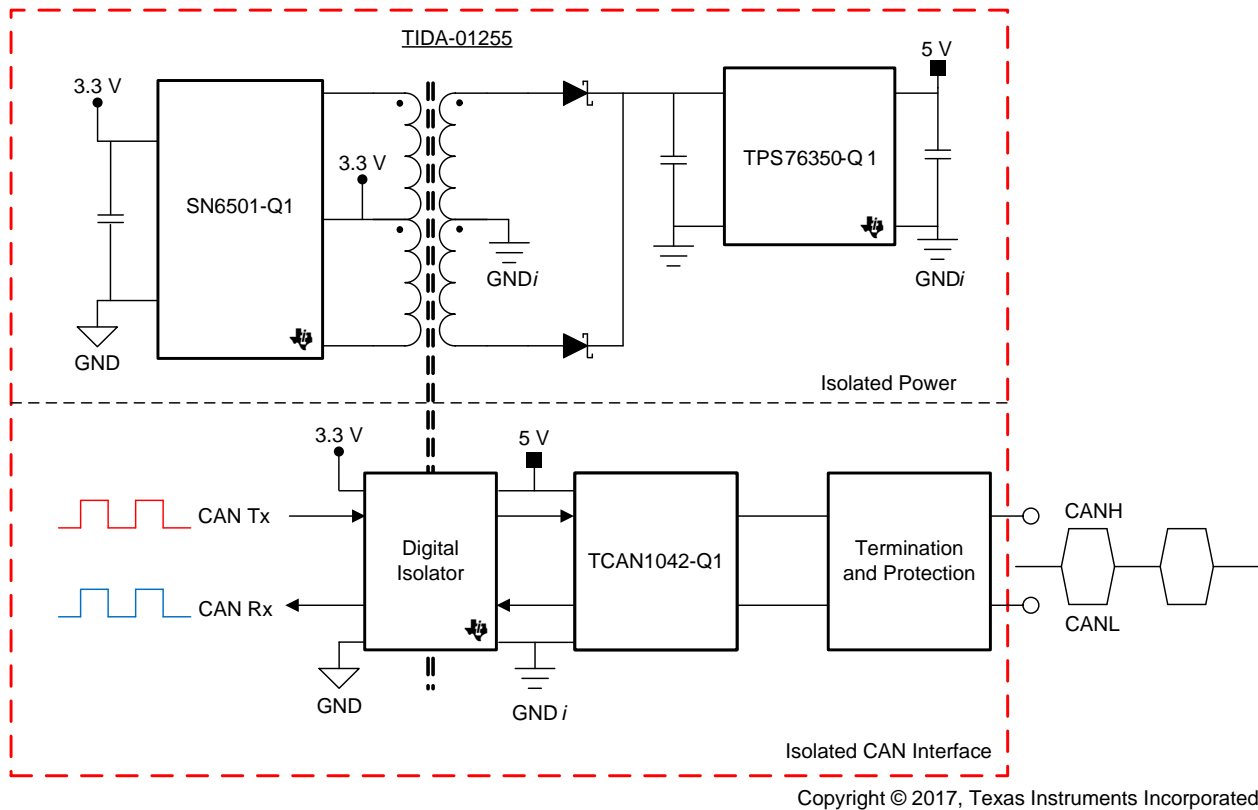


图 4. TIDA-01255 Block Diagram

2.2 Highlighted Products

2.2.1 TCAN1042-Q1

This CAN transceiver family meets the ISO 11898-2 (2016) High-Speed CAN physical layer standard. All devices in the TCAN1xxx family are designed for use in CAN FD networks up to 2 Mbps. Devices with part numbers that include the "G" suffix are designed for data rates up to 5 Mbps, and versions with the "V" suffix have a secondary power supply input for I/O level shifting the input pin thresholds and RXD output level. This family has a low-power standby mode with remote wake request feature. Additionally, all devices include many protection features to enhance device and network robustness.

Key features of the TCAN1042-Q1 include:

- AEC Q100: Qualified for automotive applications
- Supports 2-Mbps CAN FD and "G" options support 5 Mbps
- Short and symmetrical propagation delay times and fast loop times for enhanced timing margin
- High impedance bus and logic terminals
- HBM ESD protection: ± 16 kV
- IEC ESD protection: up to ± 15 kV
- Bus fault protection: ± 58 V (non-H variants) and ± 70 V (H variants)

- Undervoltage protection on VCC and VIO (V variants only) supply terminals
- Typical loop delay: 110 ns

2.2.2 ISO7731-Q1

The ISO7731-Q1 is a high-performance, triple-channel digital isolator with 5000- V_{RMS} (DW package) and 2500- V_{RMS} (DBQ package) isolation ratings per UL 1577. This device has reinforced insulation ratings according to VDE, CSA, TUV and CQC. The ISO7731-Q1 provide high electromagnetic immunity and low emissions at low power consumption, while isolating CMOS or LVCMOS digital I/Os. Each isolation channel has a logic input and output buffer separated by a silicon dioxide (SiO₂) insulation barrier. This device comes with enable pins that can be used to put the respective outputs in high impedance for multi-master driving applications and to reduce power consumption. The ISO7731-Q1 device has two forward and one reverse-direction channel. If the input power or signal is lost, the default output is high for devices without the suffix F and low for devices with the suffix F.

Key features of the ISO7731-Q1 include:

- AEC-Q100 qualified with -40°C to 125°C ambient operating temperature
- Signaling rate up to 100 Mbps
- Wide supply and level translation from 2.25 to 5.5 V
- Low power consumption, typical 1.5 mA per channel at 1 Mbps
- Low propagation delay: 11 ns typical (5-V supplies)
- Isolation barrier life: > 40 years
- Reinforced insulation per DIN V VDE V 0884- 10 (VDE V 0884-10):2006-12
- 5000- V_{RMS} (DW) and 2500- V_{RMS} (DBQ) isolation rating per UL 1577
- TUV certification according to EN 60950-1 and EN 61010-1

2.2.3 SN6501-Q1

The SN6501-Q1 is a transformer driver designed for low-cost, small form-factor, isolated DC-DC converters using push-pull topology. The device includes an oscillator that feeds a gate drive circuit. The gate drive, comprising a frequency divider and a break-before-make (BBM) logic, provides two complementary output signals that alternately turn the two output transistors on and off. The output frequency of the oscillator is divided down by an asynchronous divider that provides two complementary output signals with a 50% duty cycle. A subsequent BBM logic inserts a dead time between the high-pulses of the two signals. The resulting output signals, present the gate-drive signals for the output transistors. As shown in 图 5, before either one of the gates can assume logic high, there must be a short time period during which both signals are low and both transistors are high impedance. This short period, known as BBM time, is required to avoid shorting out both ends of the primary.

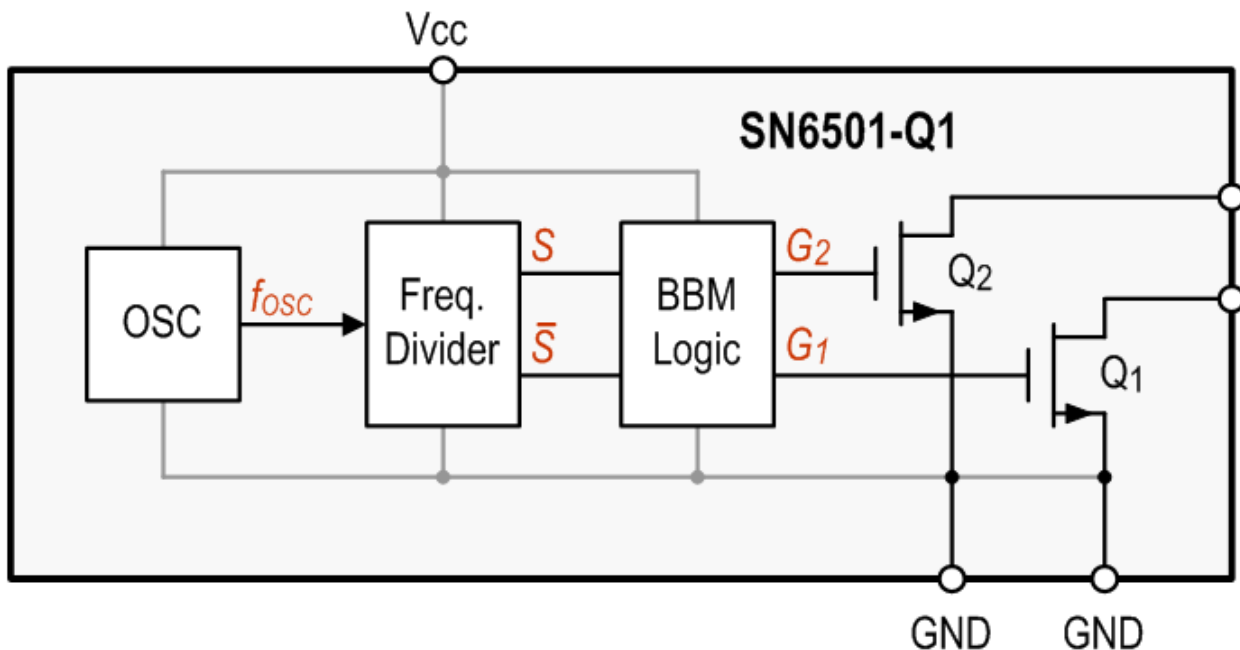


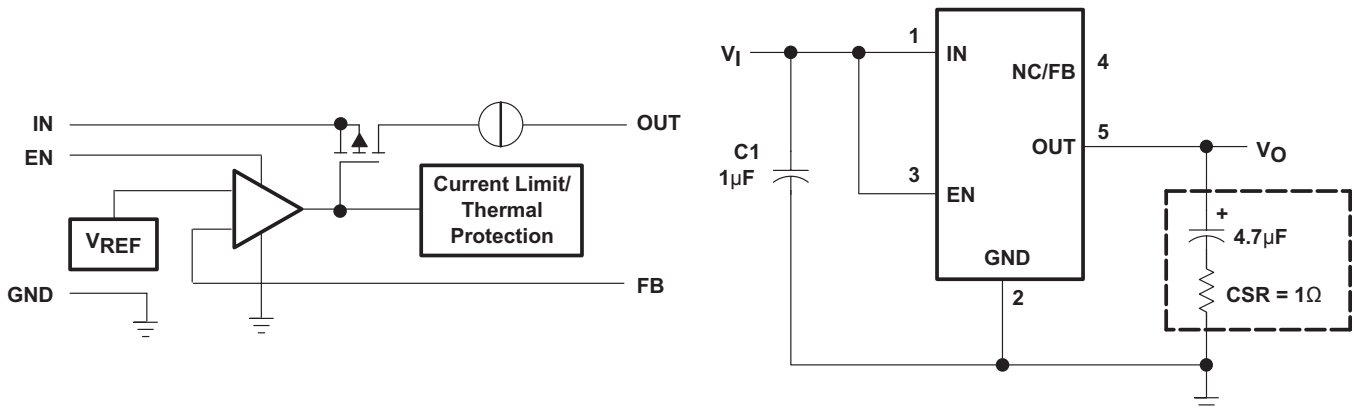
图 5. SN6501-Q1 Block Diagram

Key features of the SN6501-Q1 include:

- AEC-Q100 qualified with -40°C to 125°C ambient operating temperature
- Push-pull driver for small transformers
- High primary-side current drive, 5-V supply: 350 mA (max)
- High primary-side current drive, 3.3-V supply: 150 mA (max)
- Single 3.3- or 5-V supply
- Low ripple on rectified output permits small output capacitors
- Device HBM ESD Classification Level H2
- Device CDM ESD Classification Level C4B
- Small 5-pin SOT-23 package

2.2.4 TPS67350-Q1

The TPS763xx-Q1 family of low-dropout (LDO) voltage regulators offers the benefits of LDO voltage, low-power operation, and miniaturized packaging. These regulators feature LDO voltages and quiescent currents compared to conventional LDO regulators. A combination of new circuit design and process innovation has enabled the usual PNP pass transistor to be replaced by a PMOS pass element. Because the PMOS pass element behaves as a low-value resistor, the dropout voltage is low—typically 300 mV at 150 mA of load current (TPS76333-Q1)—and is directly proportional to the load current. Because the PMOS pass element is a voltage-driven device, the quiescent current is low (140 μ A maximum) and stable over the entire range of output load current (0 to 150 mA). Intended for use in portable systems such as laptops and cellular phones, the LDO voltage feature and low-power operation result in a significant increase in system battery operating life.



Copyright © 2017, Texas Instruments Incorporated

图 6. TPS67350-Q1 Block Diagram and Application Circuit

Key features of the TPS67350-Q1 include:

- AEC-Q100 qualified with -40°C to 125°C ambient operating temperature
- 150-mA LDO
- Dropout voltage, typically 300 mV at 150 mA
- Thermal protection and overcurrent limitation
- Less than 2- μ A quiescent current in shutdown mode

3 System Design Theory

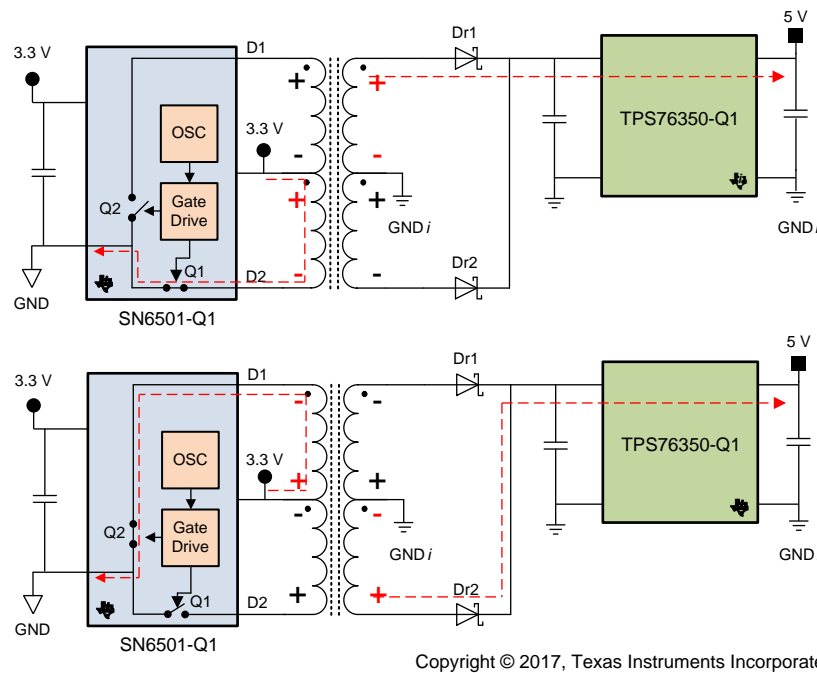
The Automotive Reinforced Isolation CAN Reference Design consists of the following subsystems:

- [Isolated Power Supply](#)
- [Isolated Communication](#)
- [CAN FD Communication](#)

3.1 Isolated Power Supply

Typical automotive batteries available in the market are 12 V, 24 V, 48 V, 100 V, 400 V, and 800 V. The list is not limited to the voltages specified in this design guide; they are based on application power levels of such batteries, which vary. Based on the application and design architecture, power can be derived (buck/boost) from local batteries. In few system architectures, energy will be transferred across isolation to support application or increase safety. Considering cost and performance, there are multiple approaches to get the required power across isolation.

The transformer driver is the simple, cost-effective, and efficient solution for isolated power transfers ≤ 2 W. The SN6501-Q1 is an automotive low-noise transformer driver is used for this TI Design. The SN6501-Q1 is a push-pull converter require transformers with center taps to transfer power from the primary to the secondary.



Copyright © 2017, Texas Instruments Incorporated

图 7. SN6501-Q1 Working Principle

The SN6501-Q1 consists of an oscillator that feeds a gate drive circuit. The gate drive, comprising a frequency divider and a break-before-make (BBM) logic, provides two complementary output signals that alternately turn the two output transistors on and off (Q1, Q2). The output frequency of the oscillator is divided down by an asynchronous divider that provides two complementary output signals with a 50% duty cycle. BBM logic maintains a dead-time between the high pulses of the two signals. The resulting output signals present the gate drive signals for the output transistors. This short period, known as BBM time, is required to avoid shorting out both ends of the primary.

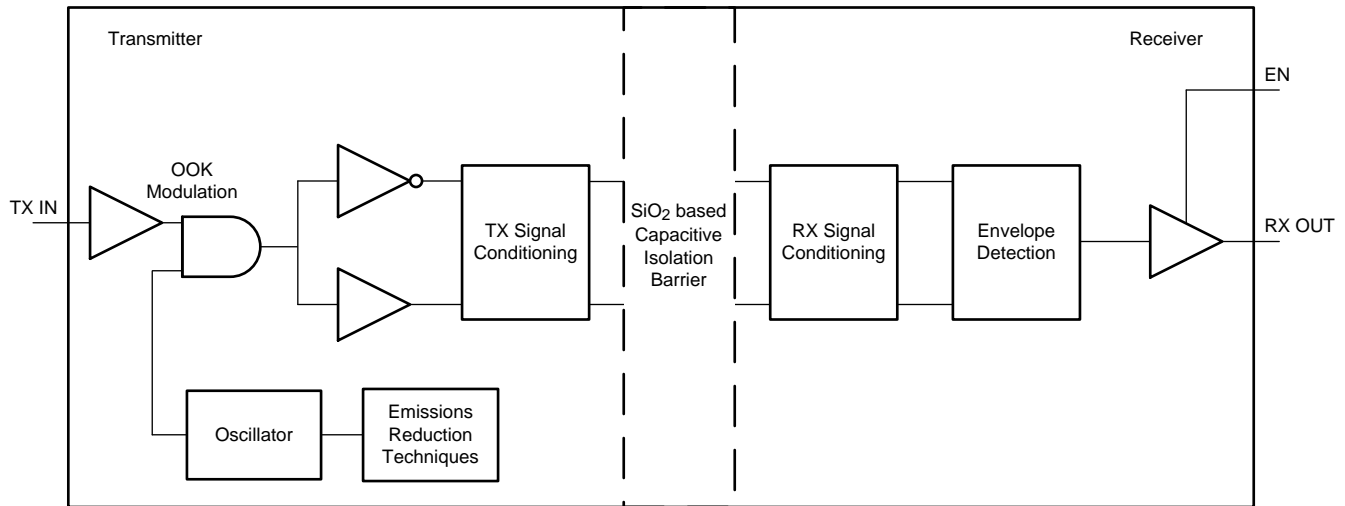
As shown in 图 7 when Q1 conducts, it creates a ground path for lower primary end of the center tap, 3.3 V drives a current through the lower half of the primary to ground. Current flowing in the primary winding of transformer will create magnetic flux which will cut the secondary winding. Based on the wiring of the transformer (shown as a dot convention), current will be flowing in the secondary coil. Dr1 is forward biased when Q1 is closed. The secondary current flows through Dr1, charges the capacitor, LDO (TPS76350-Q1), and returns through the load impedance back to the center tap or ground. A similar scenario repeats when Q2 is ON, resulting current flowing in Dr2. Based on the turns ratio and frequency of the SN6501-Q1, unregulated power is transferred across the isolation barrier.

The TPS76350-Q1 uses a PMOS pass element to reduce both dropout voltage and supply current. The PMOS pass element is a voltage-controlled device that does not require increased drive current as output current increases. The supply current of the TPS76350-Q1 is essentially constant from no load to maximum load. Current limiting and thermal protection prevent damage by excessive output current or power dissipation. The device switches into a constant-current mode at approximately 1 A; further load reduces the output voltage instead of increasing the output current. The thermal protection shuts the regulator off if the junction temperature rises above 165°C. Recovery of the LDO is automatic when the junction temperature drops approximately 25°C below the high temperature trip point. The PMOS pass element includes a back diode that safely conducts reverse current when the input voltage level drops below the output voltage level. Thus, the isolated supply is protected and regulated to 5 V and limited to 150 mA of the load current.

3.2 *Isolated Communication*

Isolation is typically required to prevent DC and unwanted AC currents between two parts of a system, while allowing signal and power transfer between those two parts. Electronic devices and semiconductor ICs used for isolation are called isolators. In general, an isolator can be abstracted as comprising of a high-voltage isolation component or barrier, a transmitter (TX) to couple signal into one side of the isolation component, and a receiver (RX) to convert the signal available on the other side of the isolation component into digital levels (see 图 8).

Isolation became mandatory in automotive industry due to the inception of high-voltage and multiple battery topologies. Considering the safety aspects in HEV/EV, there is a need to carry heavy payloads of data in less time to sync the status in various high-voltage components. The ISO 7731-Q1 uses on-off keying (OOK) based isolation communication architecture, which supports the reliable isolated data transfer at faster rates (see 图 9).



Copyright © 2016, Texas Instruments Incorporated

图 8. Conceptual Block Diagram

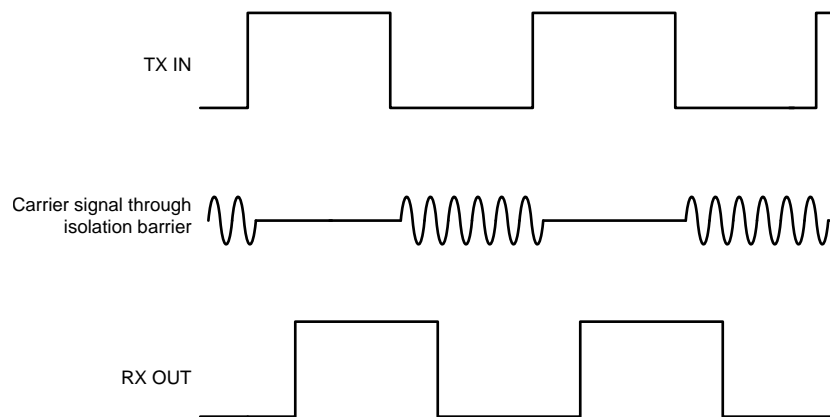


图 9. OOK Mechanism in ISO 7731-Q1

As per OOK architecture, incoming digital bitstream is modulated with an internal spread spectrum oscillator clock to generate OOK signaling, such that one of the input states is represented by transmission of a carrier frequency, and the other state by no transmission. This modulated signal is coupled to the isolation barrier and appears in an attenuated form on the receive side. The receive path consists of a pre-amplifier to gain up the incoming signal followed by an envelope detector that serves as a demodulator to regenerate the original digital pattern. The TX and RX signal conditioning circuits are used to improve the common-mode rejection of the channel resulting in better common-mode transient immunity (CMTI). Spread spectrum feature of the architecture will support emissions reduction. ISO 7731-Q1 with a wide body package can stand 5000 V_{RMS} or 3600 V_{PEAK} .

A typical propagation delay of 11 ns supports the safety and achieve high data rates up to 100 Mbps.

3.3 CAN FD Communication

CAN controllers play a significant role in configuring the CAN communication bus. Based on in-vehicle network topologies, there can be multiple CAN communication buses in a car. They can be classified based on various parameters such as function of electronic control units (body, powertrain, infotainment, ADAS, and so on), type of CAN, baud rates, and ground loops. Typically, CAN 2.0 can support data rates up to 500 kbps, CAN FD architectures can support data rates up to 5 Mbps and greater. While retaining core features of CAN, CAN FD comes up with greater benefits in data baud rates with a short rise in complexity and cost.

CAN FD had an impact on the microcontroller, crystal, and transceiver and little extent on the wiring harness (to support the EMC for high dates). The physical layer of CAN controllers needs to support the change in baud rates. Due to increased data rates, an appropriate crystal needs to be selected to support the CAN timings and error handling. CAN transceiver selection plays an important role for the EMC on CAN bus and delay calculations in CAN timing.

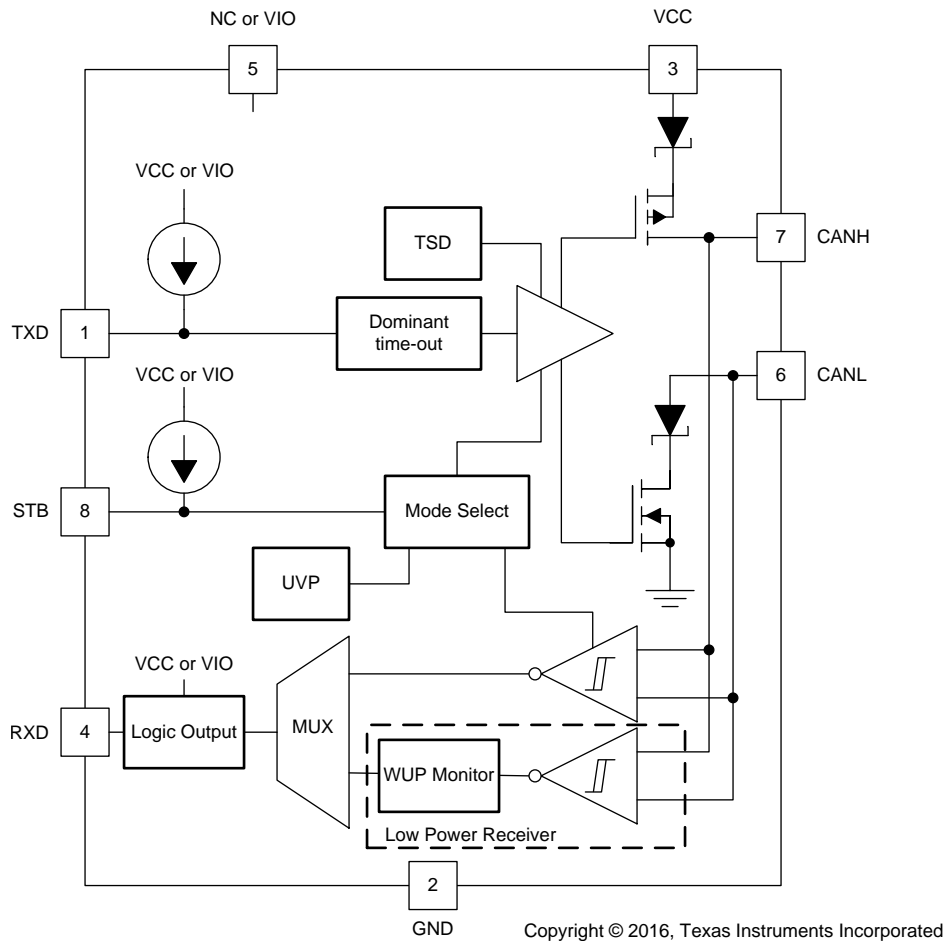


图 10. TCAN1042-Q1 CAN Transceiver

The TCAN1042-Q1 CAN transceiver meets the ISO 11898-2 (2016) High-Speed CAN physical layer standard (see 图 10). It is designed to support the high data rates up to 5 Mbps (G-version). The device has options to be compatible with 3.3- and 5-V TTL input by selecting the V_{IO} pin voltage appropriately. The dominant time out feature enables the CAN communication bus to be error free due to error in the microcontroller. If a dominant bit is being transmitted by the microcontroller, due to internal software or

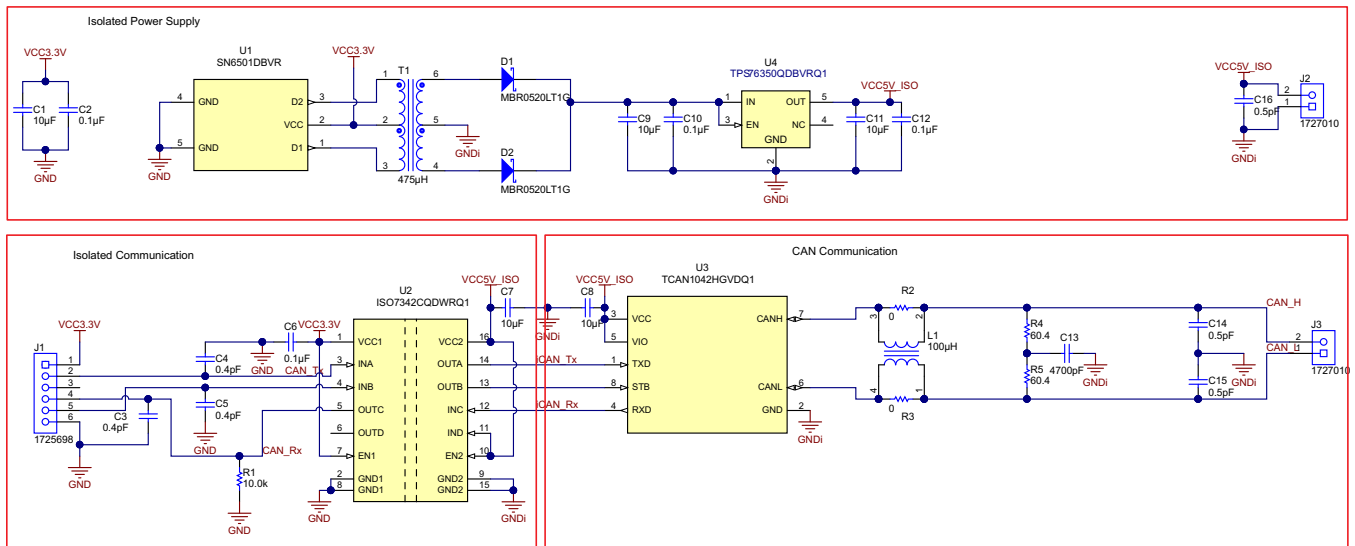
hardware issues, the controller does not respond any more, and the CAN transceiver will free up the communication bus after the dominant time out delay (minimum 1.2 ms or max 3.8 ms). The wake up monitor circuit allows low-power modes to the CAN transceiver and electronic control units. This feature saves the need for an external wake up pin and wire and allows the system to stay in standby mode. With an appropriate wake up pattern, electronic control units can be retrieved to a run state from sleep or standby states.

Thermal shutdown and short circuit current limit features in the TCAN1042-Q1 improves the reliability and robustness of CAN communication. During thermal shutdown, the device turns off the CAN driver circuits, thus blocking the TXD-to-bus transmission path, so CANH and CANL are biased to the recessive level during a thermal shutdown and the receiver-to-RXD path remains operational. CAN bus driver pins are protected by a short-circuit limit feature irrespective of the state of the input (dominant or recessive).

Transceiver delay plays an important role for the bit timing calculations in CAN FD. The total loop delay of the transceiver is typically 110 ns and worst case 175 ns, which is good enough to support high data rates.

4 Getting Started Hardware and Software

4.1 Hardware



Copyright © 2017, Texas Instruments Incorporated

图 11. TIDA-01255 Schematic

The SN6501-Q1 can be used to generate the isolated power less than 1 W. This can be used to generate the bias power, sensors, or light isolated loads (to power few IC's).

- Input power: 3.3 V, 150 mA
- Output power: 5 V, 100 mA

Detailed steps for designing the SN6501-Q1 are provided in the device datasheet. T1 is selected with a 1:2 ratio, which gives max regulated voltage from 6 to 7 V on the secondary side (pins 6,4 of T1). After the diode drop (D1,D2), the voltage at input of the TPS76350-Q1 will be around 6.5 V. The regulated output voltage of 5 V is generated from U4 of the TPS76350-Q1.

- C1,C2 are the filter capacitors, which are placed near the VCC pin of U1 of the SN6501-Q1.
- T1 is a center tapped transformer connected U1 is selected based on input and output voltage. A 475- μ H SMT transformer from 760390015 has been used for T1.
- D1 and D2 are Schottky diodes that are used for low forward voltage drop and rectify the output voltage.
- U4 of the TPS76350-Q1 is used to regulate the output voltage from the transformer driver, whereas C9,C10, C11, and C12 should be placed close to the U4 and are used to filter the output voltage.
- C6, C7 are the decoupling capacitors used for ISO 7731-Q1. C3, C4, and C5 are ESD capacitors used only on this board, based on ECU's layout these capacitors can be placed or neglected.
- U2 of ISO 7731-Q1 supports reinforced signal isolation for transferring CAN Tx, CAN Rx, and standby pins from controller to U3 (TCAN1042-Q1).

Either the common-mode choke L1 or bypass resistors R2,R3 are populated on the PCB. The common-mode choke is placed on the PCB based on EMC requirements of the ECU. R4, R5 and C13 is the popular split resistor termination used for CAN communication. C14 and C15 are the nominal ESD capacitors to be placed near the connector.

表 2 lists the important parameters for designing the isolated CAN interface with the TIDA-01255 design.

表 2. Isolated CAN Calculations

PARAMETER	MIN (ns)	TYP (ns)	MAX (ns)
Propagation delay of isolator (ISO7731-Q1)	6.0	11	16.0
Transceiver propagation delay time of TCAN1042-Q1 ($R_L = 60 \Omega$, $C_L = 100 \text{ pF}$)	—	110	175.0
Propagation delay of Tx to CAN bus	—	55	75.0
Propagation delay of CAN bus to Rx	—	50	65.0
Propagation delay of physical 1-m copper wire (estimation)	4.8	5	5.3
Approximate loop delay CAN message with TIDA-01225	—	132	208.0
Approximate round trip delay of CAN message with two TIDA-01255 boards located 30 m apart	—	454	556.0

4.2 Software

Software for the CAN is developed and generated based on customer requirements and the microcontroller of the ECU. The CAN calculation table can be used for internal baud rate calculations. TIDA-01255 hardware can be tested directly interfacing with the microcontroller of the ECU. The TIDA-01255 can be tested directly by interfacing with TMS570 LaunchPad™ devices.

Hardware Abstraction Layer Code Generator (HALCoGen) and Code Composer Studio™ (CCS) can be used to generate the software to test the CAN interface. Follow the instructions provided in Hercules™ LaunchPad.

1. Download and Install [HALCoGen](#), [Code Composer Studio](#).
2. Open the HALCoGen SW → File → New → Project.
3. Select the microcontroller family for the LaunchPad. Select the appropriate device. Give the user defined project name and select a location to save the project.

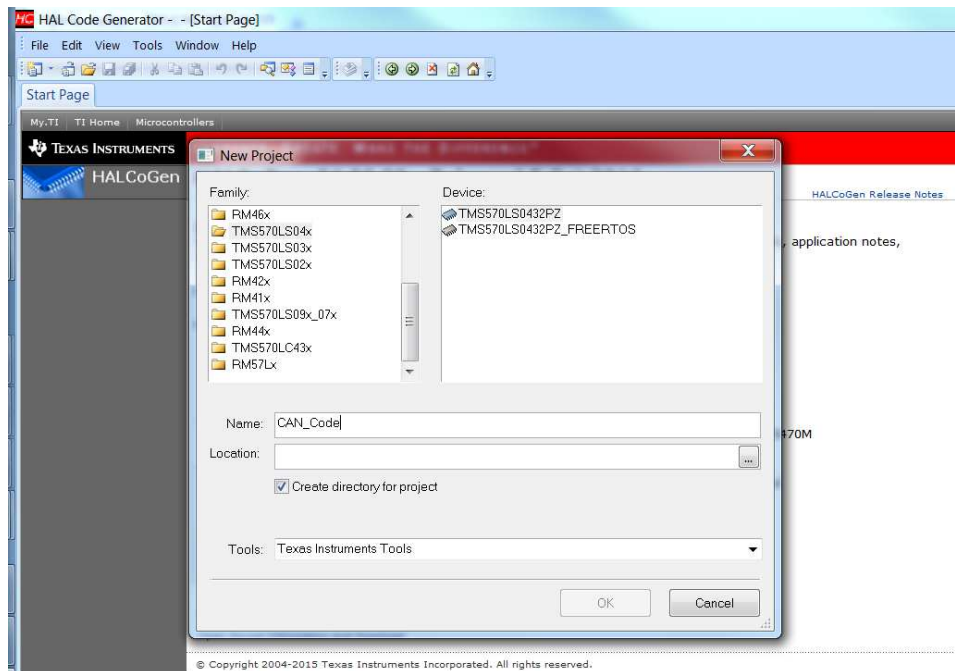


图 12. HALCoGen Project Creation

4. Select the driver enable, and unmark all drivers. Based on the scope of the project, select the appropriate drivers such as CAN, GIO, SCI, ADC, and so on.

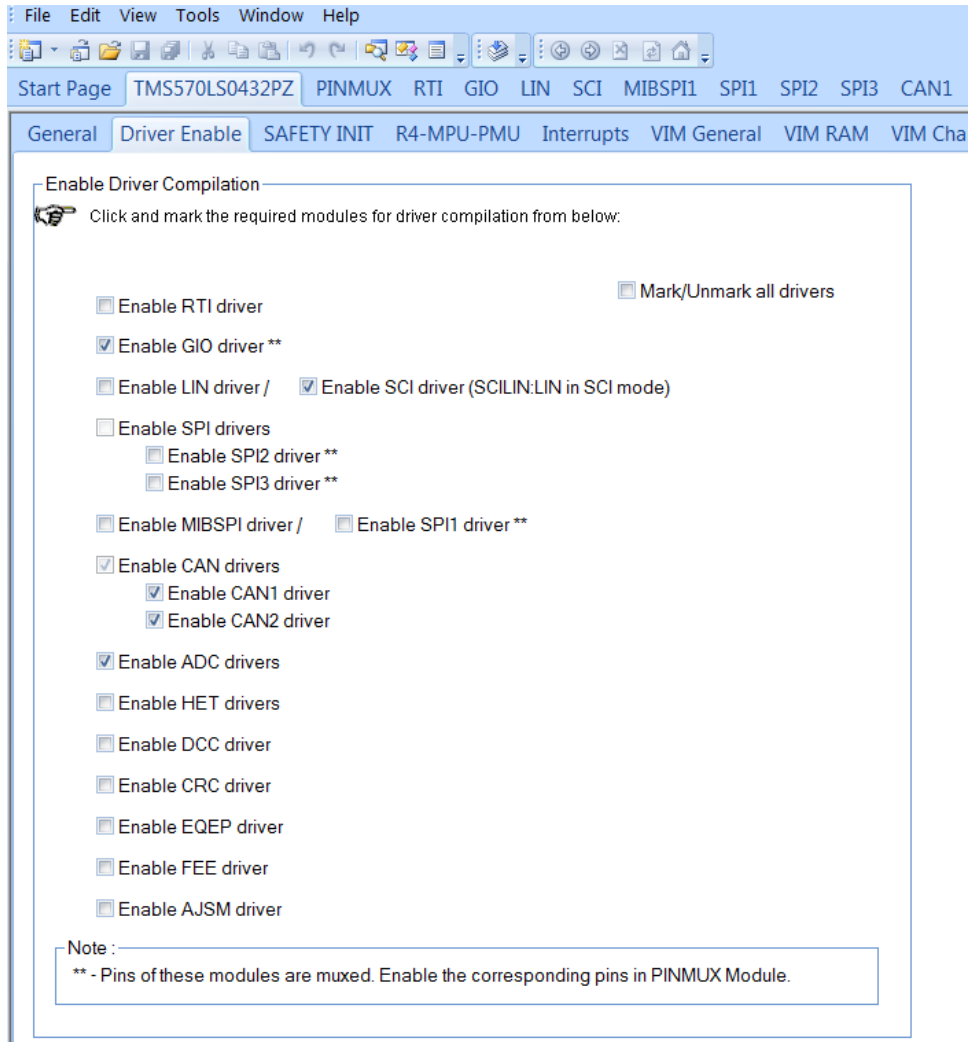


图 13. HALCoGen Enable Driver

5. Edit the settings for the drivers such as SCI, CAN1, and CAN2. Update the bit rate as per the design, check the propagation delay for the given baud rate, and complete the system settings.

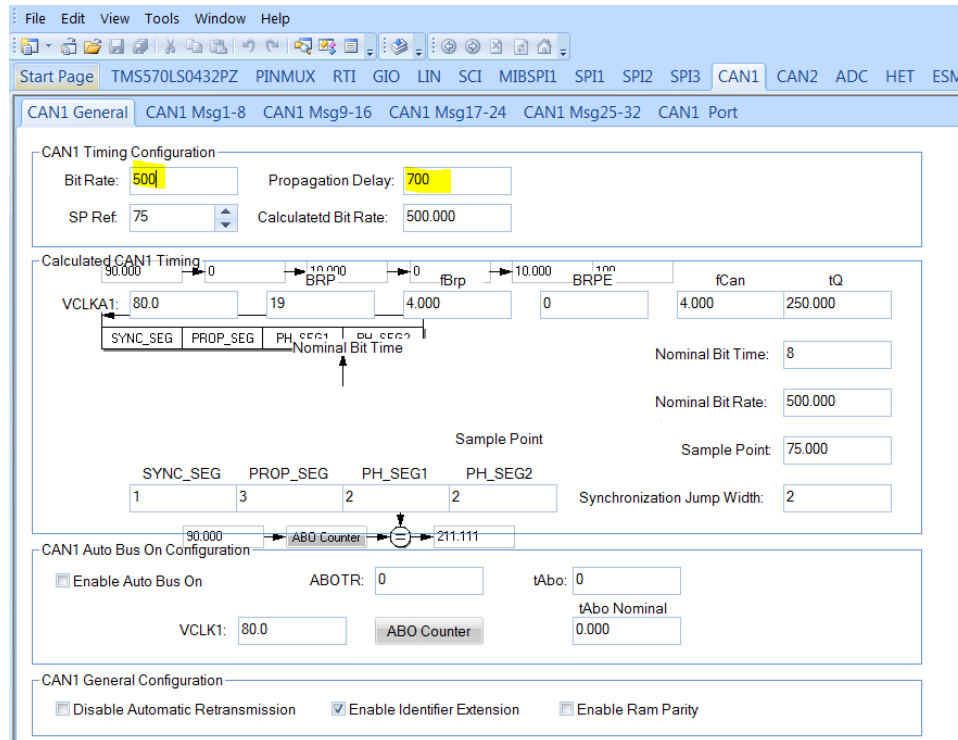


图 14. HALCoGen CAN Configuration

6. Generate the code in HALCoGen by pressing F5.
7. Open CCS. Press File → New → Project → CCS project under Code Composer Studio.

8. Select the target and device as per the family of LaunchPad. Select the connection type as per the LaunchPad interface to PC. Provide the same project name and location that was given in HALCoGen. Select the empty project without any main.c and press Finish to create the CCS project.

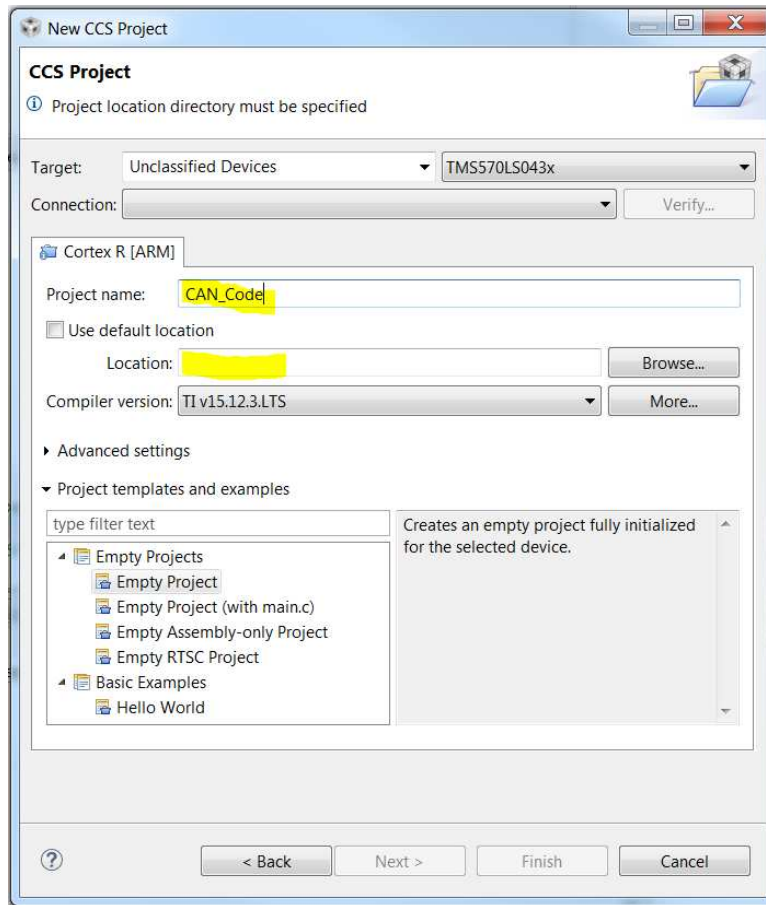


图 15. CCS Project Creation

9. Include the files created in HALCoGen, right click on the Project → Properties → Build → ARM compiler → Include options → Add the path of include folder generated from HALCoGen.

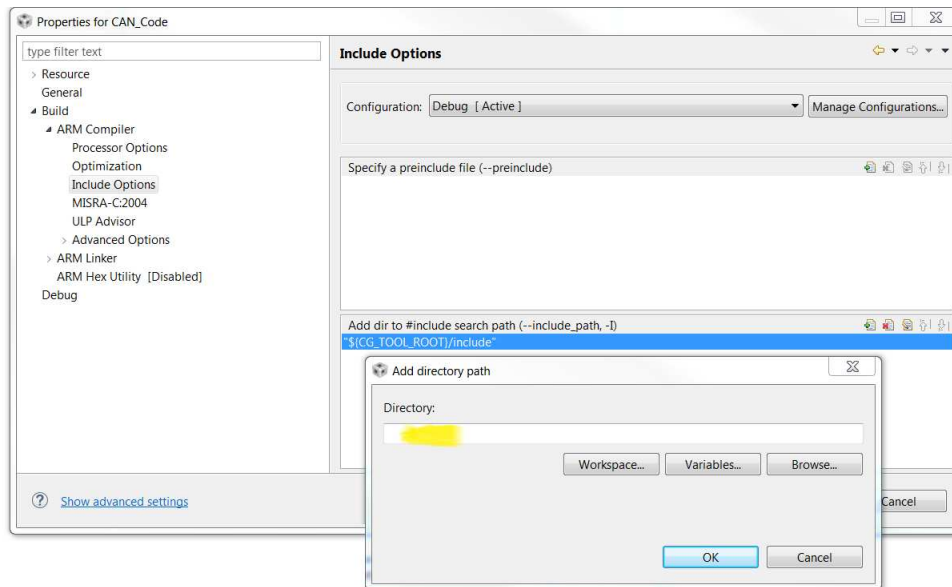


图 16. CCS Include Files

10. Start writing the user code section in the sys_main.c file. Build and load the code in CCS to the target LaunchPad and test the CAN communication.

5 Testing and Results

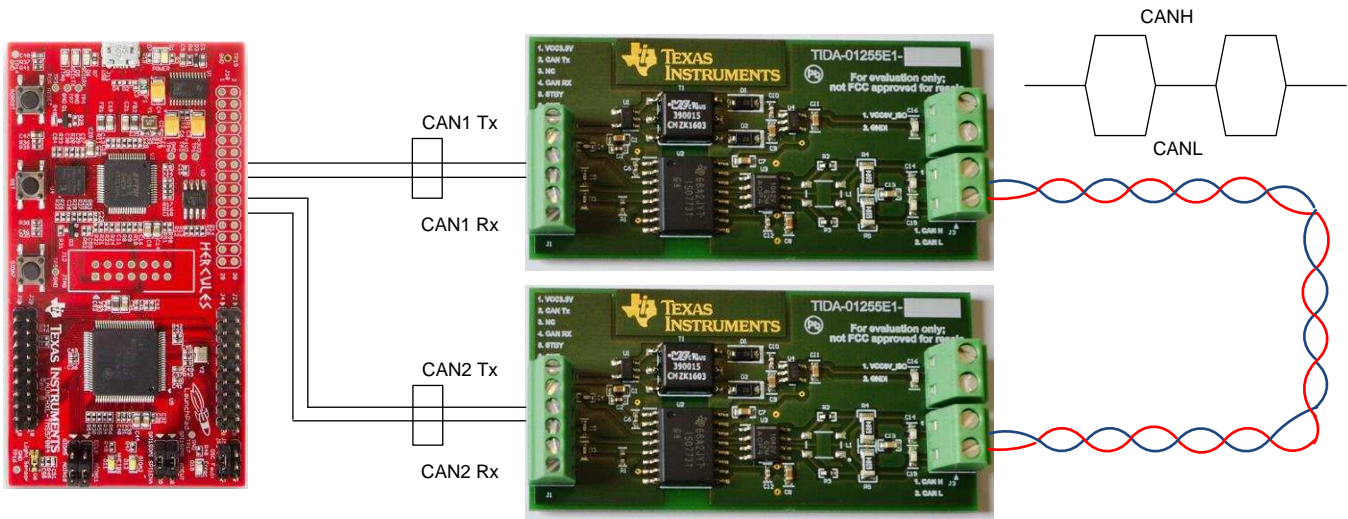
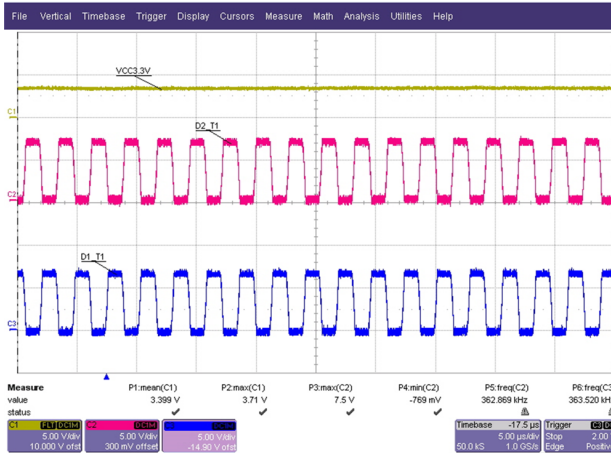


图 17. Test Setup for TIDA-01255

The TIDA-01255 design was tested using the TMS570LS04x LaunchPad. Two TIDA-01255 boards are connected as shown in 图 17.

- Software is built in CCS in such a way that data is sent from "CAN1", which is acknowledged by "CAN2" of the same LaunchPad. A laptop is used to monitor the registers and communication of LaunchPad.
- Baud rate of CAN communication is set in HALCoGen. The latest files are built and loaded into launch to check the performance of the TIDA-01255.
- Twisted pair wiring harness with different lengths is used to connect the CANH and CANL.
- Tests are performed for different configurations of wire lengths and baud rates.

5.1 Operational Tests

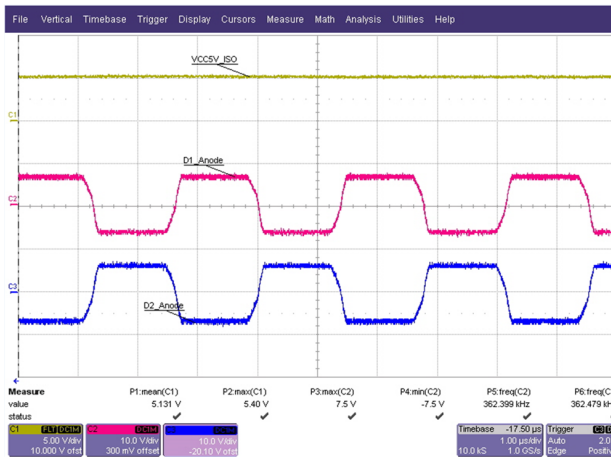


CH1: VCC3.3V
 CH2: D2 pin of SN6501-Q1 primary
 CH3: D1 pin of SN6501-Q1 primary

注: Isolated power primary side

Max of D1,D2 = 7.5 V
 Min of D1,D2 = 0.769 V
 Frequency of D2 = 362 kHz
 Frequency of D1 = 363 kHz

图 18. SN6501-Q1 Primary Side

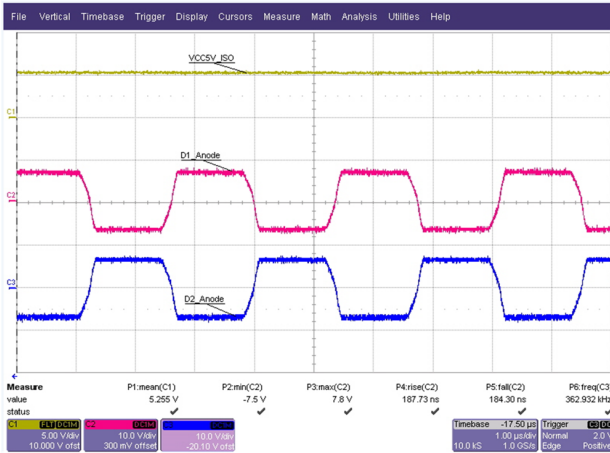


CH1: VCC3.3V
 CH2: Anode pin of D1, secondary side
 CH3: Anode pin of D2, secondary side

注: Isolated power secondary side

Max of D1,D2 = 7.5 V
 Min of D1,D2 = 0.769 V
 Frequency of D2 = 362 kHz
 Frequency of D1 = 362 kHz

图 19. SN6501-Q1 Secondary Side

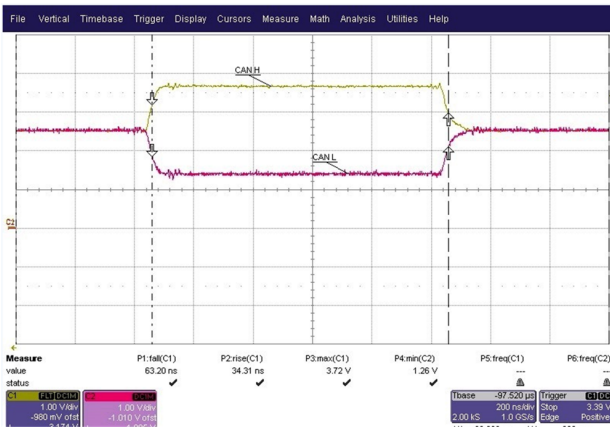


CH1: VCC3.3V
 CH2: Anode pin of D1, secondary side
 CH3: Anode pin of D2, secondary side

注: Isolated power secondary side

Max of D1,D2 = 7.5 V
 Min of D1,D2 = 0.769 V
 Frequency of D2 = 362 kHz
 Rise time of D1,D2 = 187 ns
 Fall time of D1,D2 = 184 ns

图 20. SN6501-Q1 Secondary Side (Rise and Fall Times)

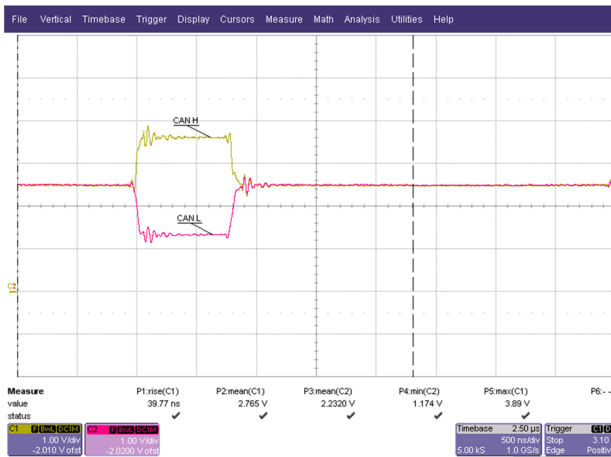


CH1: CAN high
 CH2: CAN low

注: CAN message with 1-m wire, ground wire along with CANH and CANL

Recessive of CANH and CANL = 2.5 V
 Dominant of CANH = 3.72 V (Max)
 Dominant of CANL = 1.26 V (Min)
 Rise time of CANH = 34.31 ns
 Fall time of CANH = 63.20 ns

图 21. CAN Message With Common Ground

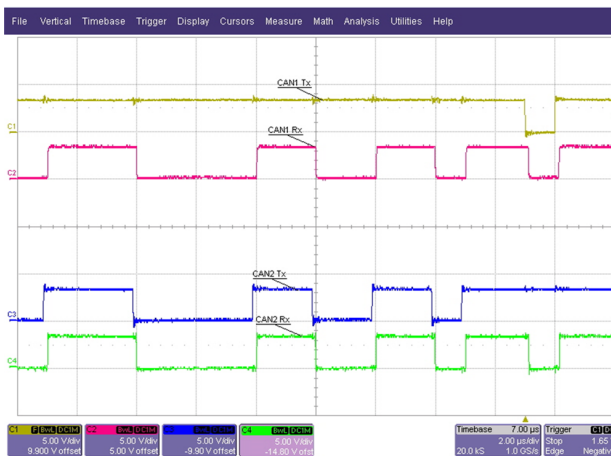


CH1: CAN high
CH2: CAN low

注: CAN message with 1-m wire, no ground wire; only CANH and CANL are connected

Recessive of CANH and CANL = 2.5 V
Dominant of CANH = 3.89 V (max)
Dominant of CANL = 1.174 V (min)
Rise time of CANH = 40 ns

图 22. CAN Message Without Common Ground

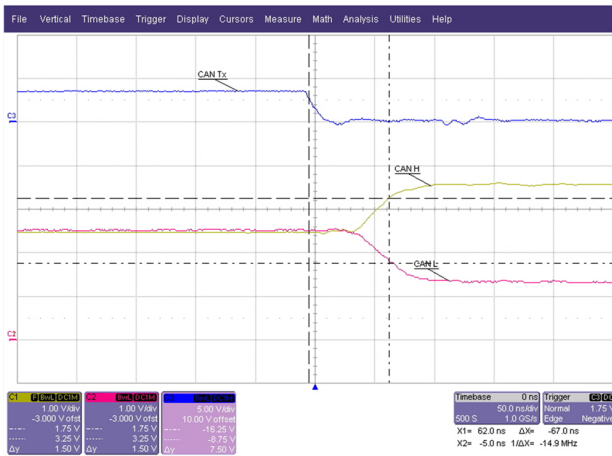


CH1: CAN1 Tx
CH2: CAN1 Rx
CH3: CAN2 Tx
CH4: CAN2 Rx

注: CAN message with 1-m wire, messages from CAN2 and ACK from CAN1

图 23. CAN Message Without Common Ground (CAN1 ACK)

5.2 Performance Tests

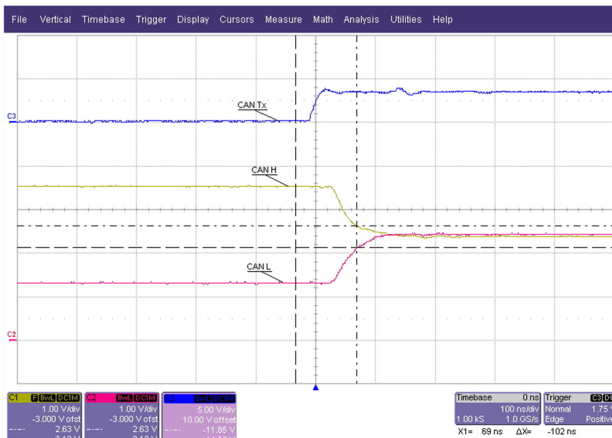


CH1: CAN high
CH2: CAN low
CH3: CAN Tx

注: CAN message with 1-m wire, TIDA-01255 propagation delay (recessive to dominant)

Dominant: Delay of Tx to CAN = 67 ns

图 24. TIDA-01255 Tx to CAN (Recessive to Dominant)

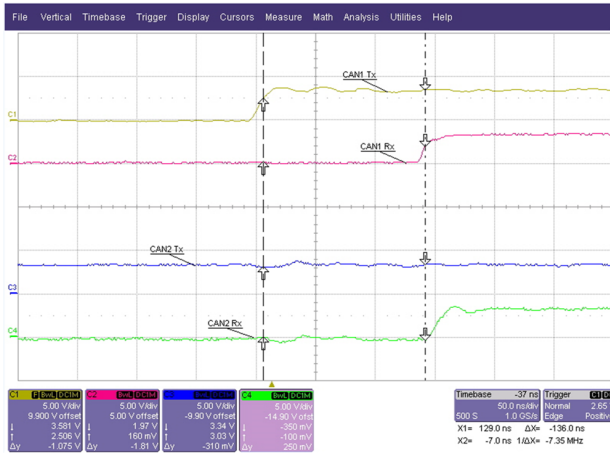


CH1: CAN high
CH2: CAN low
CH3: CAN Tx

注: CAN message with 1-m wire, TIDA-01255 propagation delay (dominant to recessive)

Recessive: Delay of Tx to CAN = 69 ns (approximately)

图 25. TIDA-01255 Tx to CAN (Dominant to Recessive)

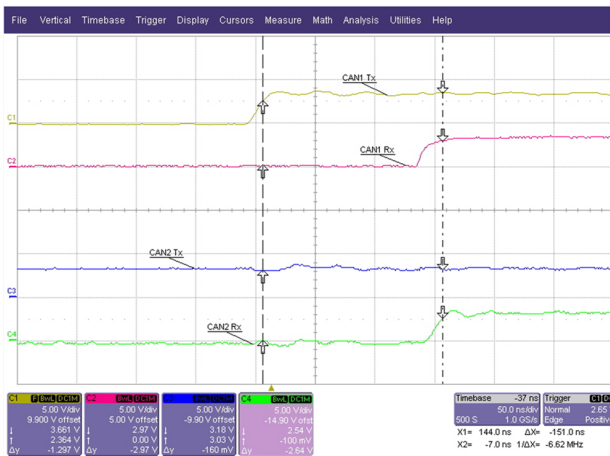


CH1: CAN1 Tx
 CH2: CAN1 Rx
 CH3: CAN2 Tx
 CH4: CAN2 Rx

注: CAN message with 1-m wire, loop delay of TIDA-01255 CAN1 Tx to Rx

Loop delay of TIDA-01255 = 136 ns (approximately)

图 26. TIDA-01255 Loop Delay

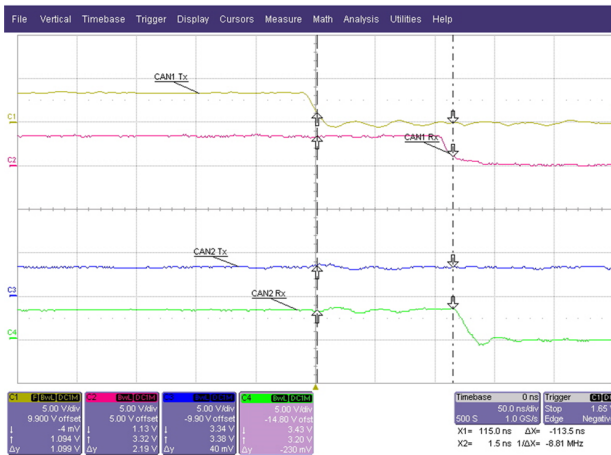


CH1: CAN1 Tx
 CH2: CAN1 Rx
 CH3: CAN2 Tx
 CH4: CAN2 Rx

注: CAN message with 1-m wire, transmission delay from one TIDA-01255 to another (half of round trip delay with 1-m wire)

Recessive: Delay of CAN1 Tx to CAN2 Rx = 151 ns (approximately)

图 27. TIDA-01255 Half Round-Trip Delay (Recessive)

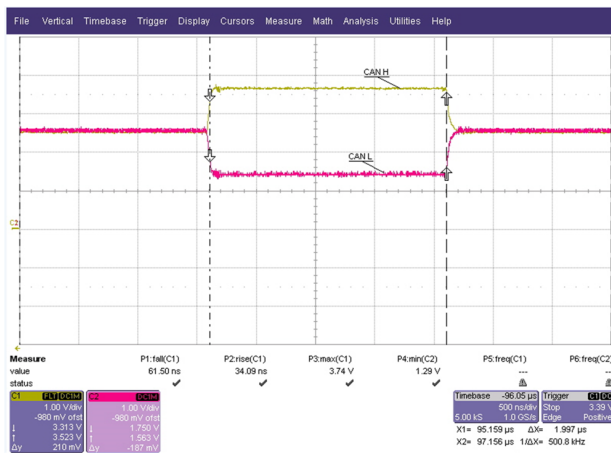


CH1: CAN1 Tx
 CH2: CAN1 Rx
 CH3: CAN2 Tx
 CH4: CAN2 Rx

注: CAN message with 1-m wire, transmission delay from one TIDA-01255 to another (half of round trip delay with 1-m wire)

Dominant: Delay of CAN1 Tx to CAN2 Rx = 115 ns (approximately)

图 28. TIDA-01255 Half Round-Trip Delay (Dominant)

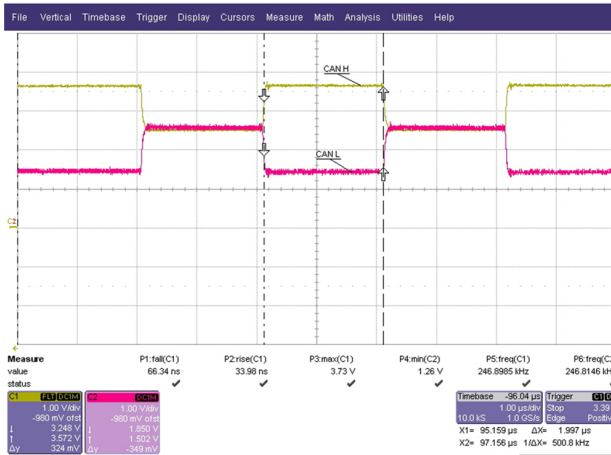


CH1: CANH
 CH2: CANL

注: 500-kbps CAN message, 1-m twisted pair wiring harness

Dominant: Delay of CAN1 Tx to CAN2 Rx = 115 ns (approximately)

图 29. TIDA-01255 500 kbps (Single Bit)

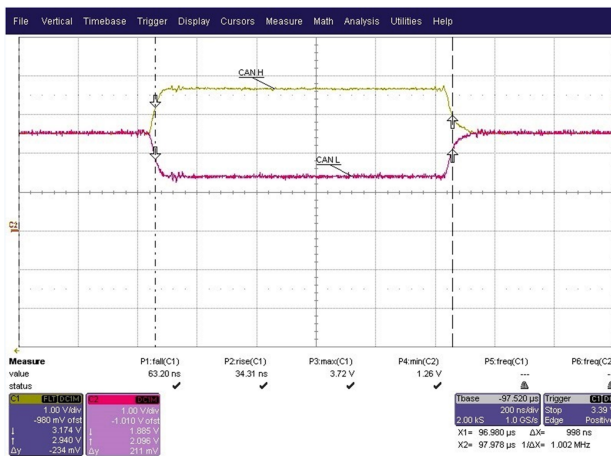


CH1: CANH
CH2: CANL

注: 500-kbps CAN message, 1-m twisted pair wiring harness

Recessive of CANH and CANL = 2.5 V
Dominant of CANH = 3.73 V (max)
Dominant of CANL = 1.26 V (min)
Rise time of CANH = 33.98 ns
Fall time of CANH = 66.34 ns

图 30. TIDA-01255 500 kbps (Multiple Bits)

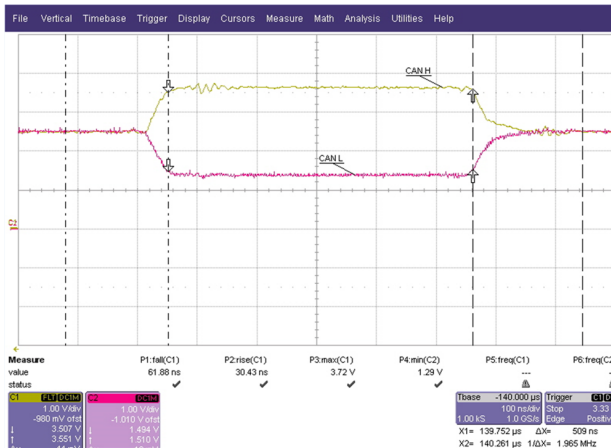


CH1: CANH
CH2: CANL

注: 1-Mbps CAN message, 1-m twisted pair wiring harness

Recessive of CANH and CANL = 2.5 V
Dominant of CANH = 3.72 V (Max)
Dominant of CANL = 1.26 V (Min)
Rise time of CANH = 34.31 ns
Fall time of CANH = 63.20 ns

图 31. TIDA-01255 1 Mbps

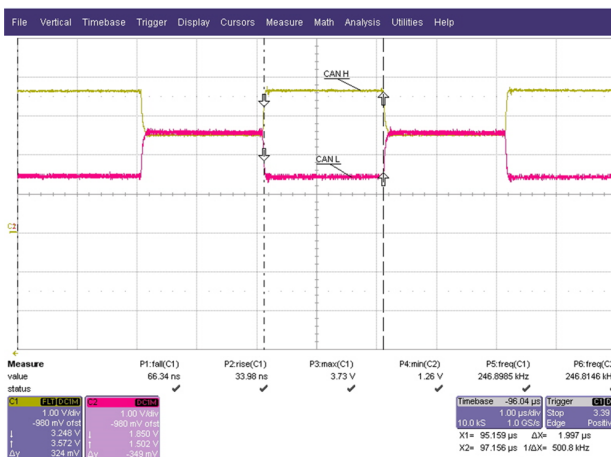


CH1: CANH
CH2: CANL

注: 500-kbps CAN message, 1-m twisted pair wiring harness

Recessive of CANH and CANL = 2.5 V
Dominant of CANH = 3.72 V (Max)
Dominant of CANL = 1.29 V (Min)
Rise time of CANH = 30.43 ns
Fall time of CANH = 61.88 ns

图 32. TIDA-01255 2 Mbps (Single Bit)



CH1: CANH
CH2: CANL

注: 2-Mbps CAN message, 1-m twisted pair wiring harness

Recessive of CANH and CANL = 2.5 V
Dominant of CANH = 3.72 V (max)
Dominant of CANL = 1.28 V (min)
Rise time of CANH = 33 ns
Fall time of CANH = 60.41 ns

图 33. TIDA-01255 2 Mbps (Multiple Bits)

5.3 Reliability Tests

CAN is used as reliable communication in automotive environments. ECUs should have a robust hardware to support the reliable communication protocol. The TIDA-01255 has been tested for typical automotive noises on the CAN communication.

5.3.1 Transient Immunity Capacitor Coupling

The purpose of this test is to ensure that the TIDA-01255 will not be damaged as a result of excessive transients that may occur as a result of unique inductive wiring harness crosstalk. Tests have been performed as per ISO 7637-3 for slow transient pulses. The test setup with the TIDA-01255 has been built as shown in 图 34.

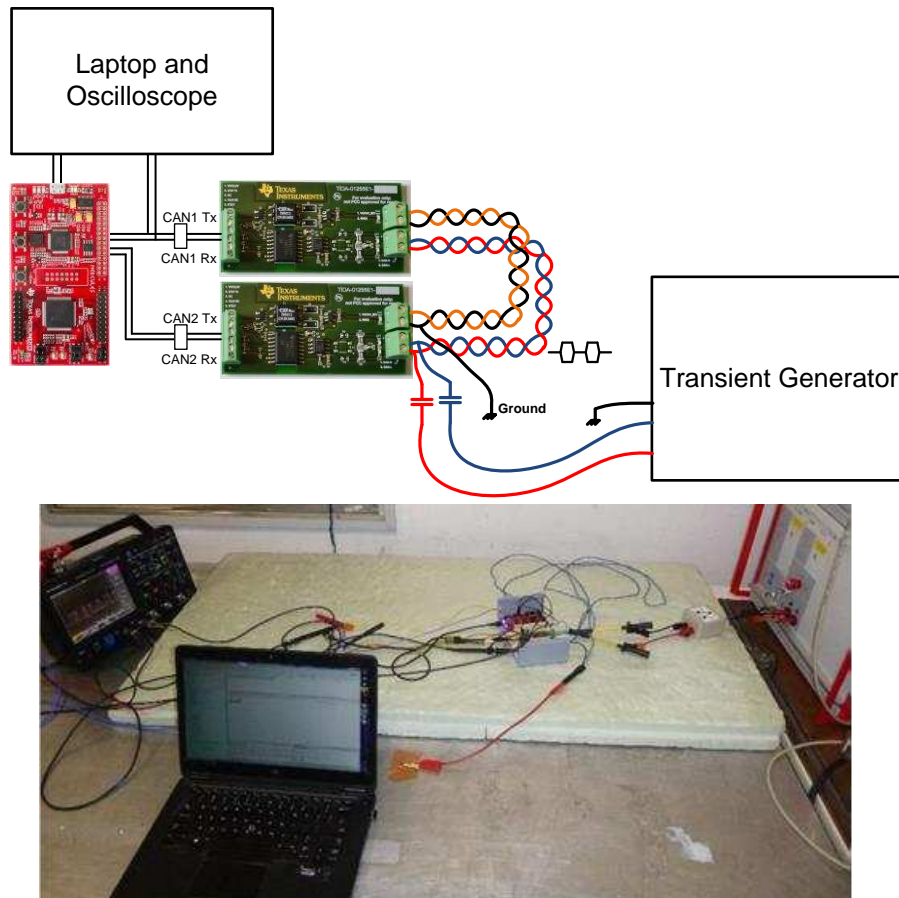


图 34. Capacitive Coupling Test Setup

注: Harness length = 1.7 m

An oscilloscope is used to monitor CAN1 Tx and CAN1 Rx. The laptop is used to control and monitor the TMS570 LaunchPad to get the status of the CAN. The setup box is used to couple the transient with a 100-nF capacitance from the transient generator to the CAN wiring harness. As two TIDA-01255 boards are connected back to back, DCC tests are performed only once for each test leg.

表 3. Transient Immunity Test Results

TEST CASE	VOLTAGE LEVEL (V)	TEST DURATION (MIN)	OBSERVATION
DCC Slow -	-45	5	TIDA-01255 works fine. No impact on CAN communication. Performance A
DCC Slow +	45	5	TIDA-01255 works fine. No impact on CAN communication. Performance A
DCC Slow -	-85	1	TIDA-01255 works fine. No impact on CAN communication. Performance A
DCC Slow +	85	1	TIDA-01255 works fine. No impact on CAN communication. Performance A

5.3.2 RF Immunity: Bulk Current Injection

RF immunity of ECUs are done with the proper application software based on the type of systems (engine EMS, vehicle control unit, body control, transmission control, battery control, DC-DC, inverter, OBC, and so on). Critical parameters of the system are monitored and measured during the RF immunity tests. Communication of safety critical nets is important, which is not expected to disturb while performing these tests. Based on the type of end system, performance and pass criteria is defined for the bulk current immunity tests. The TIDA-01255 is tested with just an CAN application layer software, which does not include supervisor or watchdog systems. Performance of the TIDA-01255 and TCAN1042-Q1 can be different when used with an end application software.

Bulk current injection (BCI) tests are performed in an external test house as per ISO 11452-4.

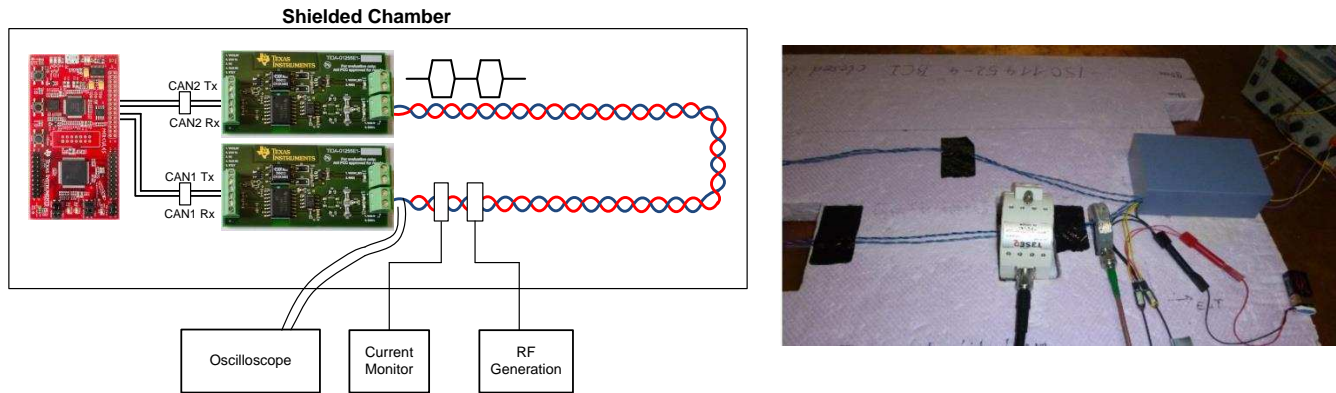


图 35. BCI Setup and Injector Probe at 15 cm

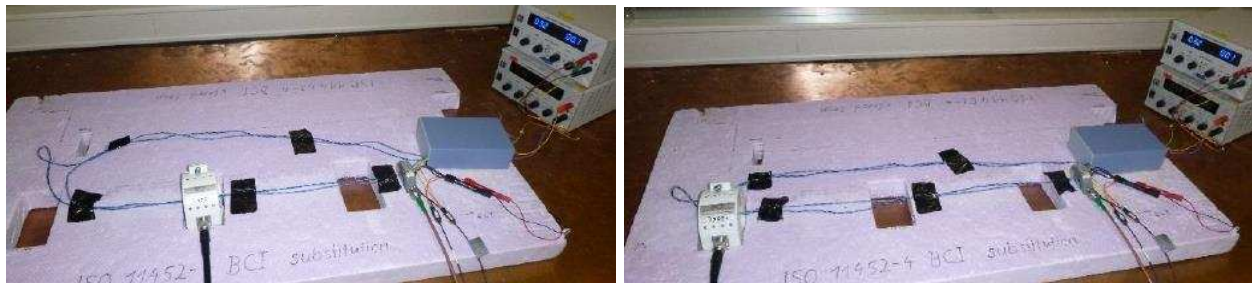


图 36. BCI Test Setup for Injector Probes at 45 and 75 cm

表 4. BCI Test Parameters

PARAMETER	DESCRIPTION		
Frequency modulation	Continuous Wave AM (1 kHz, 80 %)		
Frequency steps	300 kHz for 0.1 to 1 MHz	1 MHz for 1 to 200 MHz	2 MHz for 200 to 400 MHz
Dwell time	2 sec		
Distance of EuT – Clamp	15 cm	45 cm	75 cm

表 5. BCI Test Plan

TEST LEVEL	FREQUENCY RANGE (MHz)	CATEGORY 1 dB(μ A)	CATEGORY 2 dB(μ A)	CATEGORY 3 dB(μ A)
Level 2	0.1 to 2.38	90	90	Not specified
	2.38 to 15	106-20 log(15/f)	106-20 log(15/f)	
	15 to 88	106	106	
	88 to 400	106-10 log(f/88)	106-10 log(f/88)	
Level 1	0.1 to 2.38	82	90	90
	2.38 to 15	98-20 log(15/f)	102-20 log(15/f)	106-20 log(15/f)
	15 to 88	98	102	106
	88 to 400	98-10 log(f/88)	102-10 log(f/88)	106-10 log(f/88)

BCI tests results for the TIDA-01255 with a 500-kbps CAN baud rate are as follows:

- Category 2 Level 1 for 15 cm, no damage to components. The TIDA-01255 is working fine upon reset. *Performance C* is achieved.
- Category 3 Level 1 for 15 cm, no damage to components. The TIDA-01255 is working fine upon reset. *Performance C* is achieved.
- Category 2 Level 1 for 45 cm, no damage to components. The TIDA-01255 is working fine upon reset. *Performance C* is achieved.
- Category 2 Level 1 for 75 cm, no damage to components. The TIDA-01255 is working fine upon reset. *Performance C* is achieved.

Tests are done on the LaunchPad with basic software without any supervisor or watchdog system. Performance of the TCAN1042-Q1 and system can be improved by using software built for relevant control units.

5.3.3 RF Emissions

RF emission tests are done on the TIDA-01255 in an anechoic chamber at the EMC test house. The LaunchPad is flashed with different software that enable CAN communication at different baud rates. More details are available upon request.

5.3.4 ESD

Testing has been performed in accordance with ISO 10605. Tests are carried out in a shielded chamber. Test setup is done as per [图 37](#).

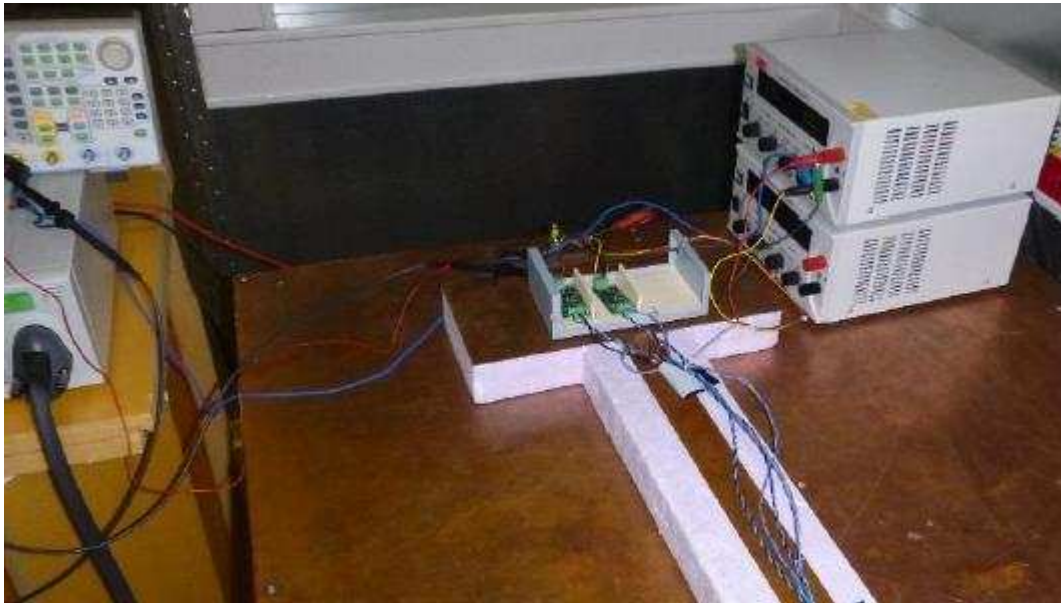


图 37. ESD Test Setup

ESD tests are performed with two TIDA-01255 boards connected back to back as shown in [图 37](#). Wire length is 1.7 m.

表 6. ESD Test Results

DISCHARGE SEQUENCE	TYPE OF DISCHARGE	VOLTAGE LEVEL (kV)	RESULT
1	Contact discharge C = 330 pF, R = 2 kΩ	4	Performance A
2		-4	Performance A
3	Air discharge C = 330 pF, R = 2 kΩ	4	Performance A
4		-4	Performance A
5	Contact discharge C = 330 pF, R = 2 kΩ	8	Performance A
6		-8	Performance A
7	Air discharge C = 330 pF, R = 2 kΩ	8	Performance A
8		-8	Performance A
9	Air discharge C = 330 pF, R = 2 kΩ	15	Performance A
10		-15	Performance A

No disturbance happened to CAN communication. CAN waveforms are monitored in the oscilloscope while ESD tests are being performed. Both TIDA-01255 boards were working fine after completing all ESD tests.

6 Design Files

6.1 Schematics

To download the schematics, see the design files at [TIDA-01255](#).

6.2 Bill of Materials

To download the bill of materials (BOM), see the design files at [TIDA-01255](#).

6.3 PCB Layout Recommendations

For the optimal performance of the system, follow best practices of designing the PCB. Isolated power and CAN lines are critical, which affect the performance of the system.

- Place U1 SN6501-Q1 near to the transformer T1. Take care to have short traces and symmetry from D1, D2 to T1.

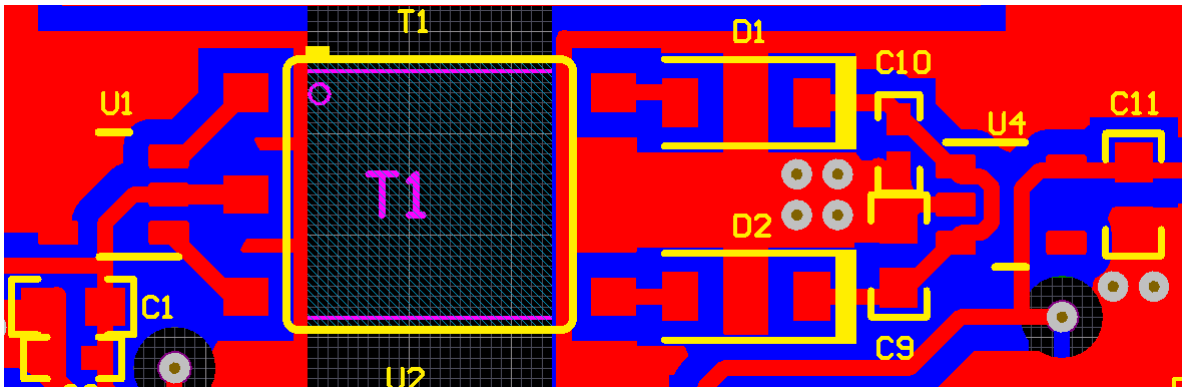


图 38. Isolated Power Supply

- As shown in 图 38, Schottky diodes D1 and D2 are in symmetry and to be placed with less track length to avoid high trace inductances.
- Based on the number of layers of the PCB, there should be vias or short resistance path to isolated ground to the ground pins of the center tapped transformer and LDO.
- Creepage distance of the isolated sections should be defined based on the customer requirements. Based on the type of material, creepage distance will vary on the PCB. For more details of layout recommendations, see the [Digital Isolator Design Guide](#) (SLLA284).

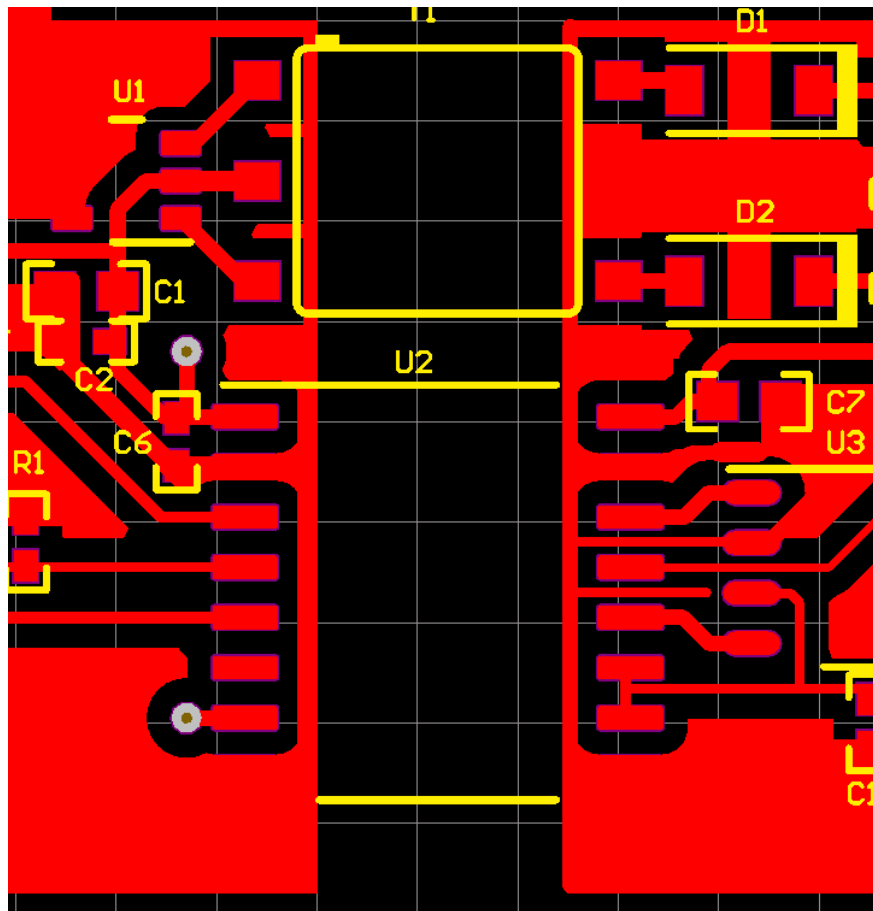


图 39. Isolated Section

- To avoid any interference with the signal lines, it is good to shield the outer layers of the isolated section as shown in 图 39.
- Layout of the CAN signals has to be done carefully to avoid any impedance mismatch for the CAN high and CAN low lines. Symmetry and shielding of the CAN signals from the controller, digital isolator, and transceiver are important.

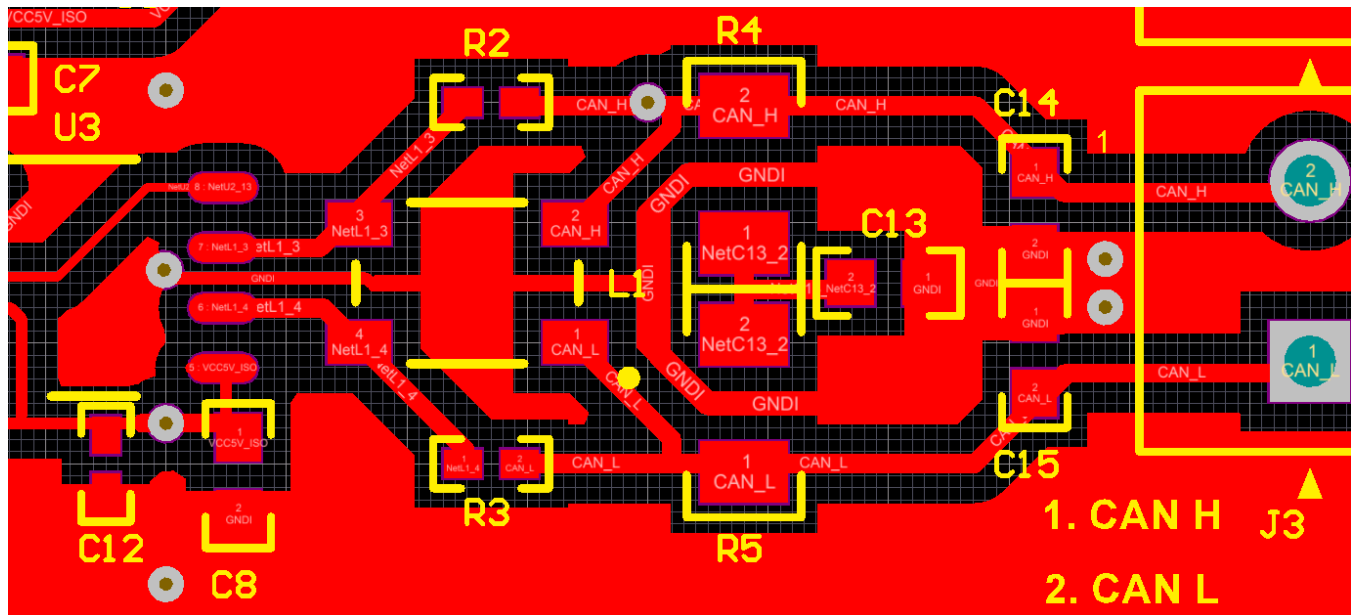


图 40. TCAN1042-Q1 Interface Circuit

- CAN termination layout is critical for the operation of CAN communication. Placement of CAN termination resistors R4 and R5 along with common-mode capacitor C13 play an important role for the low-pass filter of CAN messages.
- Place the ESD capacitor or special ESD suppression diodes close to the connector pins.

6.3.1 Layout Prints

To download the layer plots, see the design files at [TIDA-01255](http://www.ti.com/design-files/TIDA-01255).

6.4 Altium Project

To download the Altium project files, see the design files at [TIDA-01255](http://www.ti.com/design-files/TIDA-01255).

6.5 Gerber Files

To download the Gerber files, see the design files at [TIDA-01255](http://www.ti.com/design-files/TIDA-01255).

6.6 Assembly Drawings

To download the assembly drawings, see the design files at [TIDA-01255](http://www.ti.com/design-files/TIDA-01255).

7 Software Files

To download the software files, see the design files at [TIDA-01255](#).

8 Related Documentation

1. Texas Instruments, [Controller Area Network Physical Layer Requirements](#) , Application Report (SLLA270)
2. Texas Instruments, [Common Mode Chokes in CAN Networks: Source of Unexpected Transients](#) , Application Report (SLLA271)
3. Texas Instruments, [SN6501 Multi-Transformer EVM User's Guide](#) (SLLU174)

8.1 商标

LaunchPad, Code Composer Studio, Hercules are trademarks of Texas Instruments. All other trademarks are the property of their respective owners.

9 About the Author

RAMA KAMBHAM (Rama Chandra Reddy) is an automotive system engineer working in Texas Instruments Deutschland. Rama brings to this role his extensive experience in battery management systems and engine management systems in the automotive domain. Rama earned his bachelor of engineering degree from Osmania University Hyderabad, India.

有关 TI 设计信息和资源的重要通知

德州仪器 (TI) 公司提供的技术、应用或其他设计建议、服务或信息，包括但不限于与评估模块有关的参考设计和材料（总称“TI 资源”），旨在帮助设计人员开发整合了 TI 产品的应用；如果您（个人，或如果是代表贵公司，则为贵公司）以任何方式下载、访问或使用了任何特定的 TI 资源，即表示贵方同意仅为该等目标，按照本通知的条款进行使用。

TI 所提供的 TI 资源，并未扩大或以其他方式修改 TI 对 TI 产品的公开适用的质保及质保免责声明；也未导致 TI 承担任何额外的义务或责任。TI 有权对其 TI 资源进行纠正、增强、改进和其他修改。

您理解并同意，在设计应用时应自行实施独立的分析、评价和判断，且应全权负责并确保应用的安全性，以及您的应用（包括应用中使用的 TI 产品）应符合所有适用的法律法规及其他相关要求。您就您的应用声明，您具备制订和实施下列保障措施所需的一切必要专业知识，能够 (1) 预见故障的危险后果，(2) 监视故障及其后果，以及 (3) 降低可能导致危险的故障几率并采取适当措施。您同意，在使用或分发包含 TI 产品的任何应用前，您将彻底测试该等应用和该等应用所用 TI 产品的功能。除特定 TI 资源的公开文档中明确列出的测试外，TI 未进行任何其他测试。

您只有在为开发包含该等 TI 资源所列 TI 产品的应用时，才被授权使用、复制和修改任何相关单项 TI 资源。但并未依据禁止反言原则或其他法律授予您任何 TI 知识产权的任何其他明示或默示的许可，也未授予您 TI 或第三方的任何技术或知识产权的许可，该等产权包括但不限于任何专利权、版权、屏蔽作品权或与使用 TI 产品或服务的任何整合、机器制作、流程相关的其他知识产权。涉及或参考了第三方产品或服务的信息不构成使用此类产品或服务的许可或与其相关的保证或认可。使用 TI 资源可能需要您向第三方获得对该等第三方专利或其他知识产权的许可。

TI 资源系“按原样”提供。TI 兹免除对 TI 资源及其使用作出所有其他明确或默认的保证或陈述，包括但不限于对准确性或完整性、产权保证、无复发故障保证，以及适销性、适合特定用途和不侵犯任何第三方知识产权的任何默认保证。

TI 不负责任何申索，包括但不限于因组合产品所致或与之有关的申索，也不为您辩护或赔偿，即使该等产品组合已列于 TI 资源或其他地方。对因 TI 资源或其使用引起或与之有关的任何实际的、直接的、特殊的、附带的、间接的、惩罚性的、偶发的、从属或惩戒性损害赔偿，不管 TI 是否获悉可能会产生上述损害赔偿，TI 概不负责。

您同意向 TI 及其代表全额赔偿因您不遵守本通知条款和条件而引起的任何损害、费用、损失和/或责任。

本通知适用于 TI 资源。另有其他条款适用于某些类型的材料、TI 产品和服务的使用和采购。这些条款包括但不限于适用于 TI 的半导体产品 (<http://www.ti.com/sc/docs/stdterms.htm>)、[评估模块](http://www.ti.com/sc/docs/sampters.htm)和样品 (<http://www.ti.com/sc/docs/sampters.htm>) 的标准条款。

邮寄地址：上海市浦东新区世纪大道 1568 号中建大厦 32 楼，邮政编码：200122
Copyright © 2017 德州仪器半导体技术（上海）有限公司