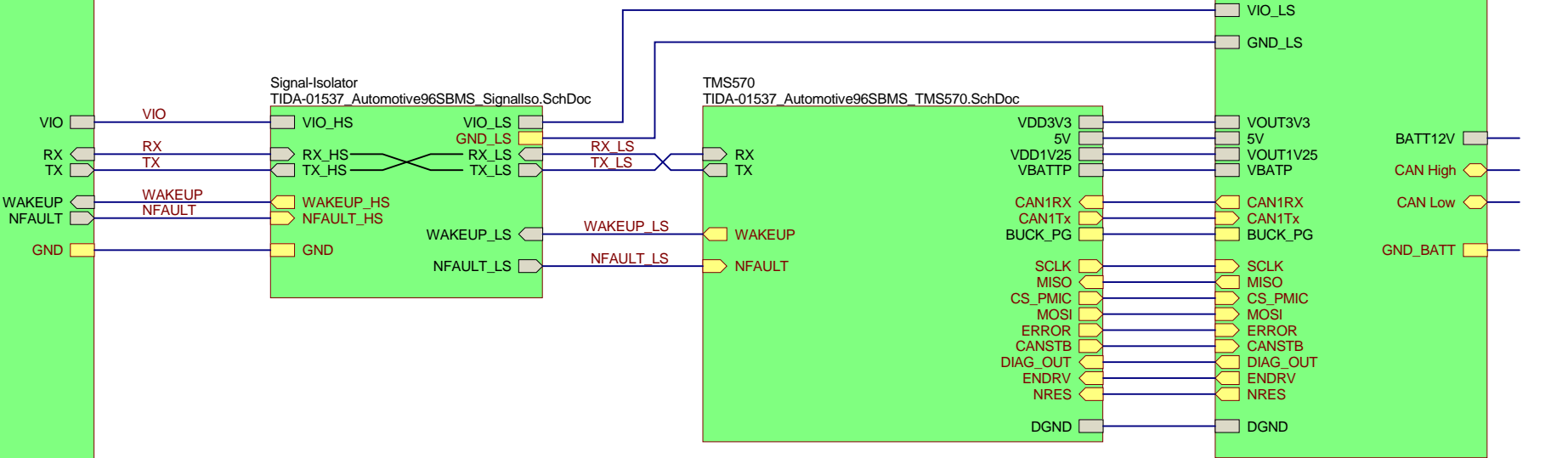
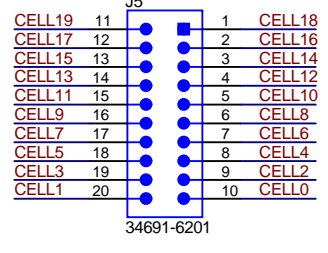
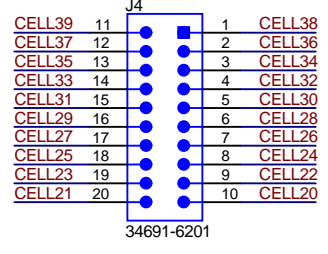
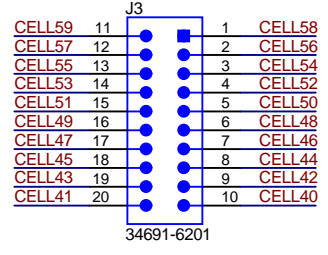
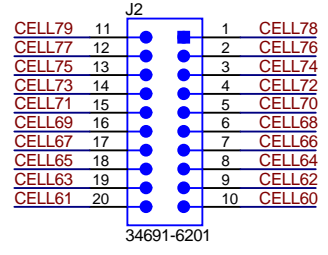
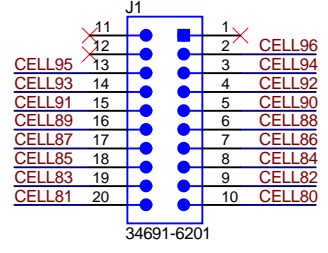


U_BMICs
TIDA-01537_Automotive96SBMS_BMSIC.SchDoc

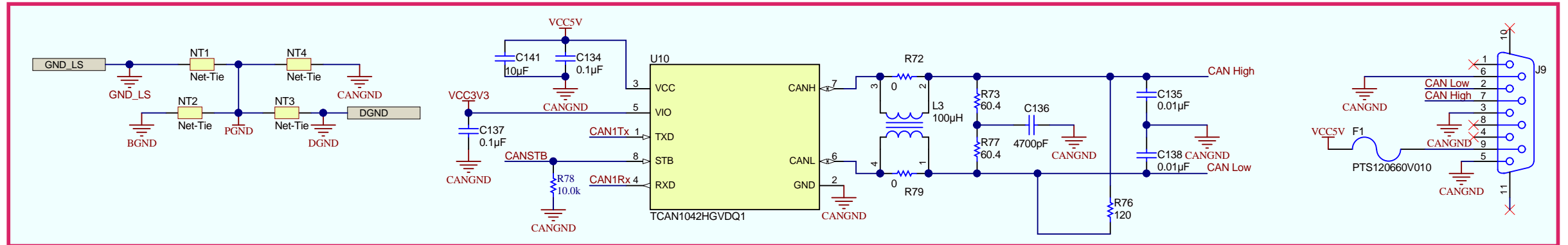
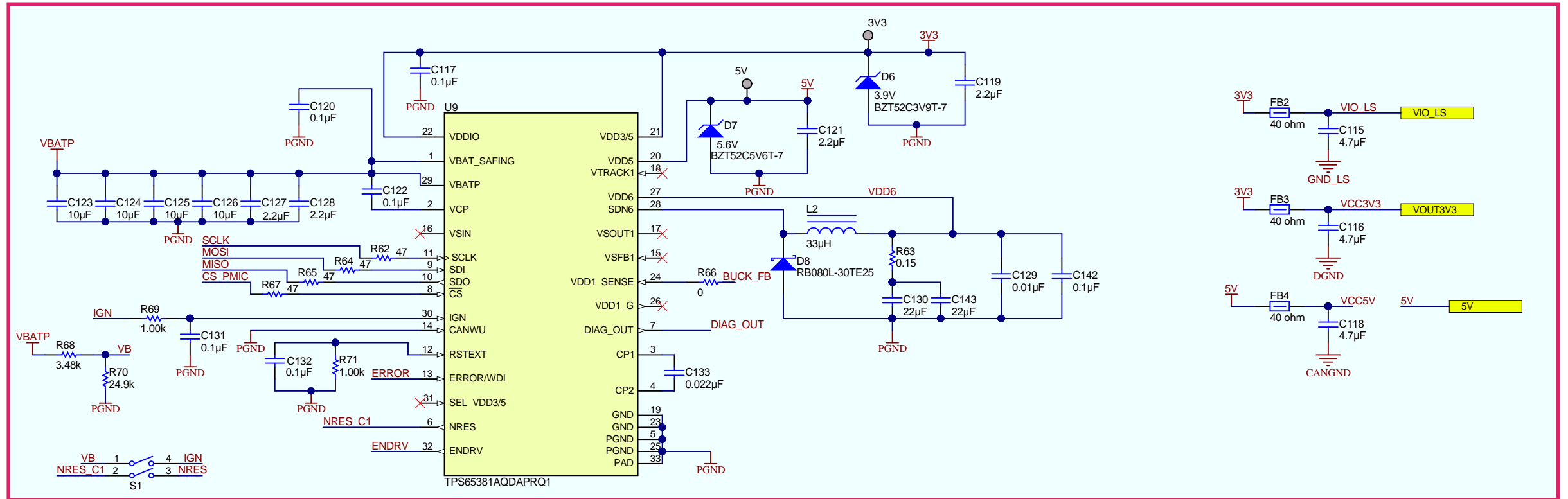
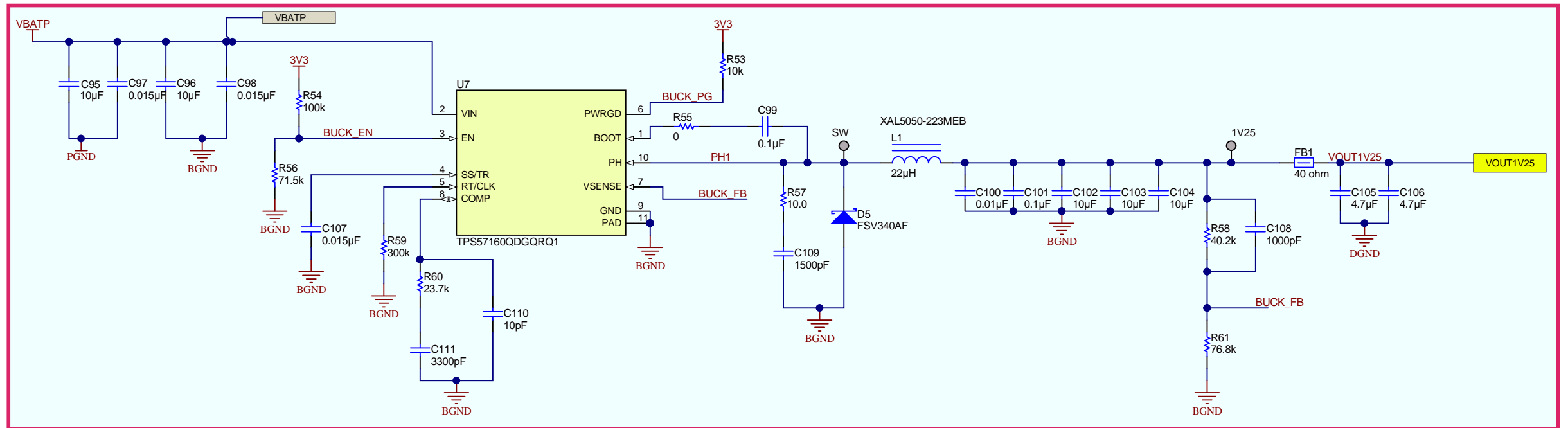
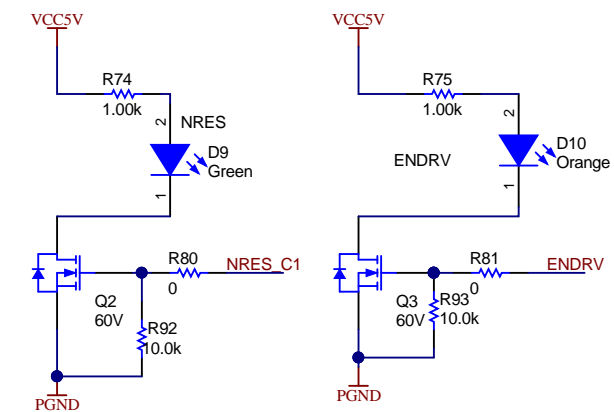
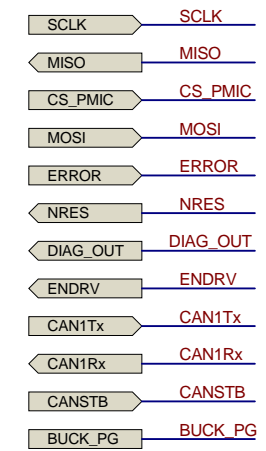
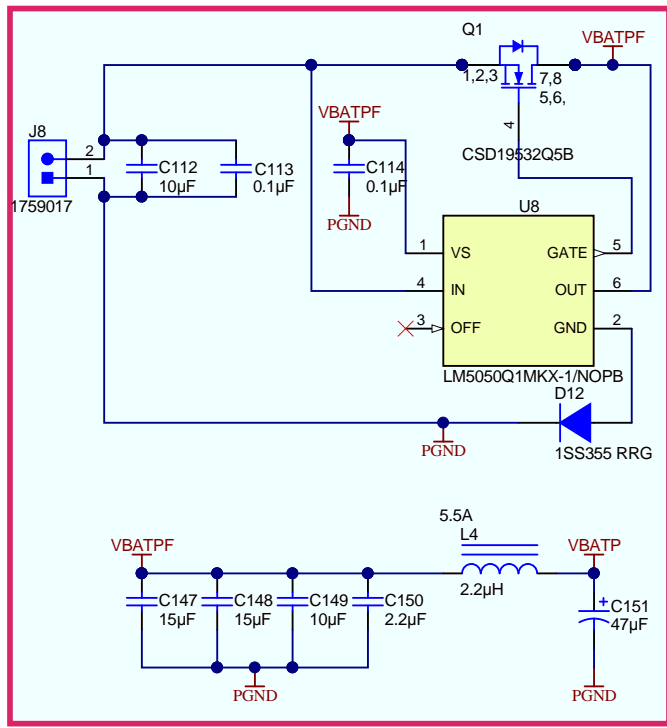
CELL96	CELL96
CELL95	CELL95
CELL94	CELL94
CELL93	CELL93
CELL92	CELL92
CELL91	CELL91
CELL90	CELL90
CELL89	CELL89
CELL88	CELL88
CELL87	CELL87
CELL86	CELL86
CELL85	CELL85
CELL84	CELL84
CELL83	CELL84
CELL82	CELL83
CELL81	CELL82
CELL80	CELL81
CELL79	CELL80
CELL78	CELL79
CELL77	CELL78
CELL76	CELL77
CELL75	CELL76
CELL74	CELL75
CELL73	CELL74
CELL72	CELL73
CELL71	CELL72
CELL70	CELL71
CELL69	CELL70
CELL68	CELL69
CELL67	CELL68
CELL66	CELL67
CELL65	CELL66
CELL64	CELL65
CELL63	CELL64
CELL62	CELL63
CELL61	CELL62
CELL60	CELL61
CELL59	CELL60
CELL58	CELL59
CELL57	CELL58
CELL56	CELL57
CELL55	CELL56
CELL54	CELL55
CELL53	CELL54
CELL52	CELL53
CELL51	CELL52
CELL50	CELL51
CELL49	CELL50
CELL48	CELL49
CELL47	CELL48
CELL46	CELL47
CELL45	CELL46
CELL44	CELL45
CELL43	CELL44
CELL42	CELL43
CELL41	CELL42
CELL40	CELL41
CELL39	CELL40
CELL38	CELL39
CELL37	CELL38
CELL36	CELL37
CELL35	CELL36
CELL34	CELL35
CELL33	CELL34
CELL32	CELL33
CELL31	CELL32
CELL30	CELL31
CELL29	CELL30
CELL28	CELL29
CELL27	CELL28
CELL26	CELL27
CELL25	CELL26
CELL24	CELL25
CELL23	CELL24
CELL22	CELL23
CELL21	CELL22
CELL20	CELL21
CELL19	CELL20
CELL18	CELL19
CELL17	CELL18
CELL16	CELL17
CELL15	CELL16
CELL14	CELL15
CELL13	CELL14
CELL12	CELL13
CELL11	CELL12
CELL10	CELL11
CELL9	CELL10
CELL8	CELL9
CELL7	CELL8
CELL6	CELL7
CELL5	CELL6
CELL4	CELL5
CELL3	CELL4
CELL2	CELL3
CELL1	CELL2
CELL0	CELL1
CELL0	CELL0



Hardware
TIDA-01537_Automotive96SBMS_Hardware.SchDoc

Orderable: ChangeMe!	Designed for: Public Release	Mod. Date: 10/15/2018
TID #: N/A	Project Title: Change in menu Project/Project Options/Parameters	
Number: TIDA-01537	Rev: E1	Sheet Title:
SVN Rev: Not in version control	Assembly Variant: 001	Sheet: 1 of 11
Drawn By:	File: TIDA-01537_Automotive96SBMS_Schematic_Overview.SchDoc	http://www.ti.com
Engineer: Rama Kambham & Tobias	Contact: http://www.ti.com/support	© Texas Instruments 2017

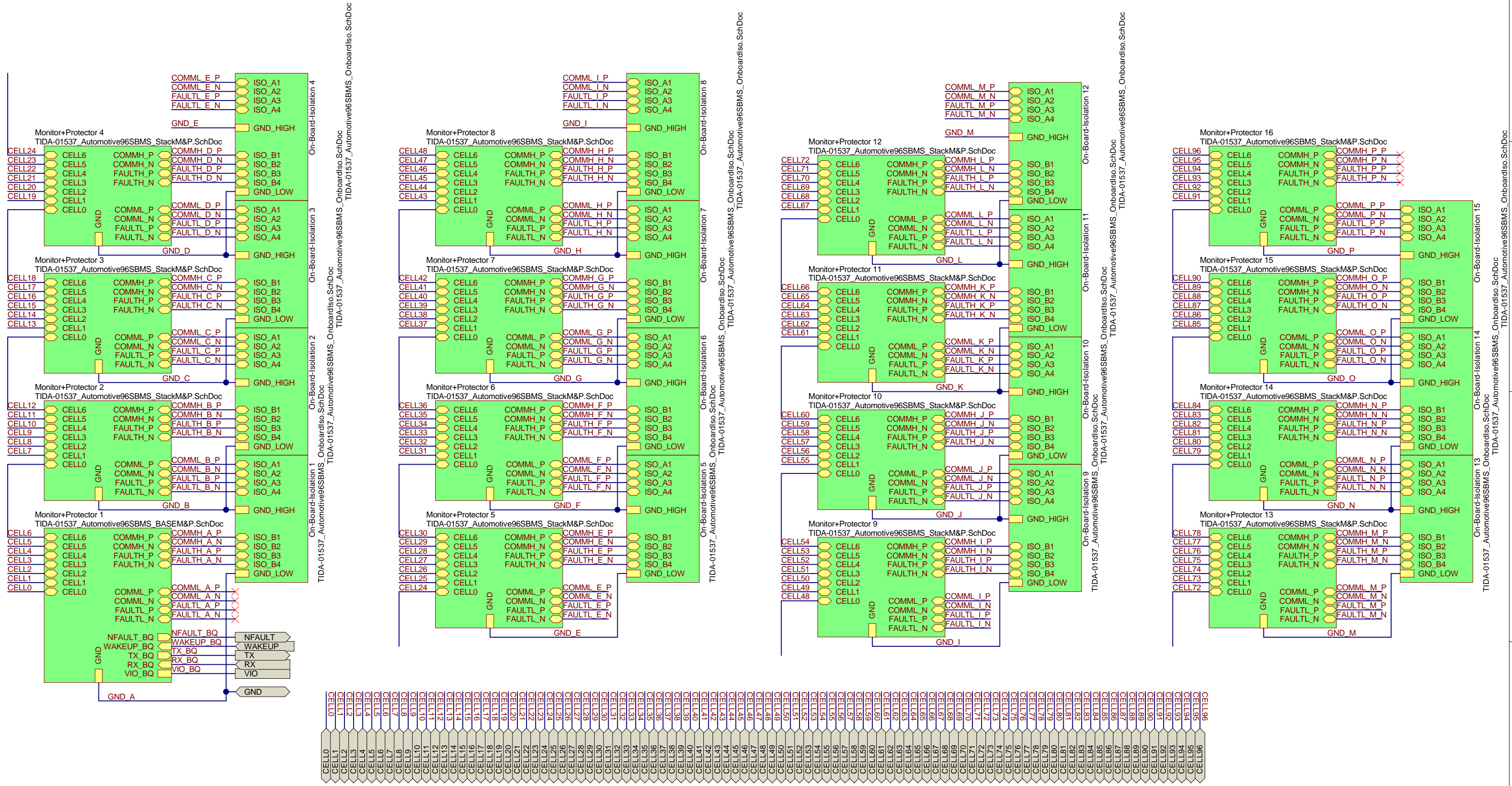
Texas Instruments and/or its licensors do not warrant the accuracy or completeness of this specification or any information contained therein. Texas Instruments and/or its licensors do not warrant that this design will meet the specifications, will be suitable for your application or fit for any particular purpose, or will operate in an implementation. Texas Instruments and/or its licensors do not warrant that the design is production worthy. You should completely validate and test your design implementation to confirm the system functionality for your application.



Texas Instruments and/or its licensors do not warrant the accuracy or completeness of this specification or any information contained therein. Texas Instruments and/or its licensors do not warrant that this design will meet the specifications, will be suitable for your application or fit for any particular purpose, or will operate in an implementation. Texas Instruments and/or its licensors do not warrant that the design is production worthy. You should completely validate and test your design implementation to confirm the system functionality for your application.

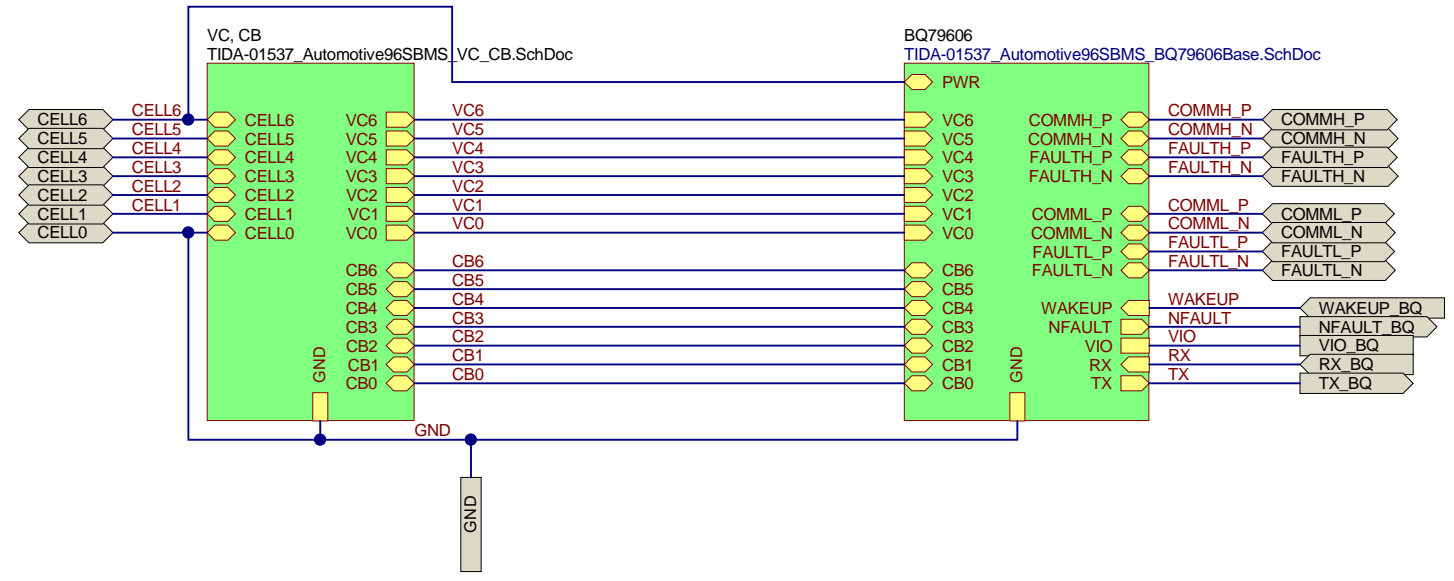
Orderable: ChangeMe!	Designed for: Public Release	Mod. Date: 10/15/2018
TID #: N/A	Project Title: Change in menu Project/Project Options/Parameters	
Number: TIDA-01537	Rev: E1	Sheet Title:
SVN Rev: Not in version control	Assembly Variant: 001	Sheet: 2 of 3
Drawn By:	File: TIDA-01537_Automotive96SBMS_Ext_Interface_Schematic	
Engineer: Rama Kambham & Tobias	Contact: http://www.ti.com/support	

Net labels and power ports are local to each sheet.



CELL0	CELL1	CELL2	CELL3	CELL4	CELL5	CELL6	CELL7	CELL8	CELL9	CELL10	CELL11	CELL12	CELL13	CELL14	CELL15	CELL16	CELL17	CELL18	CELL19	CELL20	CELL21	CELL22	CELL23	CELL24	CELL25	CELL26	CELL27	CELL28	CELL29	CELL30	CELL31	CELL32	CELL33	CELL34	CELL35	CELL36	CELL37	CELL38	CELL39	CELL40	CELL41	CELL42	CELL43	CELL44	CELL45	CELL46	CELL47	CELL48	CELL49	CELL50	CELL51	CELL52	CELL53	CELL54	CELL55	CELL56	CELL57	CELL58	CELL59	CELL60	CELL61	CELL62	CELL63	CELL64	CELL65	CELL66	CELL67	CELL68	CELL69	CELL70	CELL71	CELL72	CELL73	CELL74	CELL75	CELL76	CELL77	CELL78	CELL79	CELL80	CELL81	CELL82	CELL83	CELL84	CELL85	CELL86	CELL87	CELL88	CELL89	CELL90	CELL91	CELL92	CELL93	CELL94	CELL95	CELL96
-------	-------	-------	-------	-------	-------	-------	-------	-------	-------	--------	--------	--------	--------	--------	--------	--------	--------	--------	--------	--------	--------	--------	--------	--------	--------	--------	--------	--------	--------	--------	--------	--------	--------	--------	--------	--------	--------	--------	--------	--------	--------	--------	--------	--------	--------	--------	--------	--------	--------	--------	--------	--------	--------	--------	--------	--------	--------	--------	--------	--------	--------	--------	--------	--------	--------	--------	--------	--------	--------	--------	--------	--------	--------	--------	--------	--------	--------	--------	--------	--------	--------	--------	--------	--------	--------	--------	--------	--------	--------	--------	--------	--------	--------	--------	--------	--------

Texas Instruments and/or its licensors do not warrant the accuracy or completeness of this specification or any information contained therein. Texas Instruments and/or its licensors do not warrant that this design will meet the specifications, will be suitable for your application or fit for any particular purpose, or will operate in an implementation. Texas Instruments and/or its licensors do not warrant that the design is production worthy. You should completely validate and test your design implementation to confirm the system functionality for your application.



Texas Instruments and/or its licensors do not warrant the accuracy or completeness of this specification or any information contained therein. Texas Instruments and/or its licensors do not warrant that this design will meet the specifications, will be suitable for your application or fit for any particular purpose, or will operate in an implementation. Texas Instruments and/or its licensors do not warrant that the design is production worthy. You should completely validate and test your design implementation to confirm the system functionality for your application.

Orderable: ChangeMe!	Designed for: Public Release	Mod. Date: 6/5/2018
TID #: N/A	Project Title: Change in menu Project Project Options Parameters	
Number: TIDA-01537	Rev: E1	Sheet Title:
SVN Rev: Not in version control	Assembly Variant: 001	Sheet: 3 of 11
Drawn By:	File: TIDA-01537_Automotive96SBMS_BASEM&P.SchDoc	Size: B
Engineer: Rama Kambham & Tobias	Contact: http://www.ti.com/support	



A

B

C

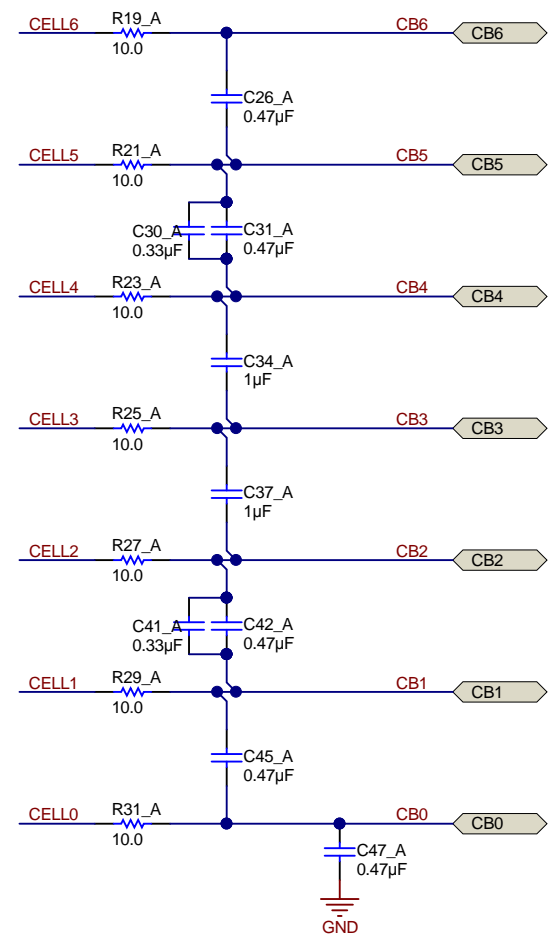
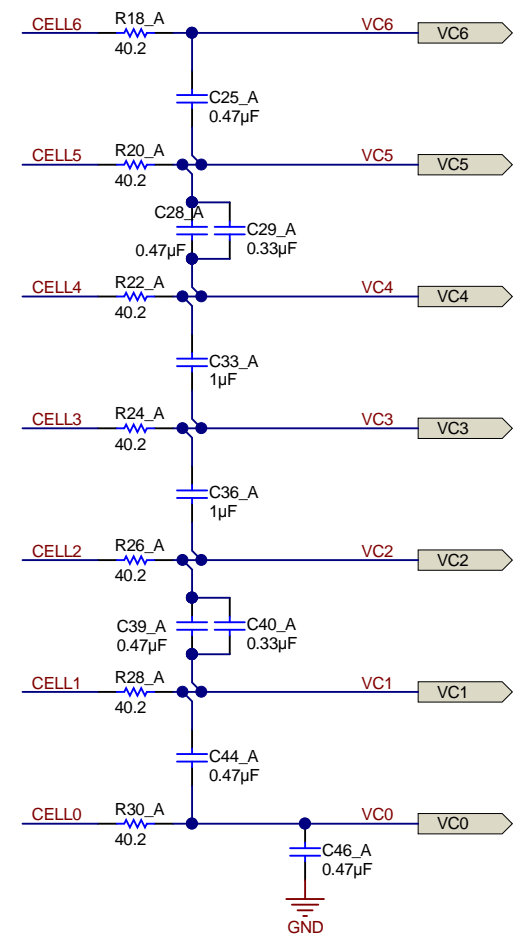
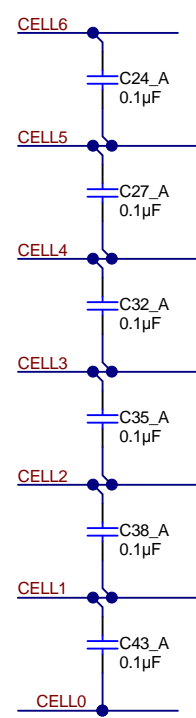
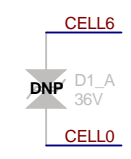
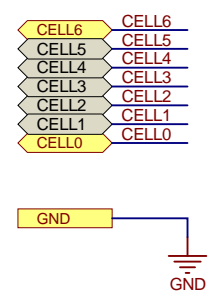
D

A

B

C

D



Texas Instruments and/or its licensors do not warrant the accuracy or completeness of this specification or any information contained therein. Texas Instruments and/or its licensors do not warrant that this design will meet the specifications, will be suitable for your application or fit for any particular purpose, or will operate in an implementation. Texas Instruments and/or its licensors do not warrant that the design is production worthy. You should completely validate and test your design implementation to confirm the system functionality for your application.

Orderable: ChangeMe!	Designed for: Public Release	Mod. Date: 10/7/2018
TID #: N/A	Project Title: Change in menu Project/Project Options/Parameters	
Number: TIDA-01537	Rev: E1	Sheet Title:
SVN Rev: Not in version control	Assembly Variant: 001	Sheet: 4 of 11
Drawn By:	File: TIDA-01537_Automotive96SBMS_VC_CB.SchDoc	Size: B
Engineer: Rama Kambham & Tobias	Contact: http://www.ti.com/support	



A

B

C

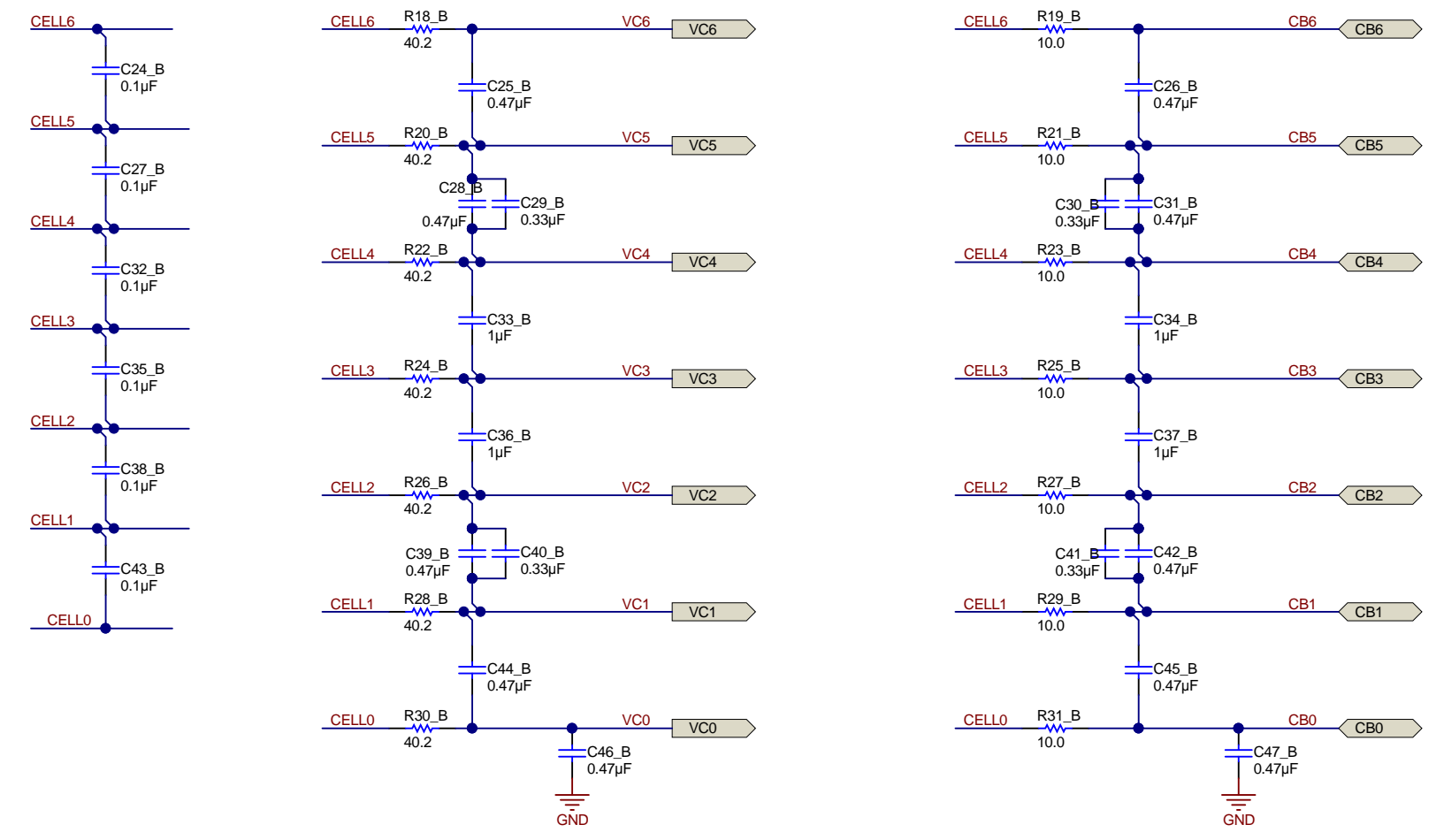
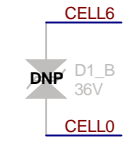
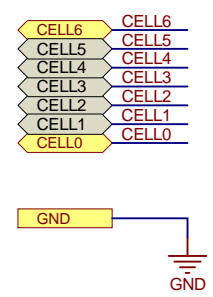
D

A

B

C

D



Texas Instruments and/or its licensors do not warrant the accuracy or completeness of this specification or any information contained therein. Texas Instruments and/or its licensors do not warrant that this design will meet the specifications, will be suitable for your application or fit for any particular purpose, or will operate in an implementation. Texas Instruments and/or its licensors do not warrant that the design is production worthy. You should completely validate and test your design implementation to confirm the system functionality for your application.

Orderable: ChangeMe!	Designed for: Public Release	Mod. Date: 10/7/2018
TID #: N/A	Project Title: Change in menu Project/Project Options/Parameters	
Number: TIDA-01537	Rev: E1	Sheet Title:
SVN Rev: Not in version control	Assembly Variant: 001	Sheet: 4 of 11
Drawn By:	File: TIDA-01537_Automotive96SBMS_VC_CB.SchDoc	Size: B
Engineer: Rama Kambham & Tobias	Contact: http://www.ti.com/support	

© Texas Instruments 2017

A

B

C

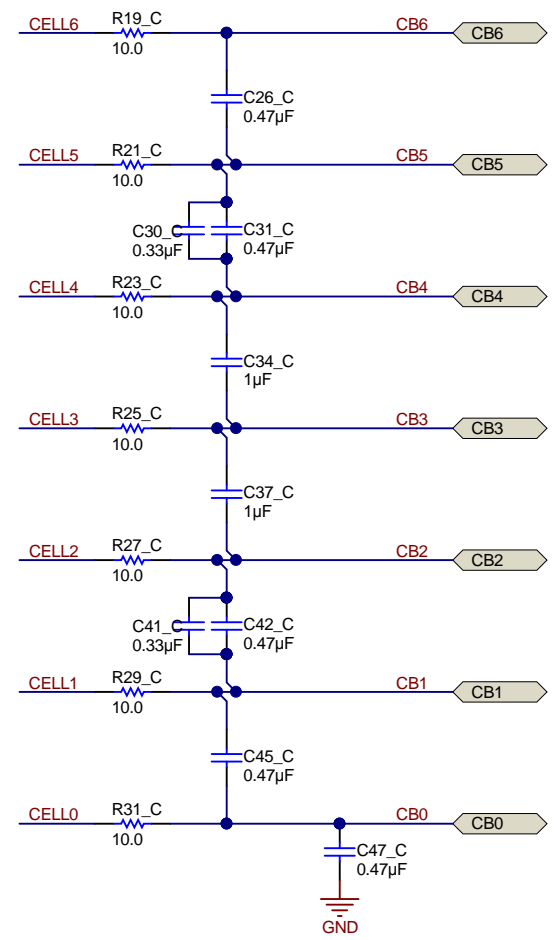
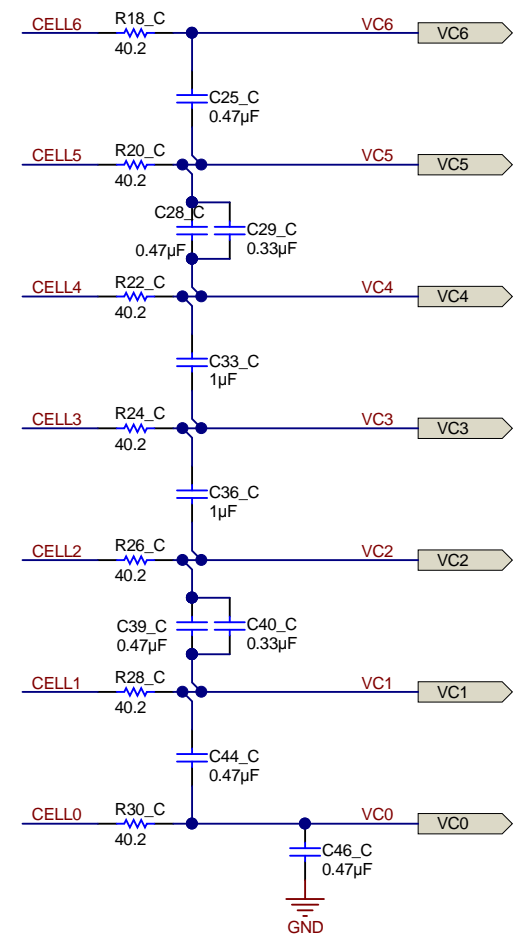
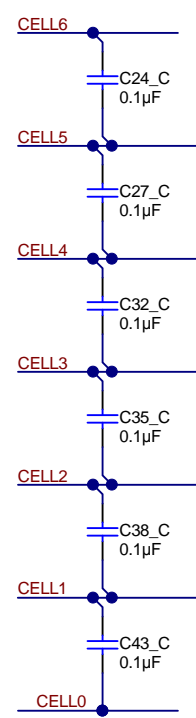
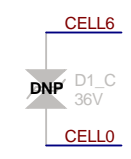
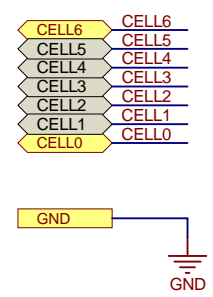
D

A

B

C

D



Texas Instruments and/or its licensors do not warrant the accuracy or completeness of this specification or any information contained therein. Texas Instruments and/or its licensors do not warrant that this design will meet the specifications, will be suitable for your application or fit for any particular purpose, or will operate in an implementation. Texas Instruments and/or its licensors do not warrant that the design is production worthy. You should completely validate and test your design implementation to confirm the system functionality for your application.

Orderable: ChangeMe!	Designed for: Public Release	Mod. Date: 10/7/2018
TID #: N/A	Project Title: Change in menu Project/Project Options/Parameters	
Number: TIDA-01537	Rev: E1	Sheet Title:
SVN Rev: Not in version control	Assembly Variant: 001	Sheet: 4 of 11
Drawn By:	File: TIDA-01537_Automotive96SBMS_VC_CB.SchDoc	Size: B
Engineer: Rama Kambham & Tobias	Comment: http://www.ti.com/support	

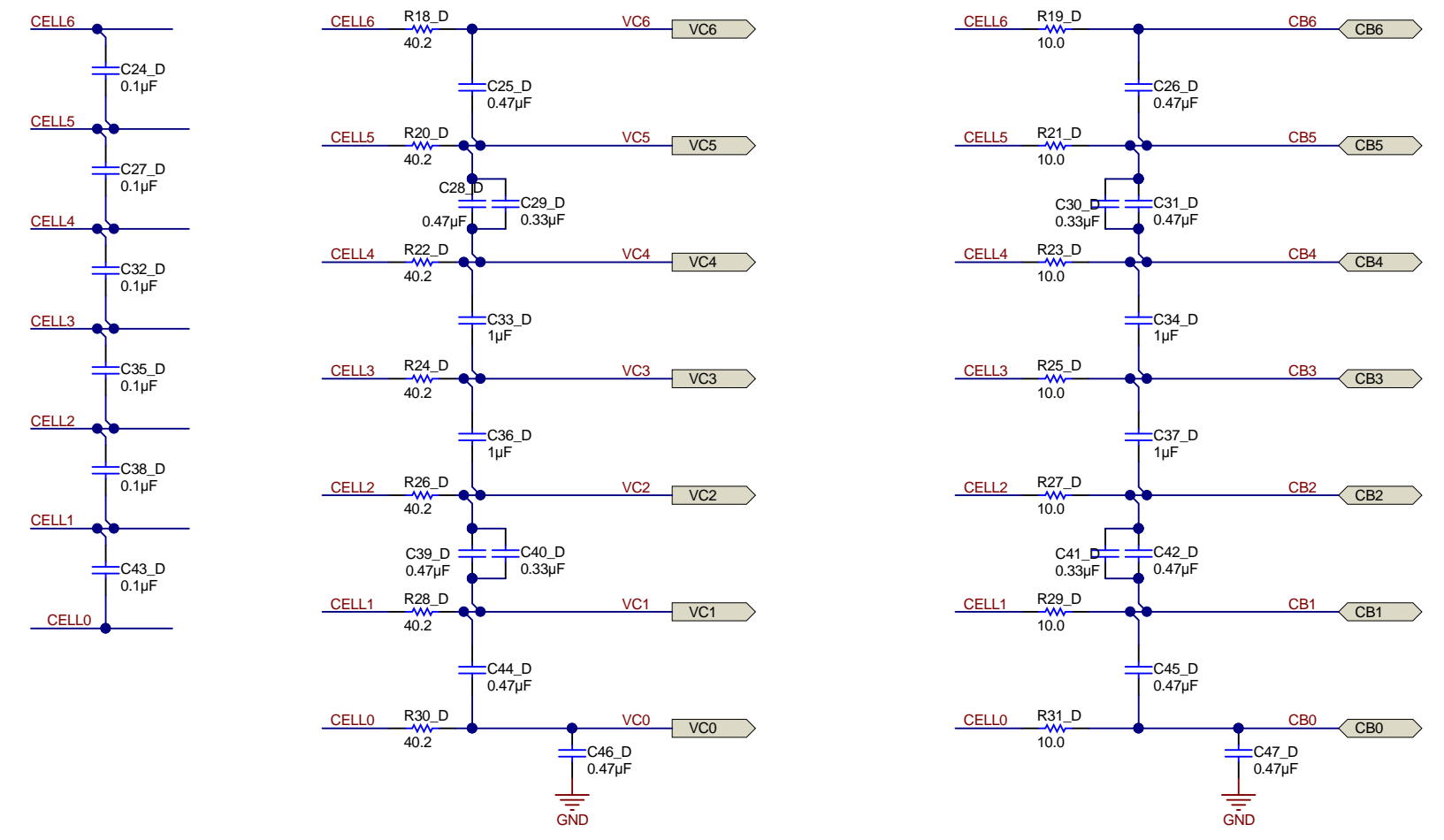
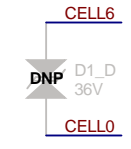
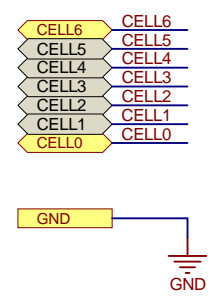


A

B

C

D



Texas Instruments and/or its licensors do not warrant the accuracy or completeness of this specification or any information contained therein. Texas Instruments and/or its licensors do not warrant that this design will meet the specifications, will be suitable for your application or fit for any particular purpose, or will operate in an implementation. Texas Instruments and/or its licensors do not warrant that the design is production worthy. You should completely validate and test your design implementation to confirm the system functionality for your application.

Orderable: ChangeMe!	Designed for: Public Release	Mod. Date: 10/7/2018
TID #: N/A	Project Title: Change in menu Project/Project Options/Parameters	
Number: TIDA-01537	Rev: E1	Sheet Title:
SVN Rev: Not in version control	Assembly Variant: 001	Sheet: 4 of 11
Drawn By:	File: TIDA-01537_Automotive96SBMS_VC_CB.SchDoc	Size: B
Engineer: Rama Kambham & Tobias	Contact: http://www.ti.com/support	

© Texas Instruments 2017

A

B

C

D

A

B

C

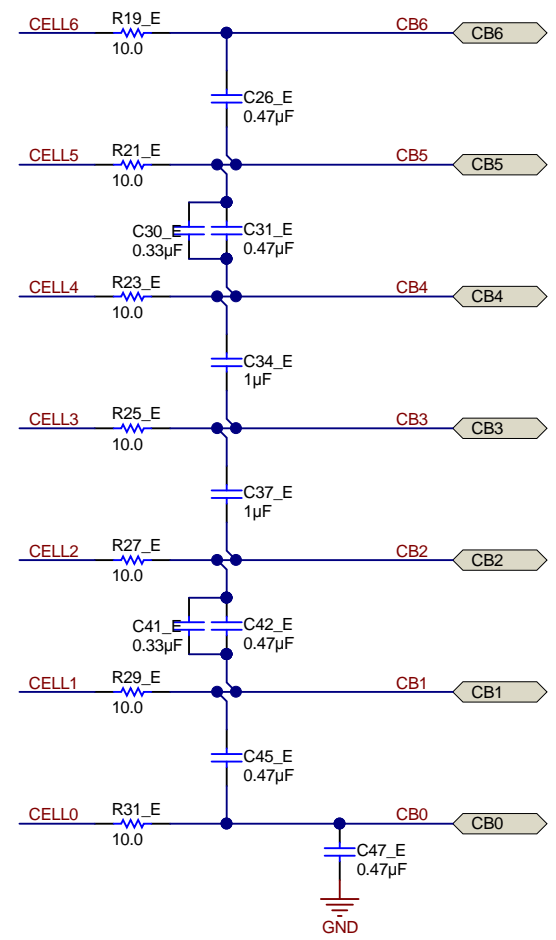
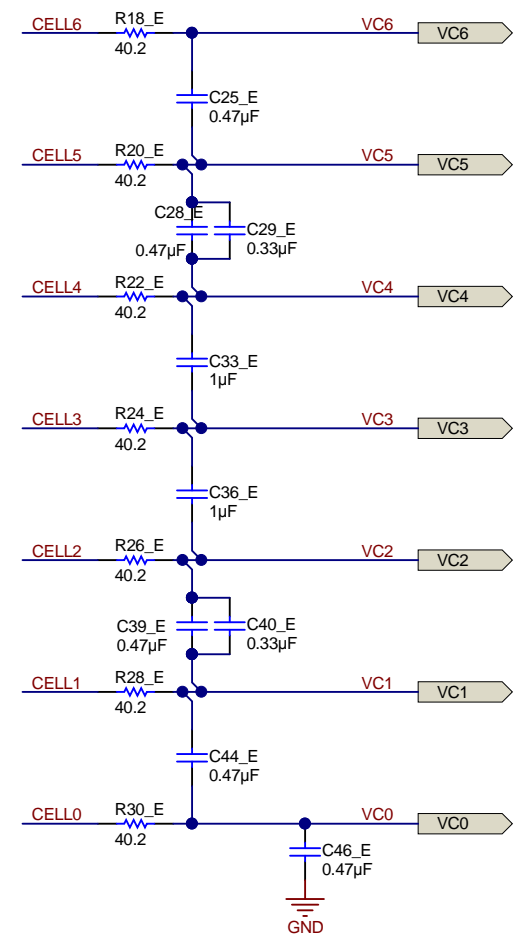
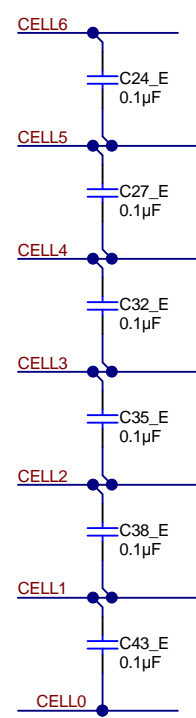
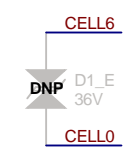
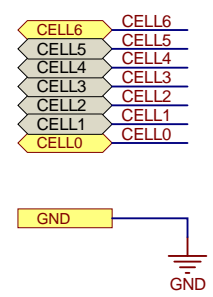
D

A

B

C

D



Texas Instruments and/or its licensors do not warrant the accuracy or completeness of this specification or any information contained therein. Texas Instruments and/or its licensors do not warrant that this design will meet the specifications, will be suitable for your application or fit for any particular purpose, or will operate in an implementation. Texas Instruments and/or its licensors do not warrant that the design is production worthy. You should completely validate and test your design implementation to confirm the system functionality for your application.

Orderable: ChangeMe!	Designed for: Public Release	Mod. Date: 10/7/2018
TID #: N/A	Project Title: Change in menu Project/Project Options/Parameters	
Number: TIDA-01537	Rev: E1	Sheet Title:
SVN Rev: Not in version control	Assembly Variant: 001	Sheet: 4 of 11
Drawn By:	File: TIDA-01537_Automotive96SBMS_VC_CB.SchDoc	Size: B
Engineer: Rama Kambham & Tobias	Contact: http://www.ti.com/support	



A

B

C

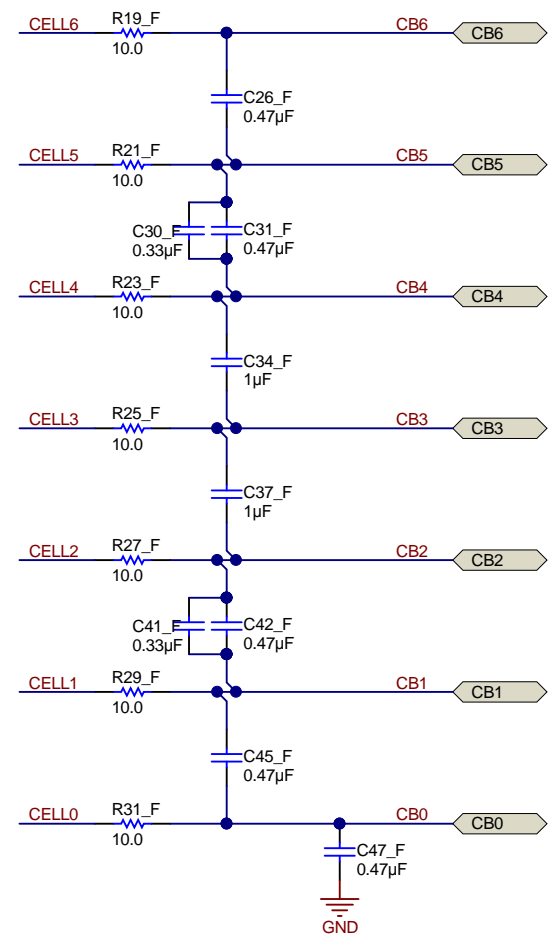
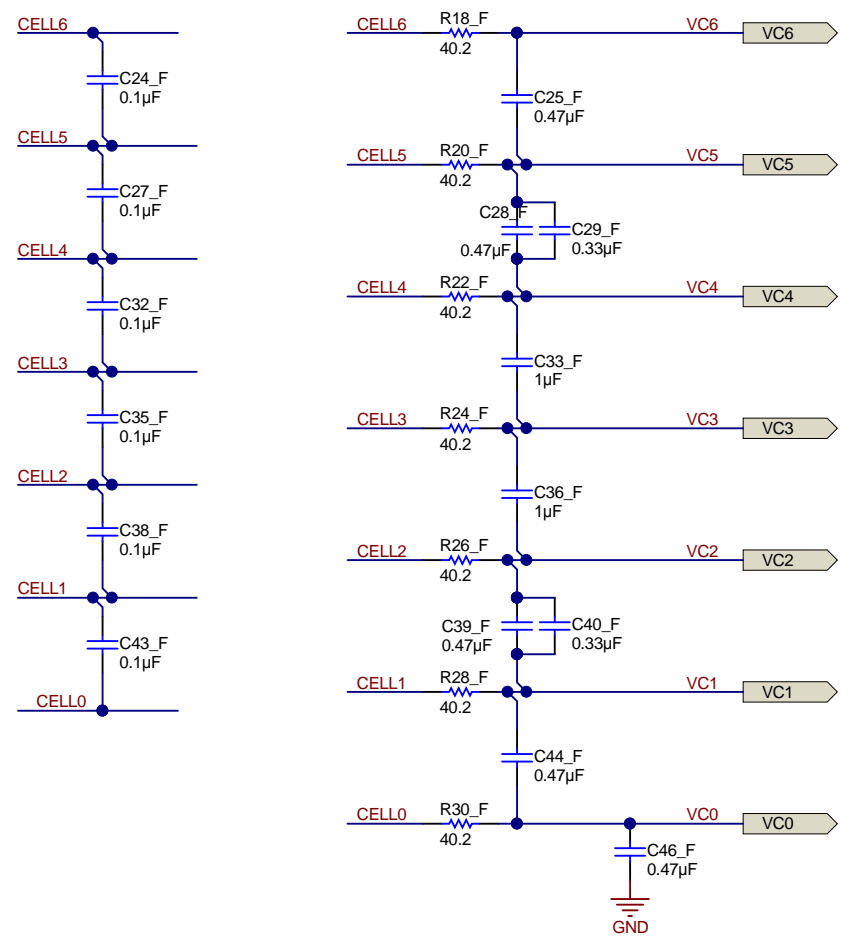
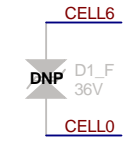
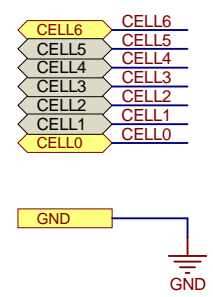
D

A

B

C

D



Texas Instruments and/or its licensors do not warrant the accuracy or completeness of this specification or any information contained therein. Texas Instruments and/or its licensors do not warrant that this design will meet the specifications, will be suitable for your application or fit for any particular purpose, or will operate in an implementation. Texas Instruments and/or its licensors do not warrant that the design is production worthy. You should completely validate and test your design implementation to confirm the system functionality for your application.

Orderable: ChangeMe!	Designed for: Public Release	Mod. Date: 10/7/2018
TID #: N/A	Project Title: Change in menu Project/Project Options/Parameters	
Number: TIDA-01537	Rev: E1	Sheet Title:
SVN Rev: Not in version control	Assembly Variant: 001	Sheet: 4 of 11
Drawn By:	File: TIDA-01537_Automotive96SBMS_VC_CB.SchDoc	Size: B
Engineer: Rama Kambham & Tobias	Contact: http://www.ti.com/support	

© Texas Instruments 2017

A

B

C

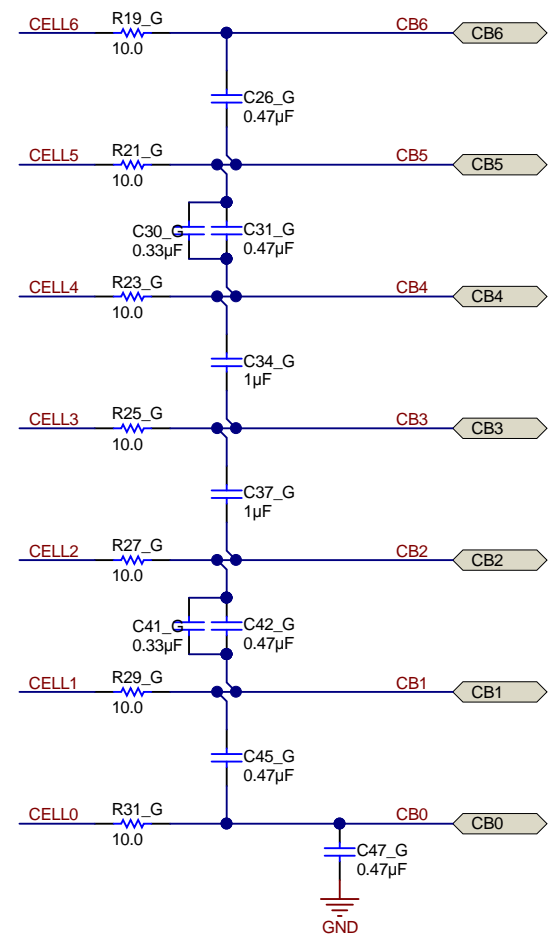
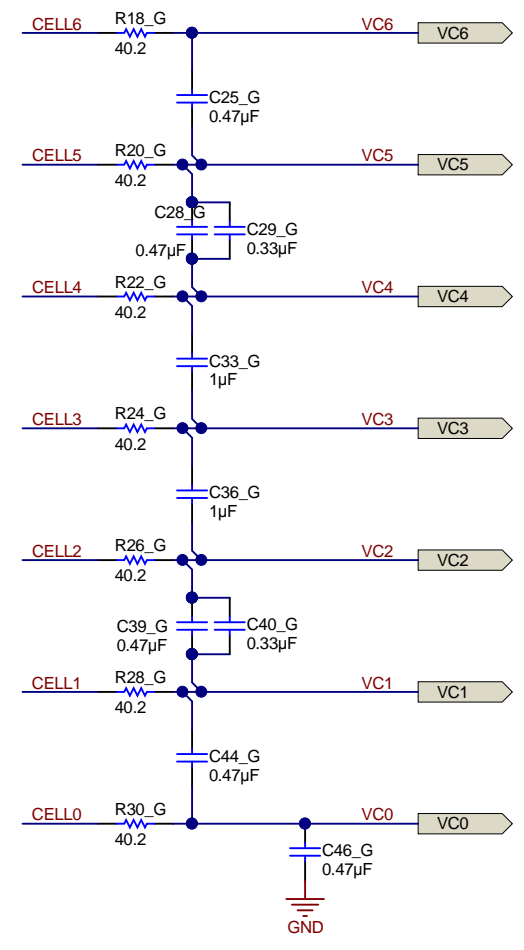
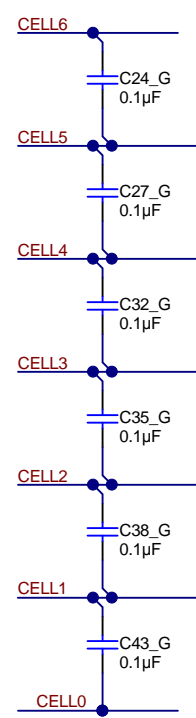
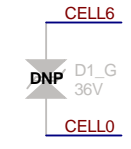
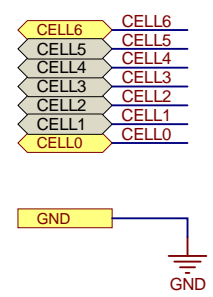
D

A

B

C

D



Texas Instruments and/or its licensors do not warrant the accuracy or completeness of this specification or any information contained therein. Texas Instruments and/or its licensors do not warrant that this design will meet the specifications, will be suitable for your application or fit for any particular purpose, or will operate in an implementation. Texas Instruments and/or its licensors do not warrant that the design is production worthy. You should completely validate and test your design implementation to confirm the system functionality for your application.

Orderable: ChangeMe!	Designed for: Public Release	Mod. Date: 10/7/2018
TID #: N/A	Project Title: Change in menu Project/Project Options/Parameters	
Number: TIDA-01537	Rev: E1	Sheet Title:
SVN Rev: Not in version control	Assembly Variant: 001	Sheet: 4 of 11
Drawn By:	File: TIDA-01537_Automotive96SBMS_VC_CB.SchDoc	Size: B
Engineer: Rama Kambham & Tobias	Contact: http://www.ti.com/support	

© Texas Instruments 2017

A

B

C

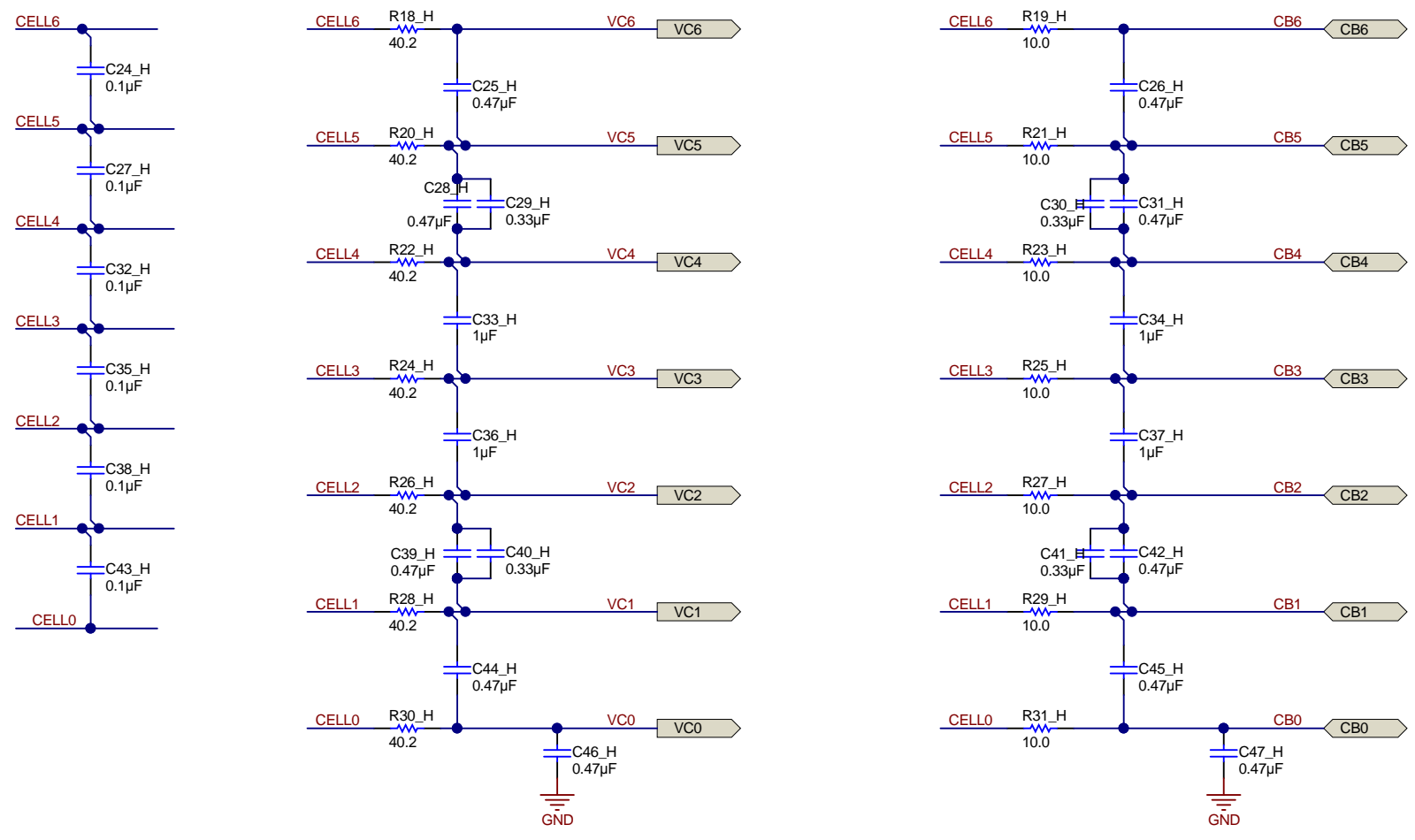
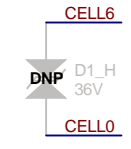
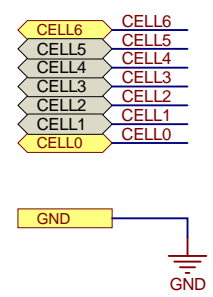
D

A

B

C

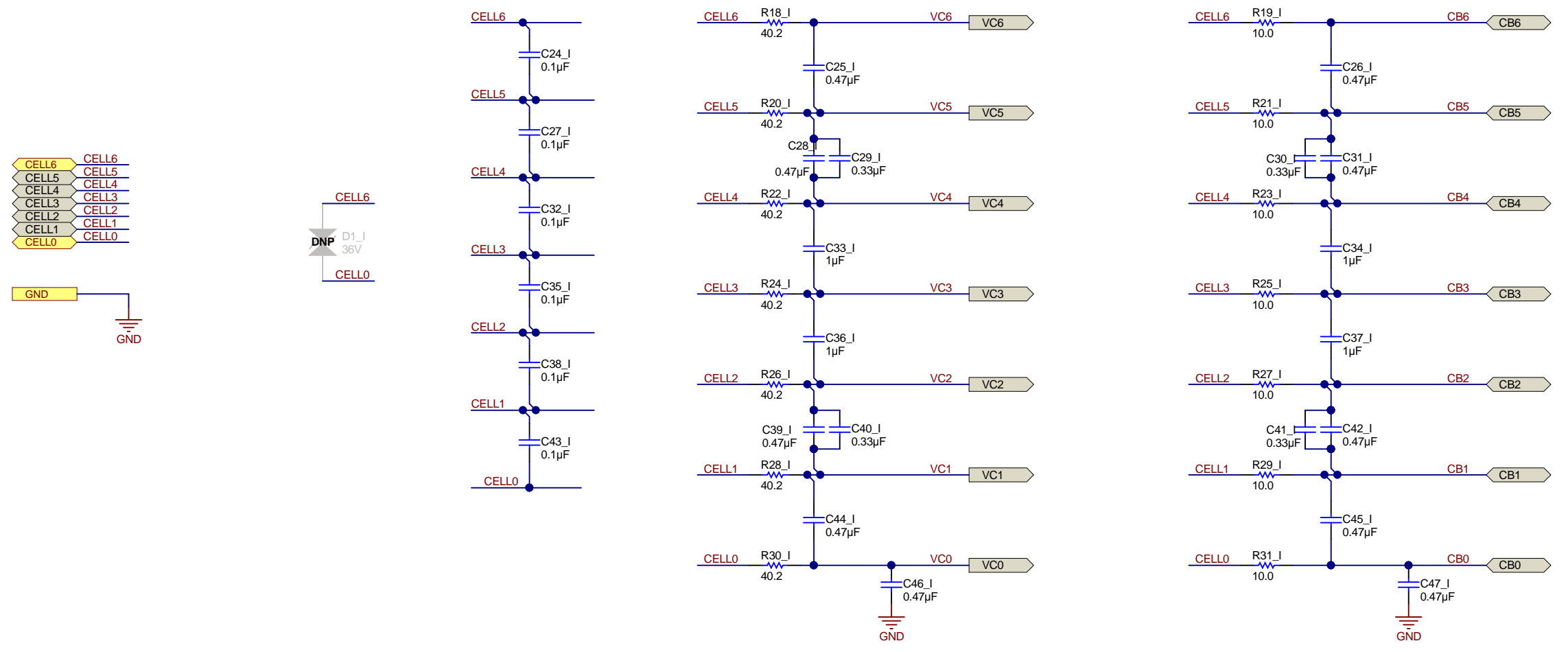
D



Texas Instruments and/or its licensors do not warrant the accuracy or completeness of this specification or any information contained therein. Texas Instruments and/or its licensors do not warrant that this design will meet the specifications, will be suitable for your application or fit for any particular purpose, or will operate in an implementation. Texas Instruments and/or its licensors do not warrant that the design is production worthy. You should completely validate and test your design implementation to confirm the system functionality for your application.

Orderable: ChangeMe!	Designed for: Public Release	Mod. Date: 10/7/2018
TID #: N/A	Project Title: Change in menu Project/Project Options/Parameters	
Number: TIDA-01537	Rev: E1	Sheet Title:
SVN Rev: Not in version control	Assembly Variant: 001	Sheet: 4 of 11
Drawn By:	File: TIDA-01537_Automotive96SBMS_VC_CB.SchDoc	Size: B
Engineer: Rama Kambham & Tobias	Contact: http://www.ti.com/support	

© Texas Instruments 2017



Texas Instruments and/or its licensors do not warrant the accuracy or completeness of this specification or any information contained therein. Texas Instruments and/or its licensors do not warrant that this design will meet the specifications, will be suitable for your application or fit for any particular purpose, or will operate in an implementation. Texas Instruments and/or its licensors do not warrant that the design is production worthy. You should completely validate and test your design implementation to confirm the system functionality for your application.

Orderable: ChangeMe!	Designed for: Public Release	Mod. Date: 10/7/2018
TID #: N/A	Project Title: Change in menu Project/Project Options/Parameters	
Number: TIDA-01537	Rev: E1	Sheet Title:
SVN Rev: Not in version control	Assembly Variant: 001	Sheet: 4 of 11
Drawn By:	File: TIDA-01537_Automotive96SBMS_VC_CB.SchDoc	Size: B
Engineer: Rama Kambham & Tobias	Contact: http://www.ti.com/support	



A

B

C

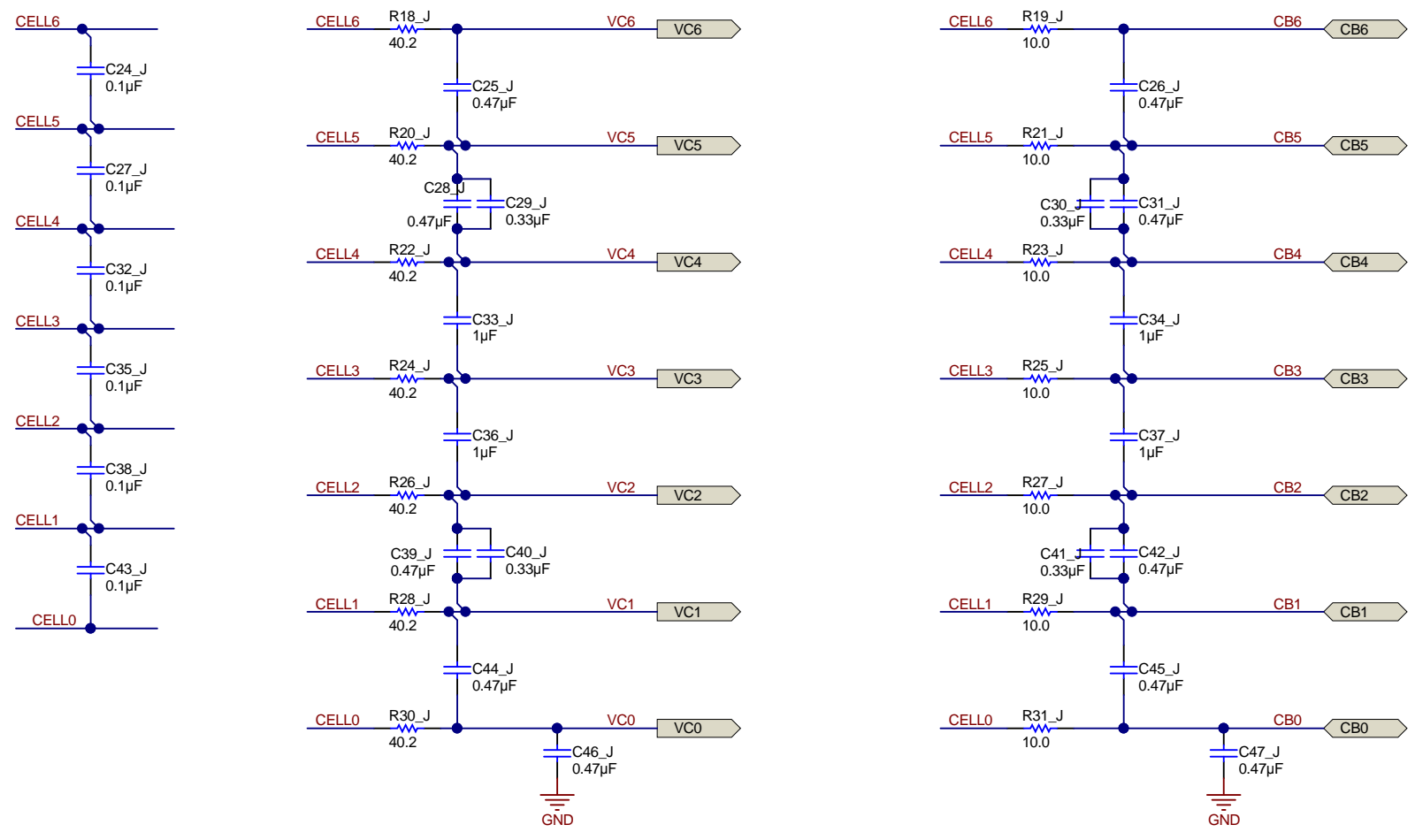
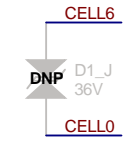
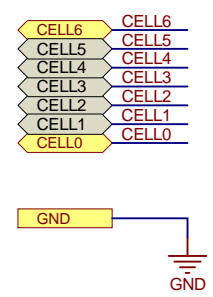
D

A

B

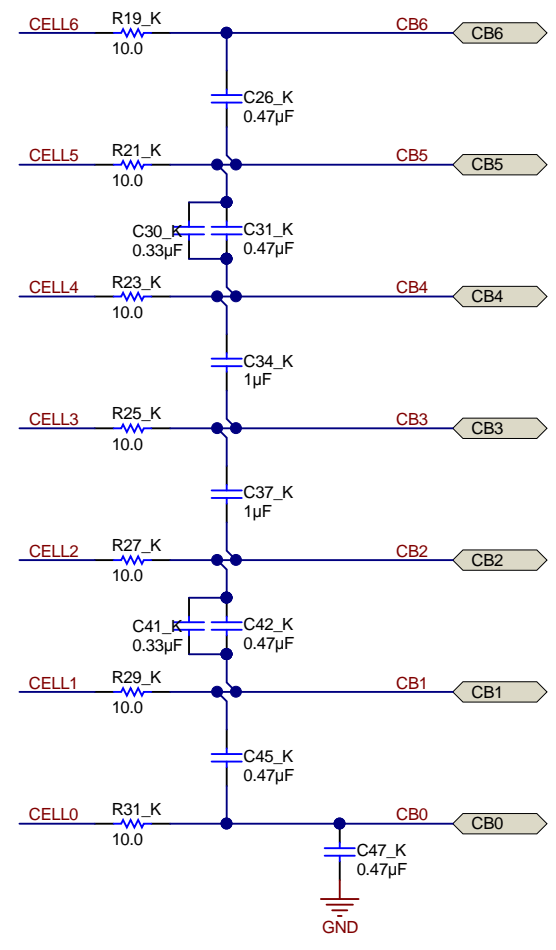
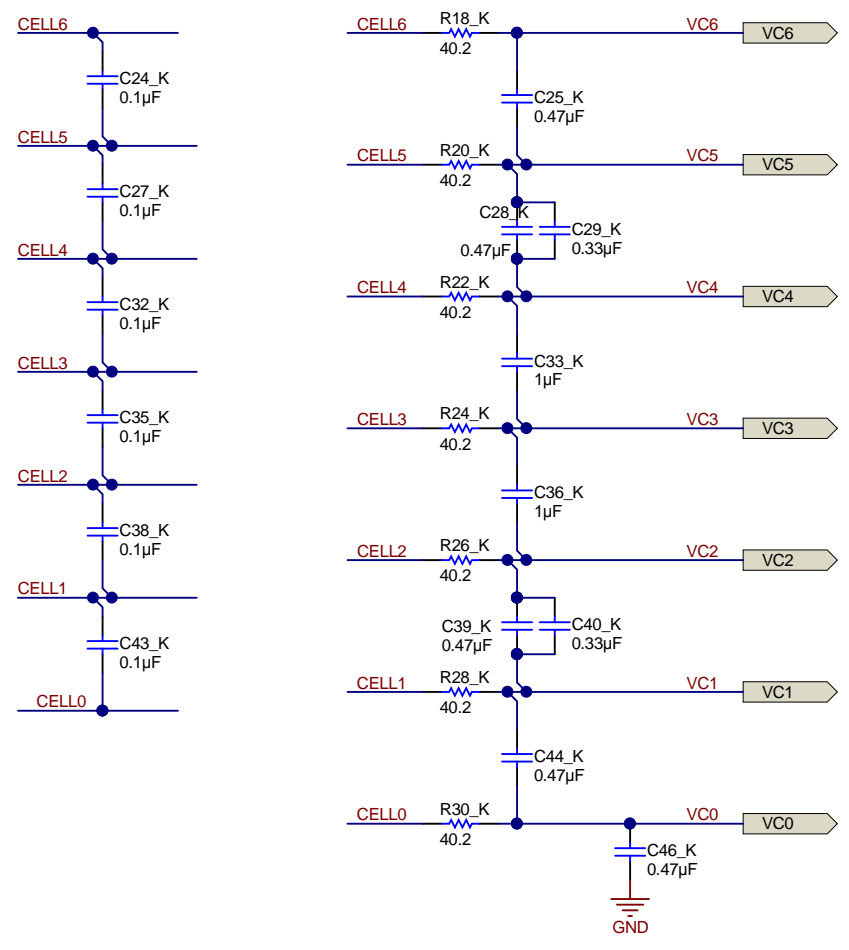
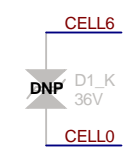
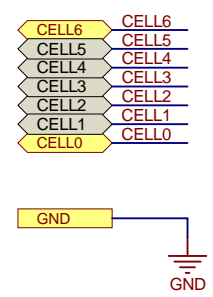
C

D



Texas Instruments and/or its licensors do not warrant the accuracy or completeness of this specification or any information contained therein. Texas Instruments and/or its licensors do not warrant that this design will meet the specifications, will be suitable for your application or fit for any particular purpose, or will operate in an implementation. Texas Instruments and/or its licensors do not warrant that the design is production worthy. You should completely validate and test your design implementation to confirm the system functionality for your application.

Orderable: ChangeMe!	Designed for: Public Release	Mod. Date: 10/7/2018	<p>TEXAS INSTRUMENTS http://www.ti.com © Texas Instruments 2017</p>
TID #: N/A	Project Title: Change in menu Project/Project Options/Parameters	Sheet Title:	
Number: TIDA-01537	Rev: E1	Assembly Variant: 001	
SVN Rev: Not in version control	File: TIDA-01537_Automotive96SBMS_VC_CB.SchDoc	Sheet: 4 of 11	
Drawn By:	Engineer: Rama Kambham & Tobias	Sheet Size: B	



Texas Instruments and/or its licensors do not warrant the accuracy or completeness of this specification or any information contained therein. Texas Instruments and/or its licensors do not warrant that this design will meet the specifications, will be suitable for your application or fit for any particular purpose, or will operate in an implementation. Texas Instruments and/or its licensors do not warrant that the design is production worthy. You should completely validate and test your design implementation to confirm the system functionality for your application.

Orderable: ChangeMe!	Designed for: Public Release	Mod. Date: 10/7/2018
TID #: N/A	Project Title: Change in menu Project/Project Options/Parameters	
Number: TIDA-01537	Rev: E1	Sheet Title:
SVN Rev: Not in version control	Assembly Variant: 001	Sheet: 4 of 11
Drawn By:	File: TIDA-01537_Automotive96SBMS_VC_CB.SchDoc	Size: B
Engineer: Rama Kambham & Tobias	Contact: http://www.ti.com/support	

© Texas Instruments 2017

A

B

C

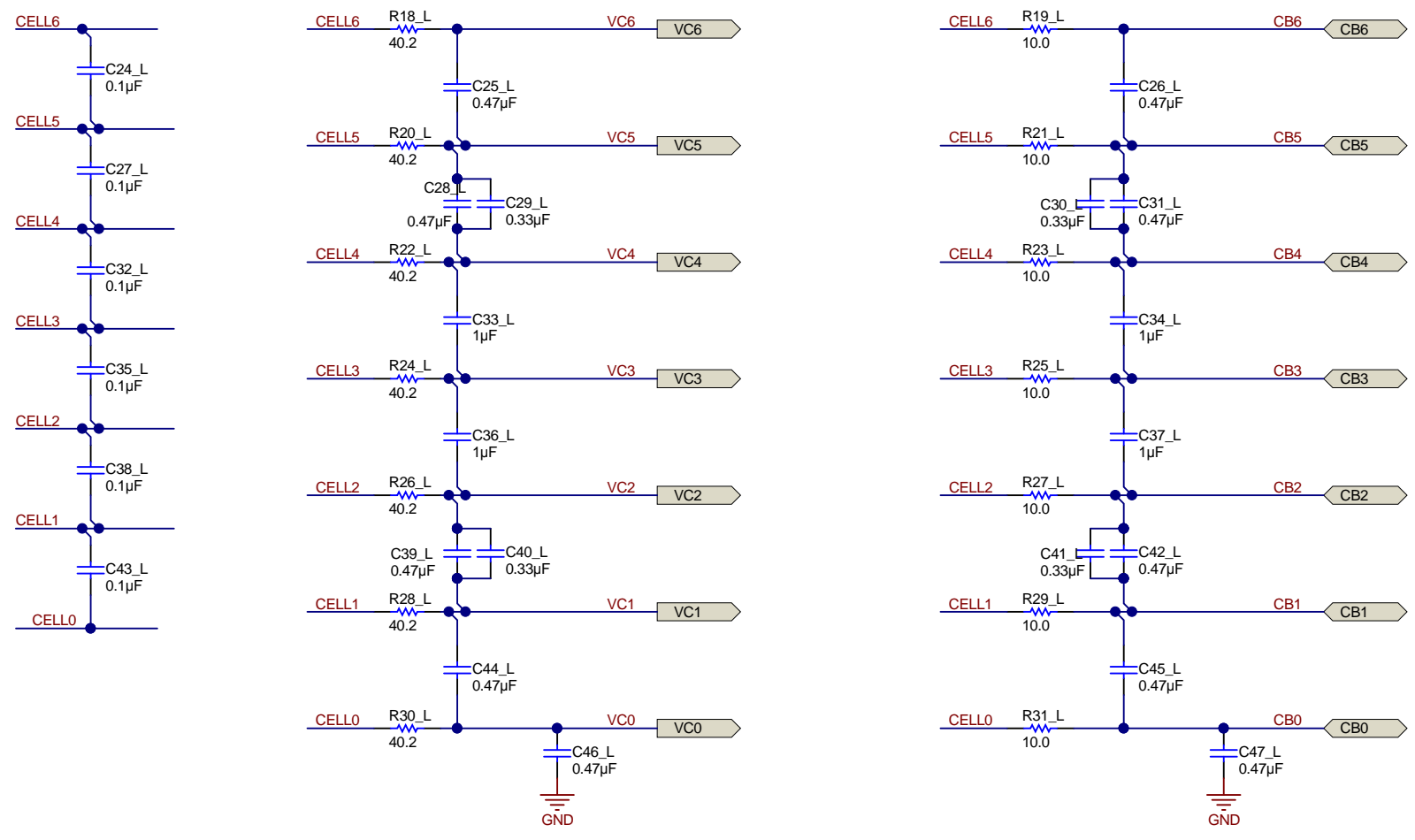
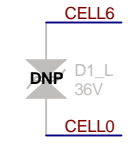
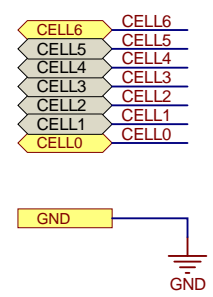
D

A

B

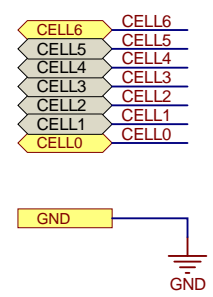
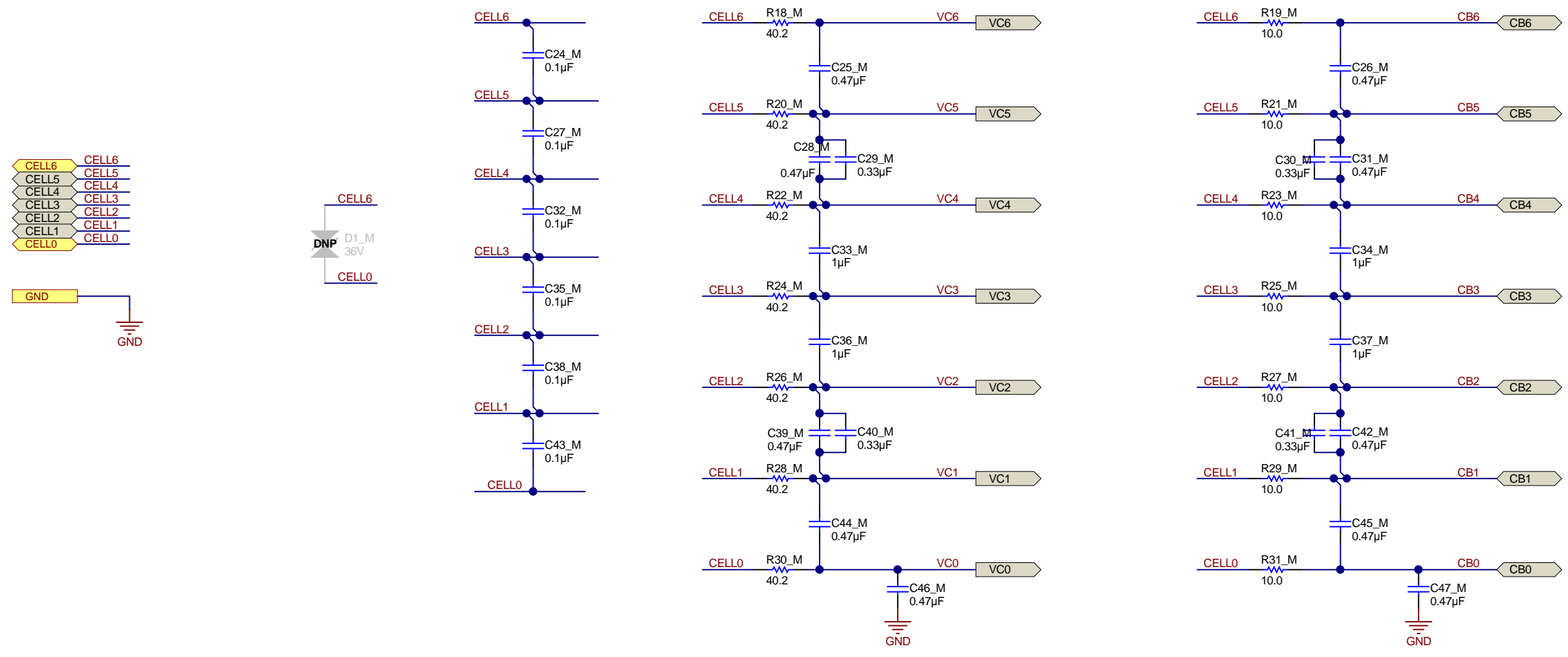
C

D



Texas Instruments and/or its licensors do not warrant the accuracy or completeness of this specification or any information contained therein. Texas Instruments and/or its licensors do not warrant that this design will meet the specifications, will be suitable for your application or fit for any particular purpose, or will operate in an implementation. Texas Instruments and/or its licensors do not warrant that the design is production worthy. You should completely validate and test your design implementation to confirm the system functionality for your application.

Orderable: ChangeMe!	Designed for: Public Release	Mod. Date: 10/7/2018	<p>TEXAS INSTRUMENTS http://www.ti.com © Texas Instruments 2017</p>
TID #: N/A	Project Title: Change in menu Project/Project Options/Parameters	Sheet Title:	
Number: TIDA-01537	Rev: E1	Assembly Variant: 001	
SVN Rev: Not in version control	File: TIDA-01537_Automotive96SBMS_VC_CB.SchDoc	Sheet: 4 of 11	
Drawn By:	Engineer: Rama Kambham & Tobias	Contact: http://www.ti.com/support	



Texas Instruments and/or its licensors do not warrant the accuracy or completeness of this specification or any information contained therein. Texas Instruments and/or its licensors do not warrant that this design will meet the specifications, will be suitable for your application or fit for any particular purpose, or will operate in an implementation. Texas Instruments and/or its licensors do not warrant that the design is production worthy. You should completely validate and test your design implementation to confirm the system functionality for your application.

Orderable: ChangeMe!	Designed for: Public Release	Mod. Date: 10/7/2018
TID #: N/A	Project Title: Change in menu Project/Project Options/Parameters	
Number: TIDA-01537	Rev: E1	Sheet Title:
SVN Rev: Not in version control	Assembly Variant: 001	Sheet: 4 of 11
Drawn By:	File: TIDA-01537_Automotive96SBMS_VC_CB.SchDoc	Size: B
Engineer: Rama Kambham & Tobias	Contact: http://www.ti.com/support	

© Texas Instruments 2017

A

B

C

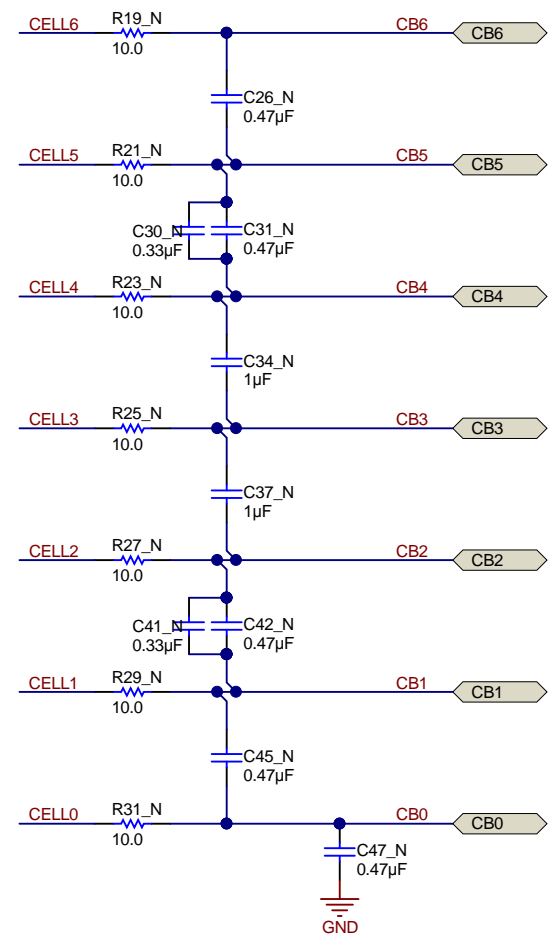
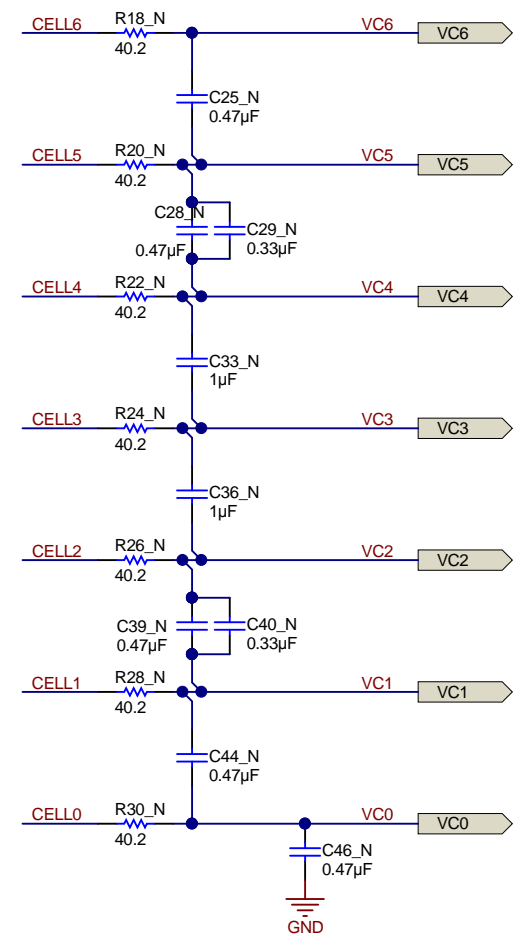
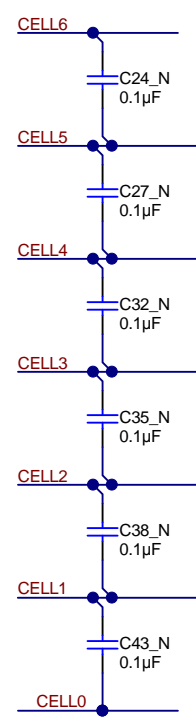
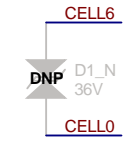
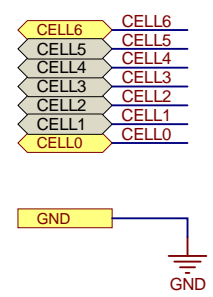
D

A

B

C

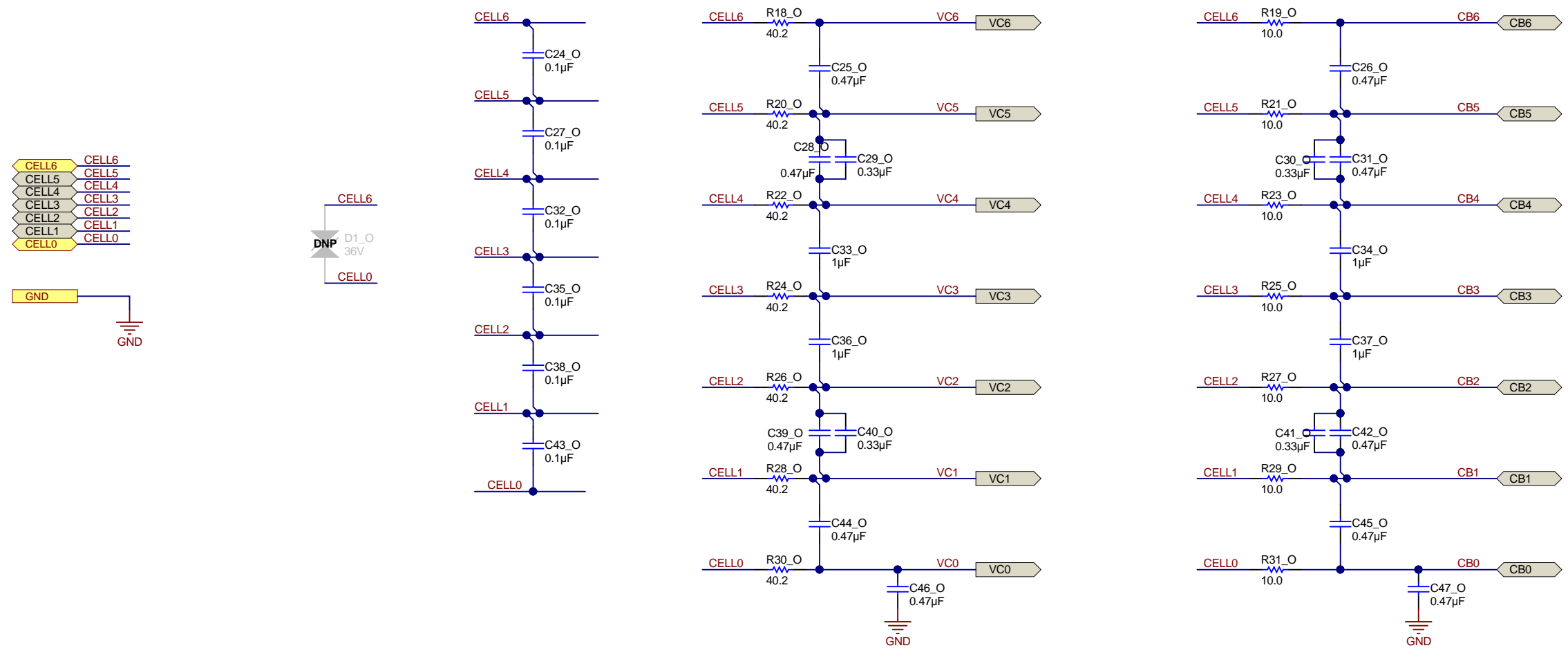
D



Texas Instruments and/or its licensors do not warrant the accuracy or completeness of this specification or any information contained therein. Texas Instruments and/or its licensors do not warrant that this design will meet the specifications, will be suitable for your application or fit for any particular purpose, or will operate in an implementation. Texas Instruments and/or its licensors do not warrant that the design is production worthy. You should completely validate and test your design implementation to confirm the system functionality for your application.

Orderable: ChangeMe!	Designed for: Public Release	Mod. Date: 10/7/2018
TID #: N/A	Project Title: Change in menu Project/Project Options/Parameters	
Number: TIDA-01537	Rev: E1	Sheet Title:
SVN Rev: Not in version control	Assembly Variant: 001	Sheet: 4 of 11
Drawn By:	File: TIDA-01537_Automotive96SBMS_VC_CB.SchDoc	Size: B
Engineer: Rama Kambham & Tobias	Contact: http://www.ti.com/support	





Texas Instruments and/or its licensors do not warrant the accuracy or completeness of this specification or any information contained therein. Texas Instruments and/or its licensors do not warrant that this design will meet the specifications, will be suitable for your application or fit for any particular purpose, or will operate in an implementation. Texas Instruments and/or its licensors do not warrant that the design is production worthy. You should completely validate and test your design implementation to confirm the system functionality for your application.

Orderable: ChangeMe!	Designed for: Public Release	Mod. Date: 10/7/2018
TID #: N/A	Project Title: Change in menu Project/Project Options/Parameters	
Number: TIDA-01537	Rev: E1	Sheet Title:
SVN Rev: Not in version control	Assembly Variant: 001	Sheet: 4 of 11
Drawn By:	File: TIDA-01537_Automotive96SBMS_VC_CB.SchDoc	Size: B
Engineer: Rama Kambham & Tobias	Contact: http://www.ti.com/support	

© Texas Instruments 2017



A

B

C

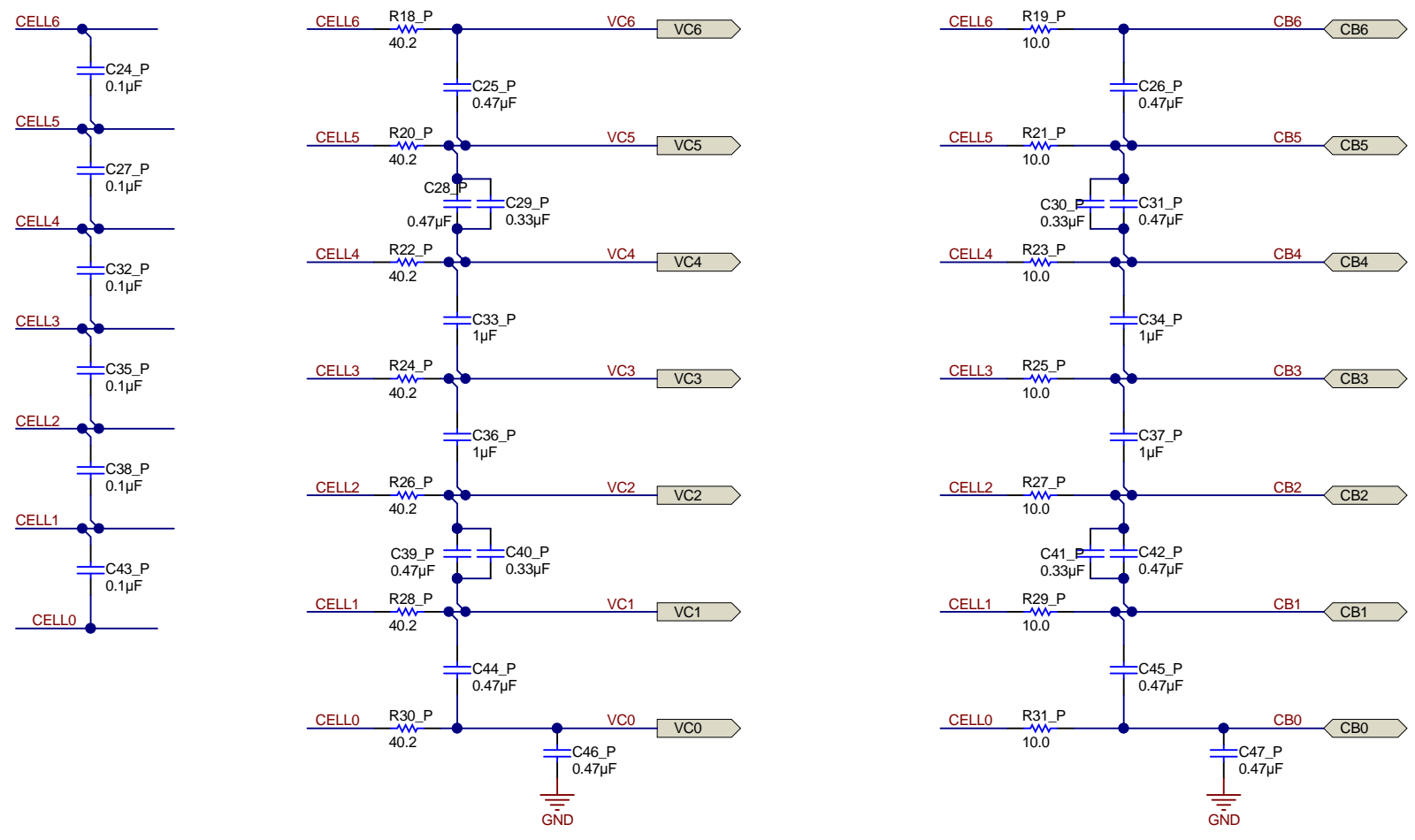
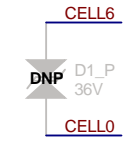
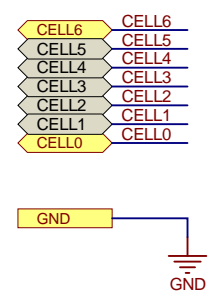
D

A

B

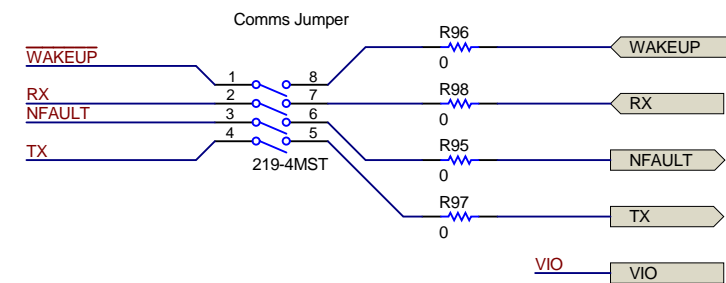
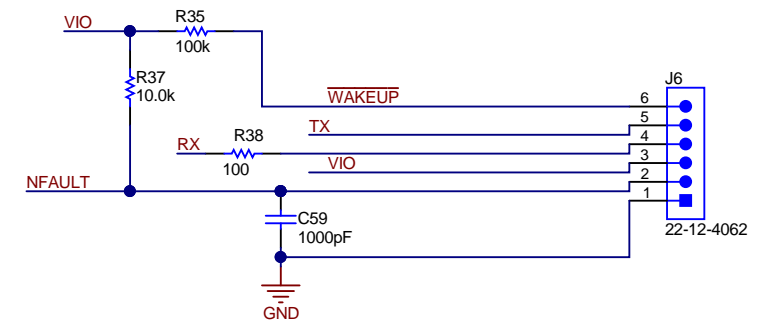
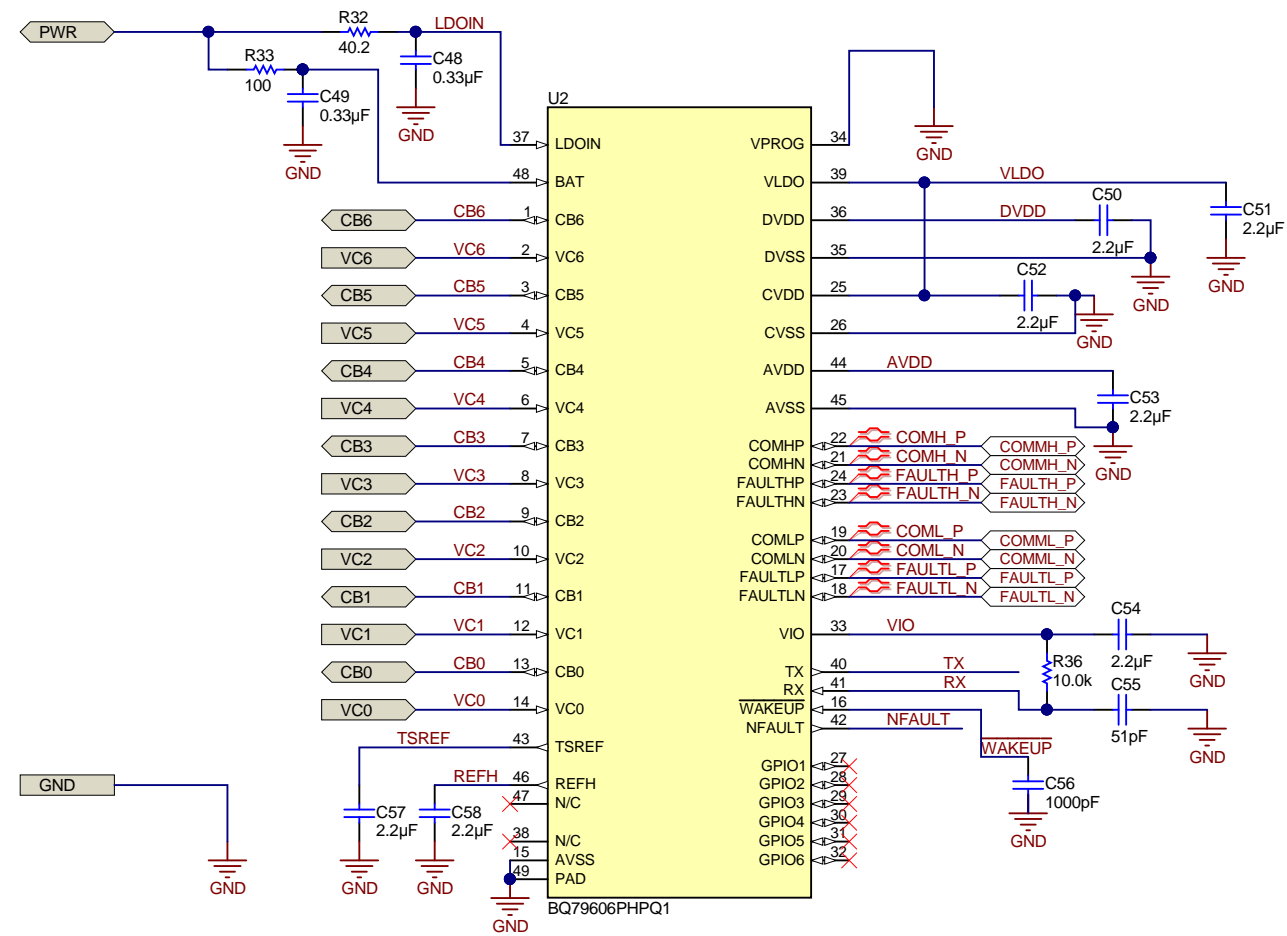
C

D



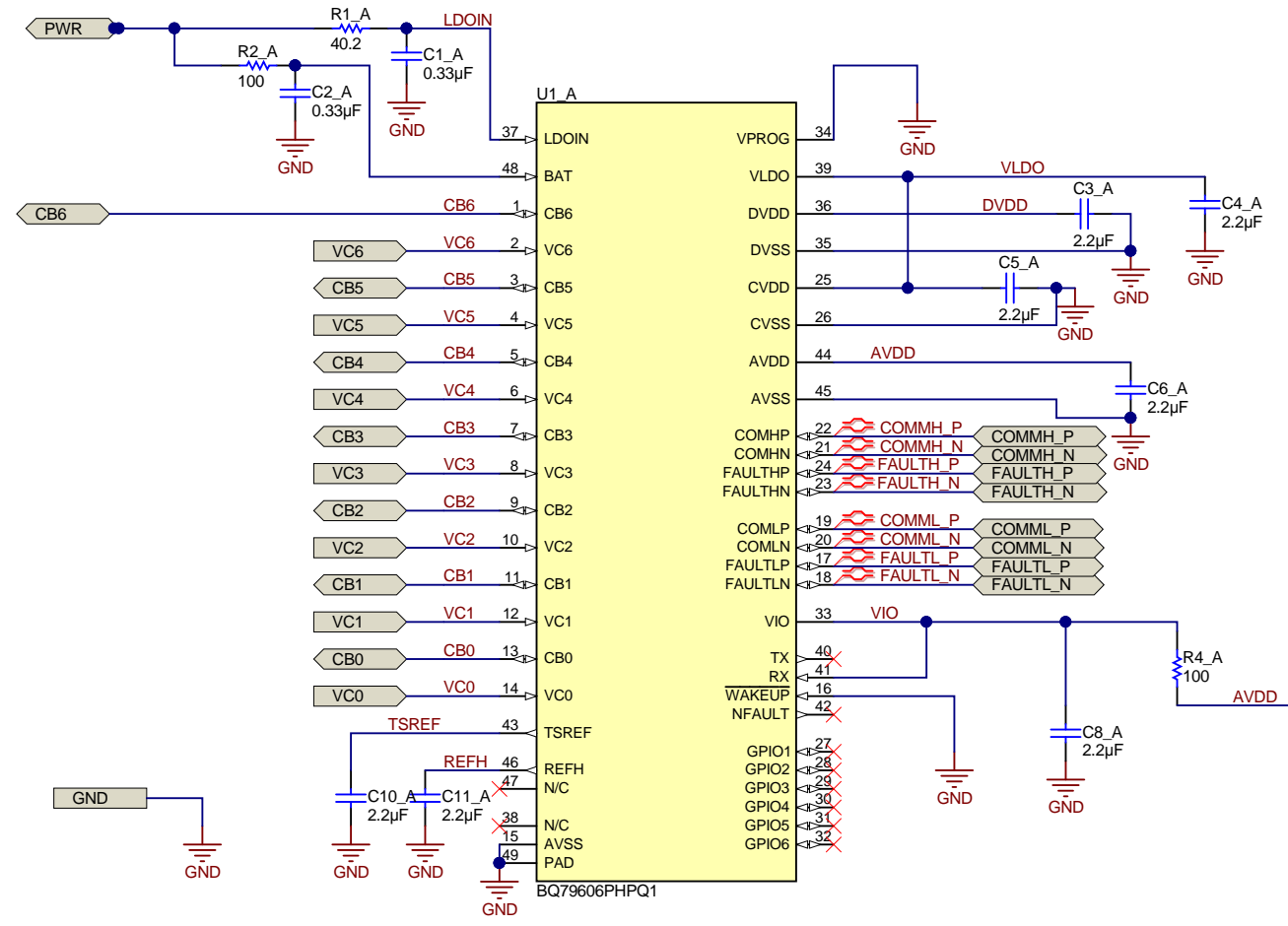
Texas Instruments and/or its licensors do not warrant the accuracy or completeness of this specification or any information contained therein. Texas Instruments and/or its licensors do not warrant that this design will meet the specifications, will be suitable for your application or fit for any particular purpose, or will operate in an implementation. Texas Instruments and/or its licensors do not warrant that the design is production worthy. You should completely validate and test your design implementation to confirm the system functionality for your application.

Orderable: ChangeMe!	Designed for: Public Release	Mod. Date: 10/7/2018	<p>TEXAS INSTRUMENTS http://www.ti.com © Texas Instruments 2017</p>
TID #: N/A	Project Title: Change in menu Project/Project Options/Parameters	Sheet Title:	
Number: TIDA-01537	Rev: E1	Assembly Variant: 001	
SVN Rev: Not in version control	File: TIDA-01537_Automotive96SBMS_VC_CB.SchDoc	Sheet: 4 of 11	
Drawn By:	Engineer: Rama Kambham & Tobias	Contact: http://www.ti.com/support	



Texas Instruments and/or its licensors do not warrant the accuracy or completeness of this specification or any information contained therein. Texas Instruments and/or its licensors do not warrant that this design will meet the specifications, will be suitable for your application or fit for any particular purpose, or will operate in an implementation. Texas Instruments and/or its licensors do not warrant that the design is production worthy. You should completely validate and test your design implementation to confirm the system functionality for your application.

Orderable: ChangeMe!	Designed for: Public Release	Mod. Date: 6/5/2018
TID #: N/A	Project Title: Change in menu Project/Project Options/Parameters	
Number: TIDA-01537	Rev: E1	Sheet Title:
SVN Rev: Not in version control	Assembly Variant: 001	Sheet: 5 of 11
Drawn By:	File: TIDA-01537_Automotive96SBMS_BQ79606Base	Size: 6
Engineer: Rama Kambham & Tobias	Contact: http://www.ti.com/support	

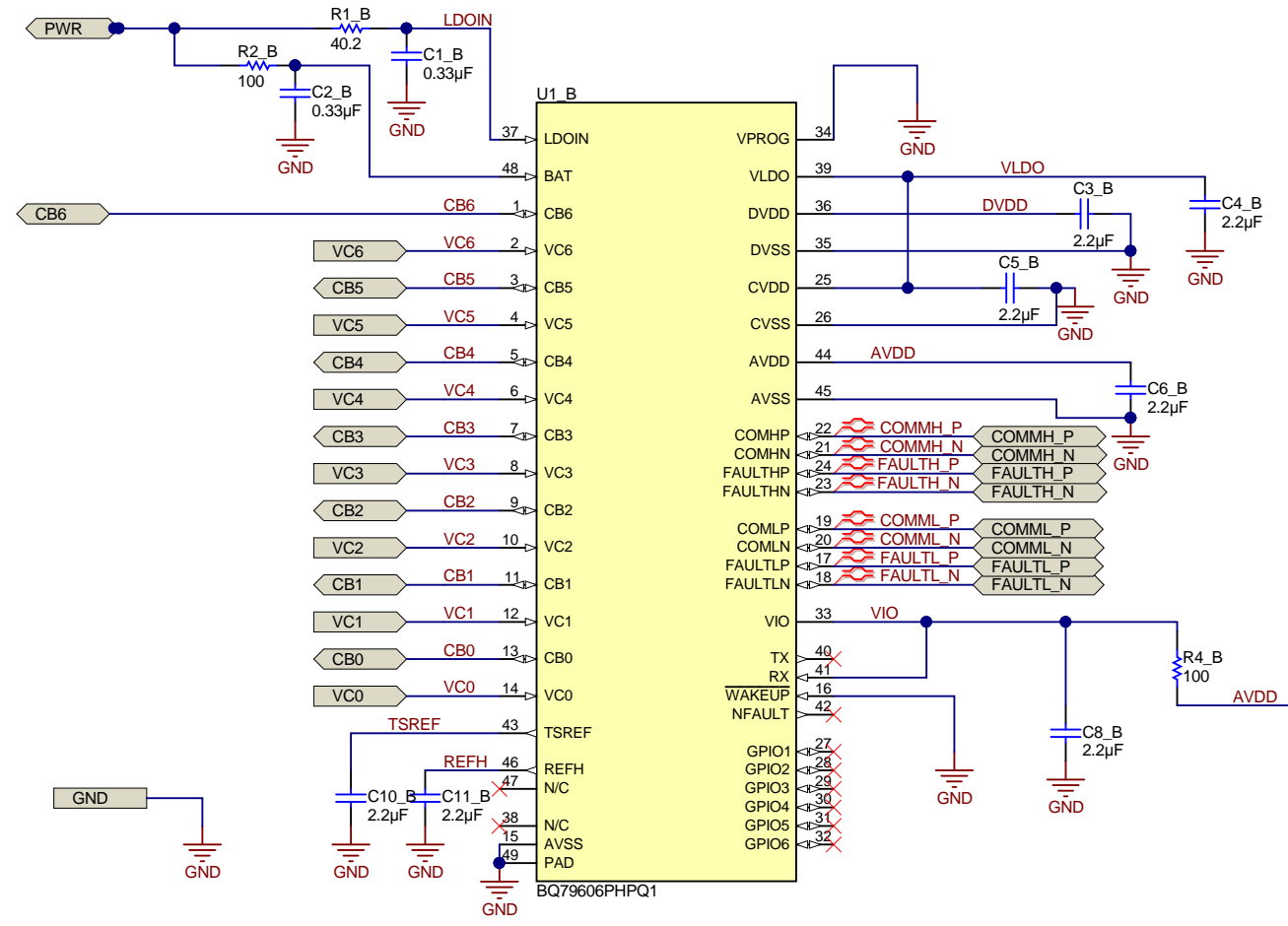


GND is local to sheet
NET Labels are local to sheet

Texas Instruments and/or its licensors do not warrant the accuracy or completeness of this specification or any information contained therein. Texas Instruments and/or its licensors do not warrant that this design will meet the specifications, will be suitable for your application or fit for any particular purpose, or will operate in an implementation. Texas Instruments and/or its licensors do not warrant that the design is production worthy. You should completely validate and test your design implementation to confirm the system functionality for your application.

Orderable: ChangeMe!	Designed for: Public Release	Mod. Date: 6/5/2018
TID #: N/A	Project Title: Change in menu Project/Project Options/Parameters	
Number: TIDA-01537	Rev: E1	Sheet Title:
SVN Rev: Not in version control	Assembly Variant: 001	Sheet: 6 of 11
Drawn By:	File: TIDA-01537_Automotive96SBMS_BQ79606Stack.SchDoc	
Engineer: Rama Kambham & Tobias	Contact: http://www.ti.com/support	



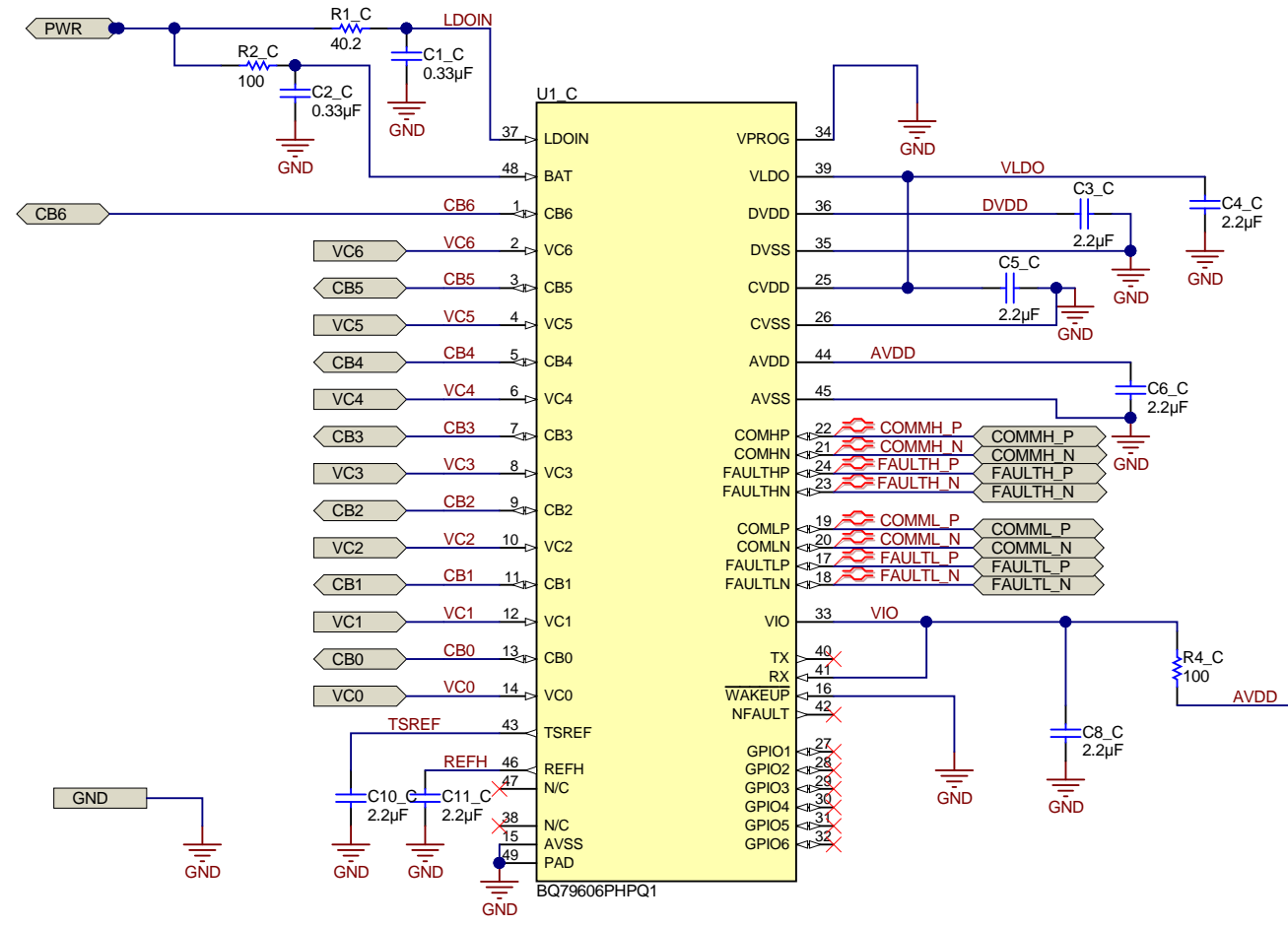


GND is local to sheet
NET Labels are local to sheet

Texas Instruments and/or its licensors do not warrant the accuracy or completeness of this specification or any information contained therein. Texas Instruments and/or its licensors do not warrant that this design will meet the specifications, will be suitable for your application or fit for any particular purpose, or will operate in an implementation. Texas Instruments and/or its licensors do not warrant that the design is production worthy. You should completely validate and test your design implementation to confirm the system functionality for your application.

Orderable: ChangeMe!	Designed for: Public Release	Mod. Date: 6/5/2018
TID #: N/A	Project Title: Change in menu Project/Project Options/Parameters	
Number: TIDA-01537	Rev: E1	Sheet Title:
SVN Rev: Not in version control	Assembly Variant: 001	Sheet: 6 of 11
Drawn By:	File: TIDA-01537_Automotive96SBMS_BQ79606Stack.SchDoc	
Engineer: Rama Kambham & Tobias	Contact: http://www.ti.com/support	



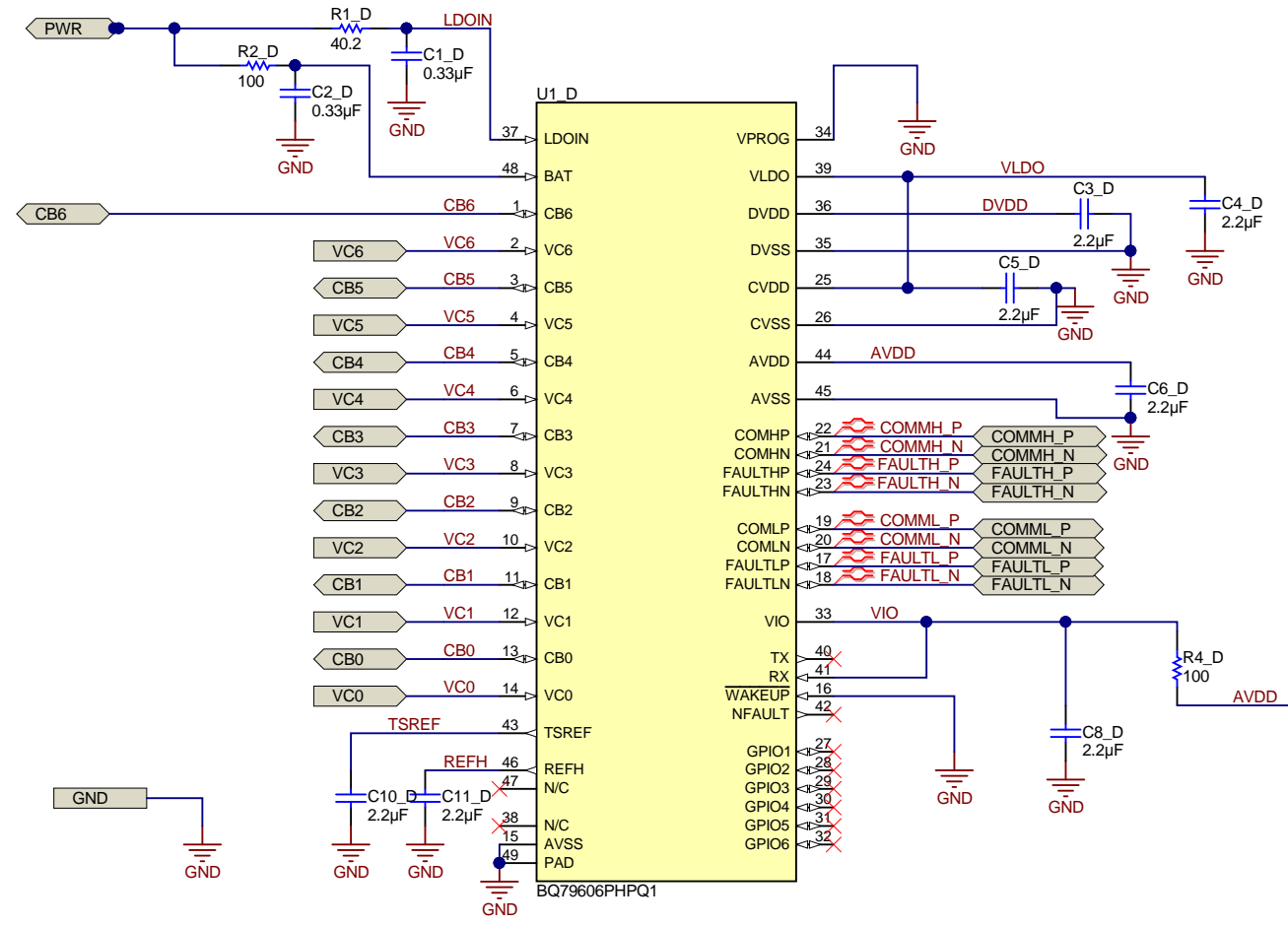


GND is local to sheet
NET Labels are local to sheet

Texas Instruments and/or its licensors do not warrant the accuracy or completeness of this specification or any information contained therein. Texas Instruments and/or its licensors do not warrant that this design will meet the specifications, will be suitable for your application or fit for any particular purpose, or will operate in an implementation. Texas Instruments and/or its licensors do not warrant that the design is production worthy. You should completely validate and test your design implementation to confirm the system functionality for your application.

Orderable: ChangeMe!	Designed for: Public Release	Mod. Date: 6/5/2018
TID #: N/A	Project Title: Change in menu Project/Project Options/Parameters	
Number: TIDA-01537	Rev: E1	Sheet Title:
SVN Rev: Not in version control	Assembly Variant: 001	Sheet: 6 of 11
Drawn By:	File: TIDA-01537_Automotive96SBMS_BQ79606Stack_SchDoc	
Engineer: Rama Kambham & Tobias	Contact: http://www.ti.com/support	

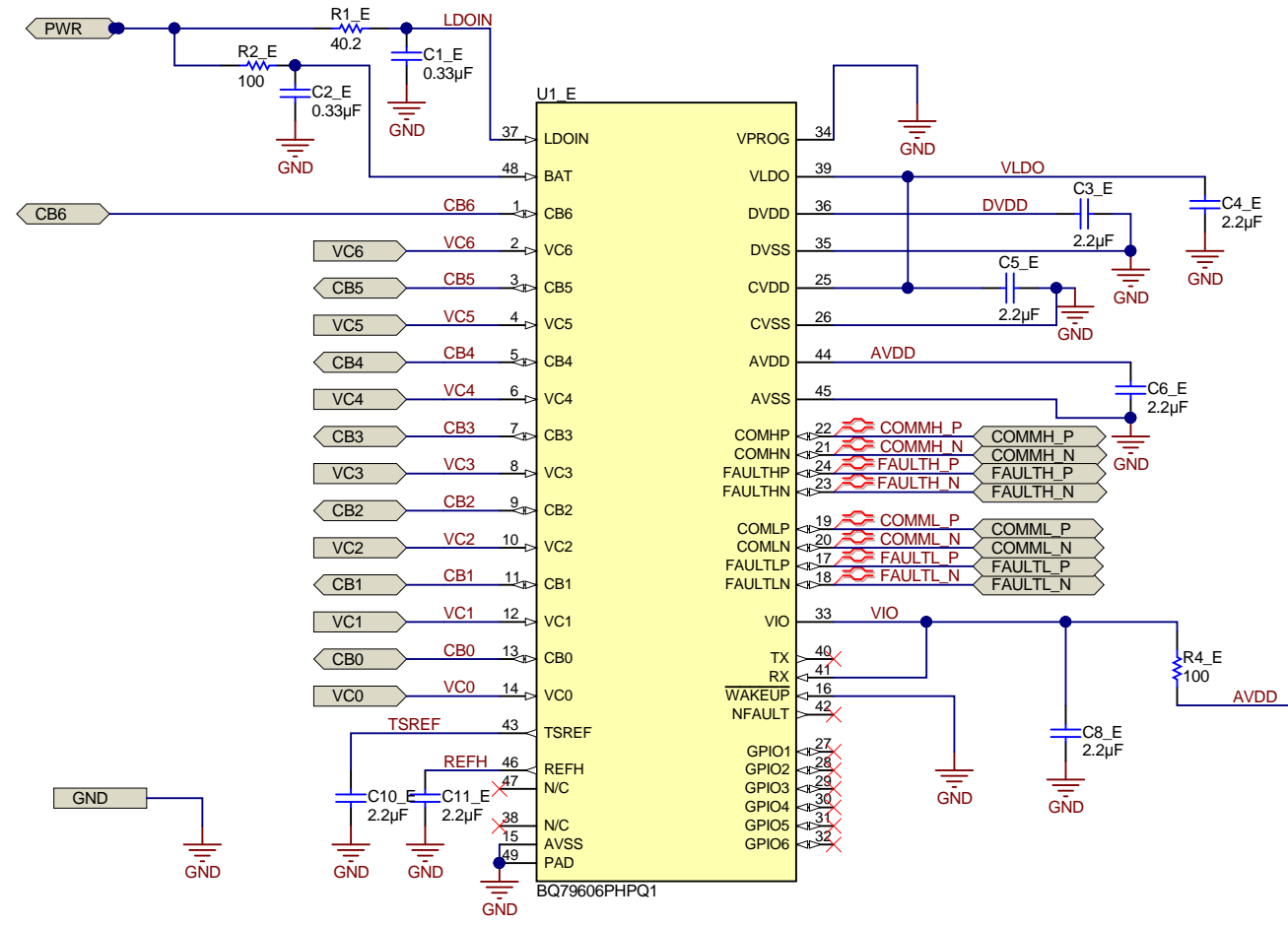




GND is local to sheet
NET Labels are local to sheet

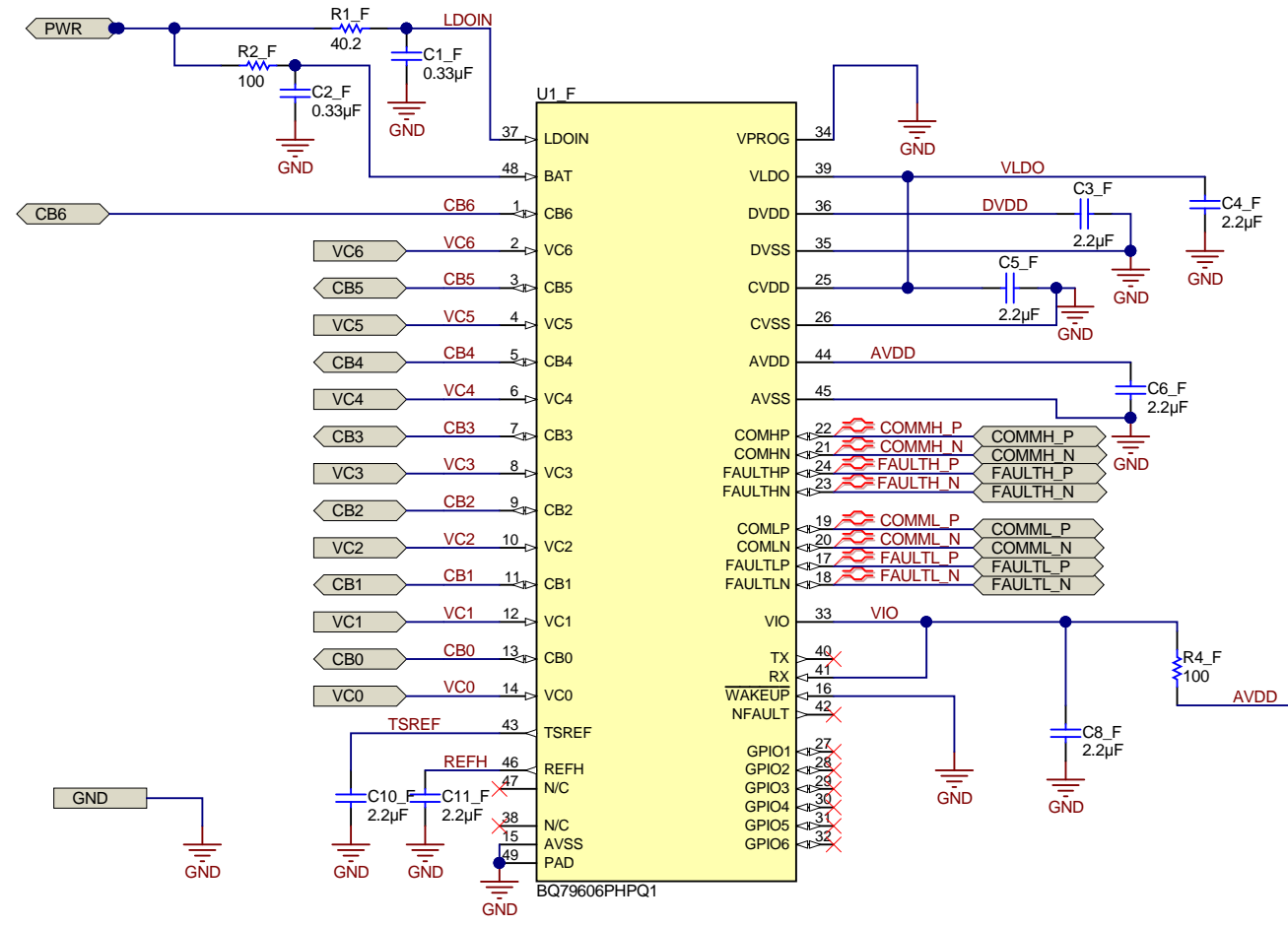
Texas Instruments and/or its licensors do not warrant the accuracy or completeness of this specification or any information contained therein. Texas Instruments and/or its licensors do not warrant that this design will meet the specifications, will be suitable for your application or fit for any particular purpose, or will operate in an implementation. Texas Instruments and/or its licensors do not warrant that the design is production worthy. You should completely validate and test your design implementation to confirm the system functionality for your application.

Orderable: ChangeMe!	Designed for: Public Release	Mod. Date: 6/5/2018	<p>TEXAS INSTRUMENTS http://www.ti.com © Texas Instruments 2017</p>
TID #: N/A	Project Title: Change in menu Project/Project Options/Parameters		
Number: TIDA-01537	Rev: E1	Sheet Title:	
SVN Rev: Not in version control	Assembly Variant: 001	Sheet: 6 of 11	
Drawn By:	File: TIDA-01537_Automotive96SBMS_BQ79606Stack.SchDoc	Size: 800x800	
Engineer: Rama Kambham & Tobias	Contact: http://www.ti.com/support		



GND is local to sheet
NET Labels are local to sheet

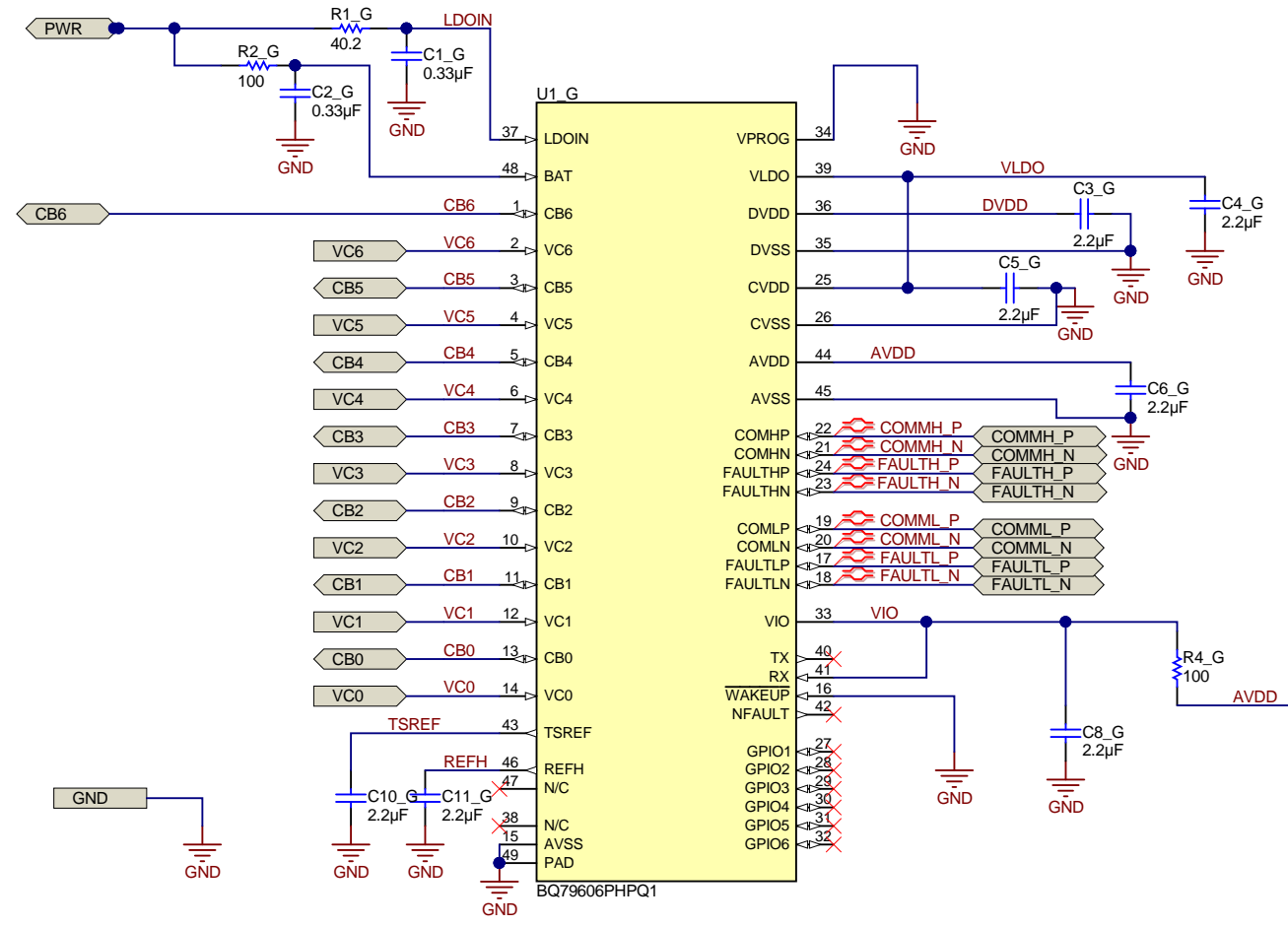
Texas Instruments and/or its licensors do not warrant the accuracy or completeness of this specification or any information contained therein. Texas Instruments and/or its licensors do not warrant that this design will meet the specifications, will be suitable for your application or fit for any particular purpose, or will operate in an implementation. Texas Instruments and/or its licensors do not warrant that the design is production worthy. You should completely validate and test your design implementation to confirm the system functionality for your application.



GND is local to sheet
NET Labels are local to sheet

Texas Instruments and/or its licensors do not warrant the accuracy or completeness of this specification or any information contained therein. Texas Instruments and/or its licensors do not warrant that this design will meet the specifications, will be suitable for your application or fit for any particular purpose, or will operate in an implementation. Texas Instruments and/or its licensors do not warrant that the design is production worthy. You should completely validate and test your design implementation to confirm the system functionality for your application.

Orderable: ChangeMe!	Designed for: Public Release	Mod. Date: 6/5/2018	<p>TEXAS INSTRUMENTS http://www.ti.com © Texas Instruments 2017</p>
TID #: N/A	Project Title: Change in menu Project/Project Options/Parameters		
Number: TIDA-01537	Rev: E1	Sheet Title:	
SVN Rev: Not in version control	Assembly Variant: 001	Sheet: 6 of 11	
Drawn By:	File: TIDA-01537_Automotive96SBMS_BQ79606Stack.SchDoc	Size: 800x800	
Engineer: Rama Kambham & Tobias	Contact: http://www.ti.com/support		



GND is local to sheet
NET Labels are local to sheet

Texas Instruments and/or its licensors do not warrant the accuracy or completeness of this specification or any information contained therein. Texas Instruments and/or its licensors do not warrant that this design will meet the specifications, will be suitable for your application or fit for any particular purpose, or will operate in an implementation. Texas Instruments and/or its licensors do not warrant that the design is production worthy. You should completely validate and test your design implementation to confirm the system functionality for your application.

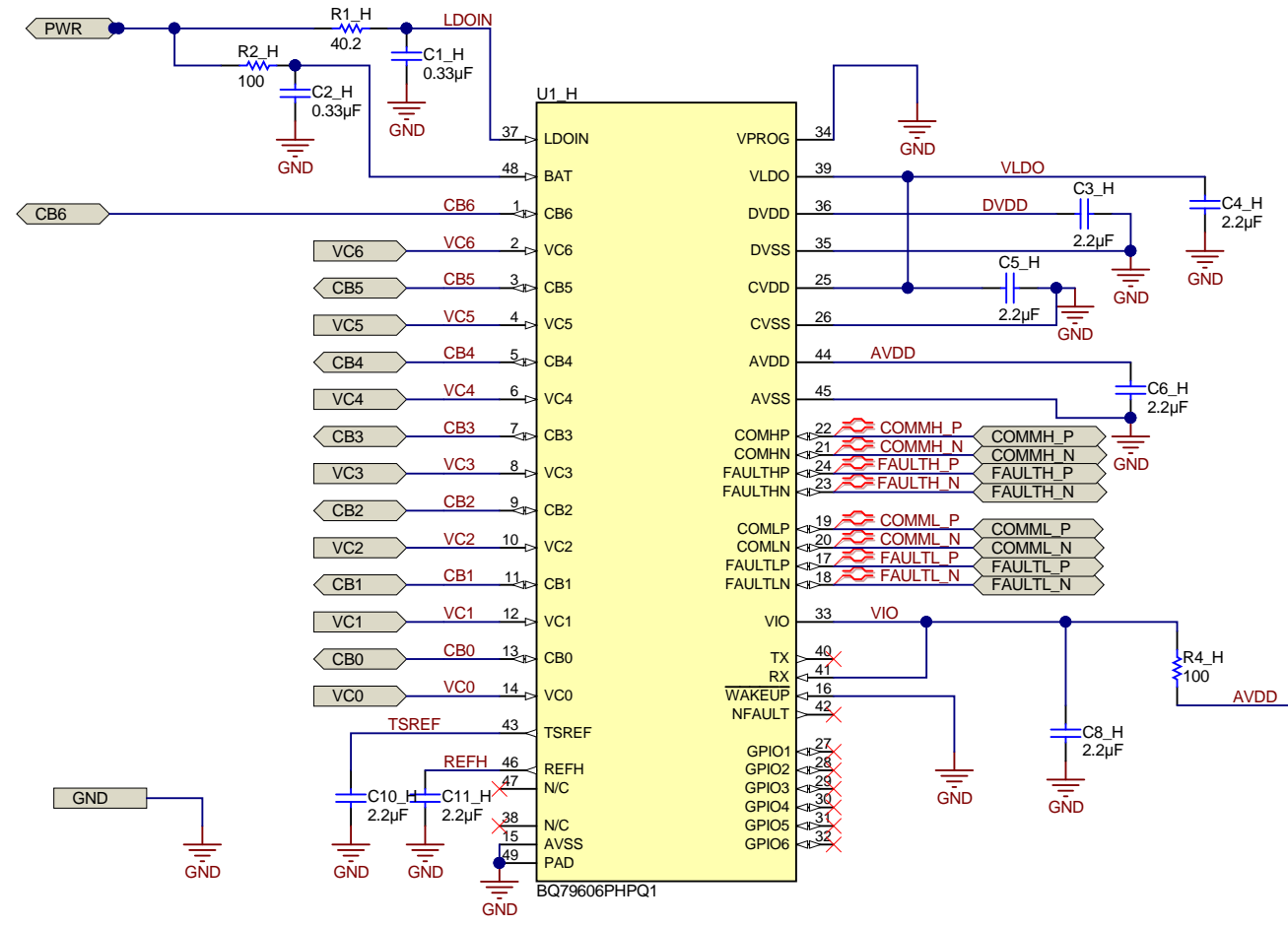
Orderable: ChangeMe!	Designed for: Public Release	Mod. Date: 6/5/2018	<p>TEXAS INSTRUMENTS http://www.ti.com © Texas Instruments 2017</p>
TID #: N/A	Project Title: Change in menu Project/Options/Parameters		
Number: TIDA-01537	Rev: E1	Sheet Title:	
SVN Rev: Not in version control	Assembly Variant: 001	Sheet: 6 of 11	
Drawn By:	File: TIDA-01537_Automotive96SBMS_BQ79606StackSizeDBc		
Engineer: Rama Kambham & Tobias	Contact: http://www.ti.com/support		

A

B


C

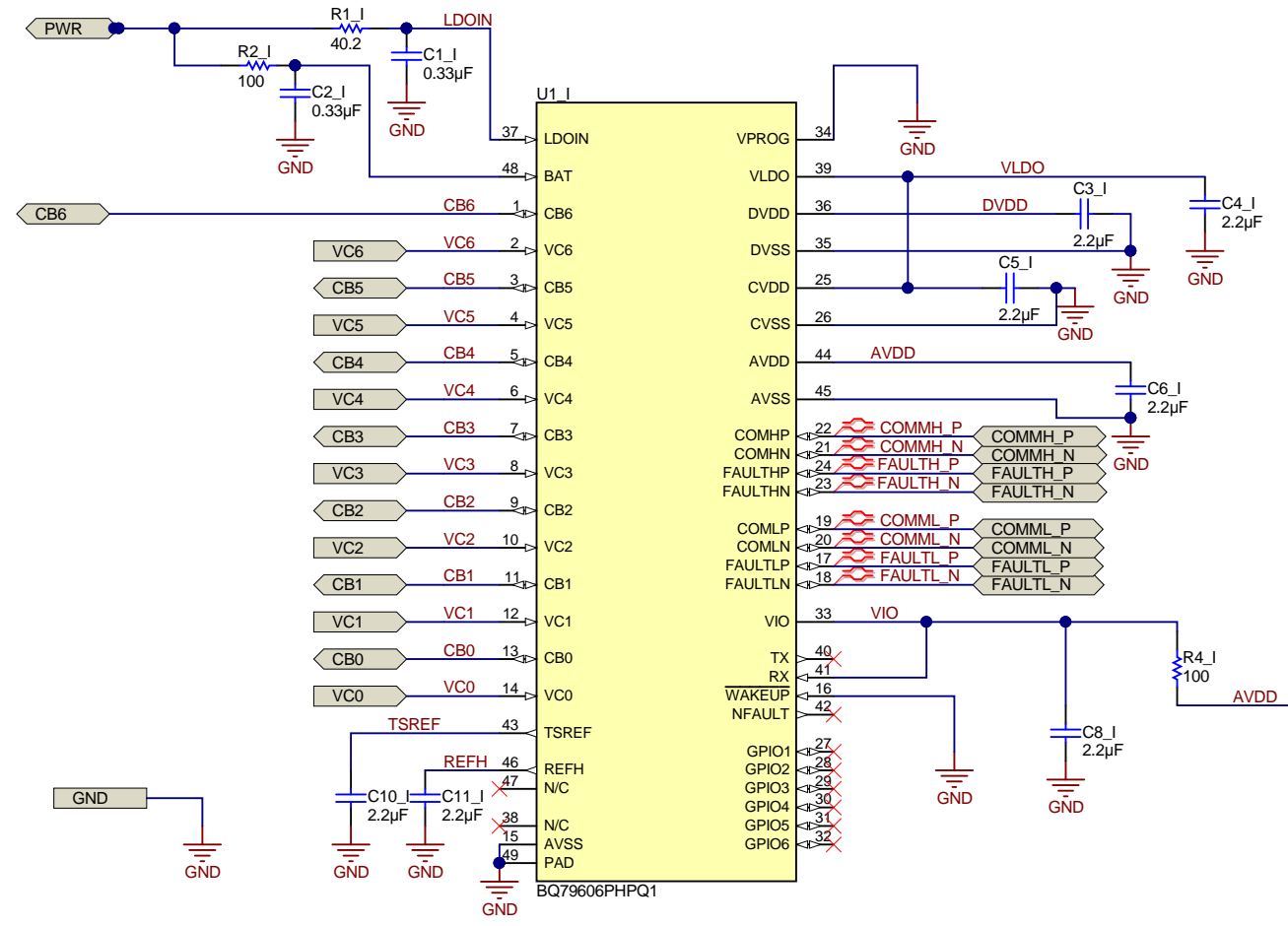
D



GND is local to sheet
NET Labels are local to sheet


Texas Instruments and/or its licensors do not warrant the accuracy or completeness of this specification or any information contained therein. Texas Instruments and/or its licensors do not warrant that this design will meet the specifications, will be suitable for your application or fit for any particular purpose, or will operate in an implementation. Texas Instruments and/or its licensors do not warrant that the design is production worthy. You should completely validate and test your design implementation to confirm the system functionality for your application.

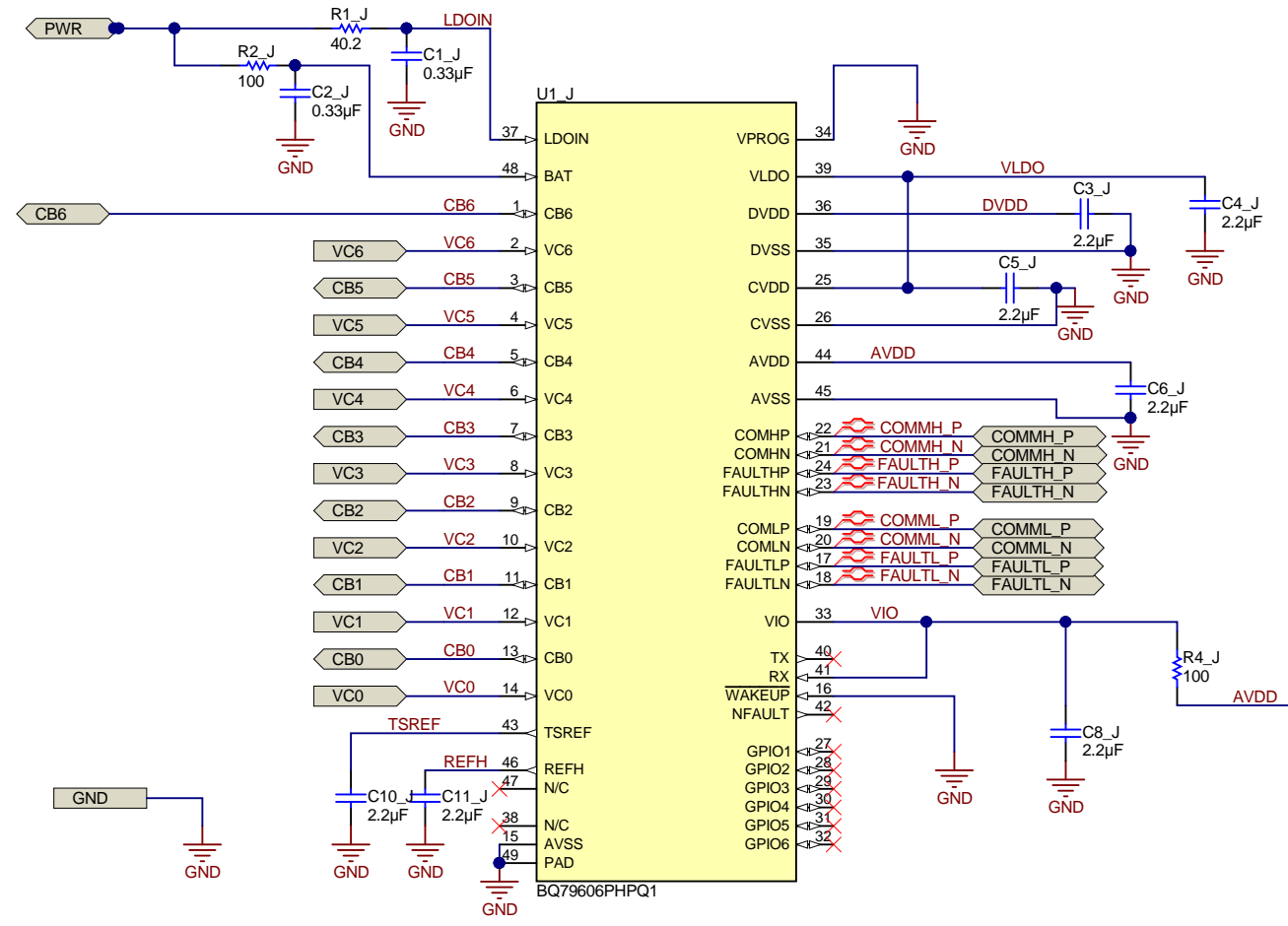
Orderable: ChangeMe!	Designed for: Public Release	Mod. Date: 6/5/2018	 TEXAS INSTRUMENTS http://www.ti.com © Texas Instruments 2017
TID #: N/A	Project Title: Change in menu Project/Project Options/Parameters	Sheet Title:	
Number: TIDA-01537	Rev: E1	Assembly Variant: 001	
SVN Rev: Not in version control	File: TIDA-01537_Automotive96SBMS_BQ79606Stack_SizDbc	Sheet: 6 of 11	
Drawn By:	Engineer: Rama Kambham & Tobias	Contact: http://www.ti.com/support	



GND is local to sheet
NET Labels are local to sheet

Texas Instruments and/or its licensors do not warrant the accuracy or completeness of this specification or any information contained therein. Texas Instruments and/or its licensors do not warrant that this design will meet the specifications, will be suitable for your application or fit for any particular purpose, or will operate in an implementation. Texas Instruments and/or its licensors do not warrant that the design is production worthy. You should completely validate and test your design implementation to confirm the system functionality for your application.

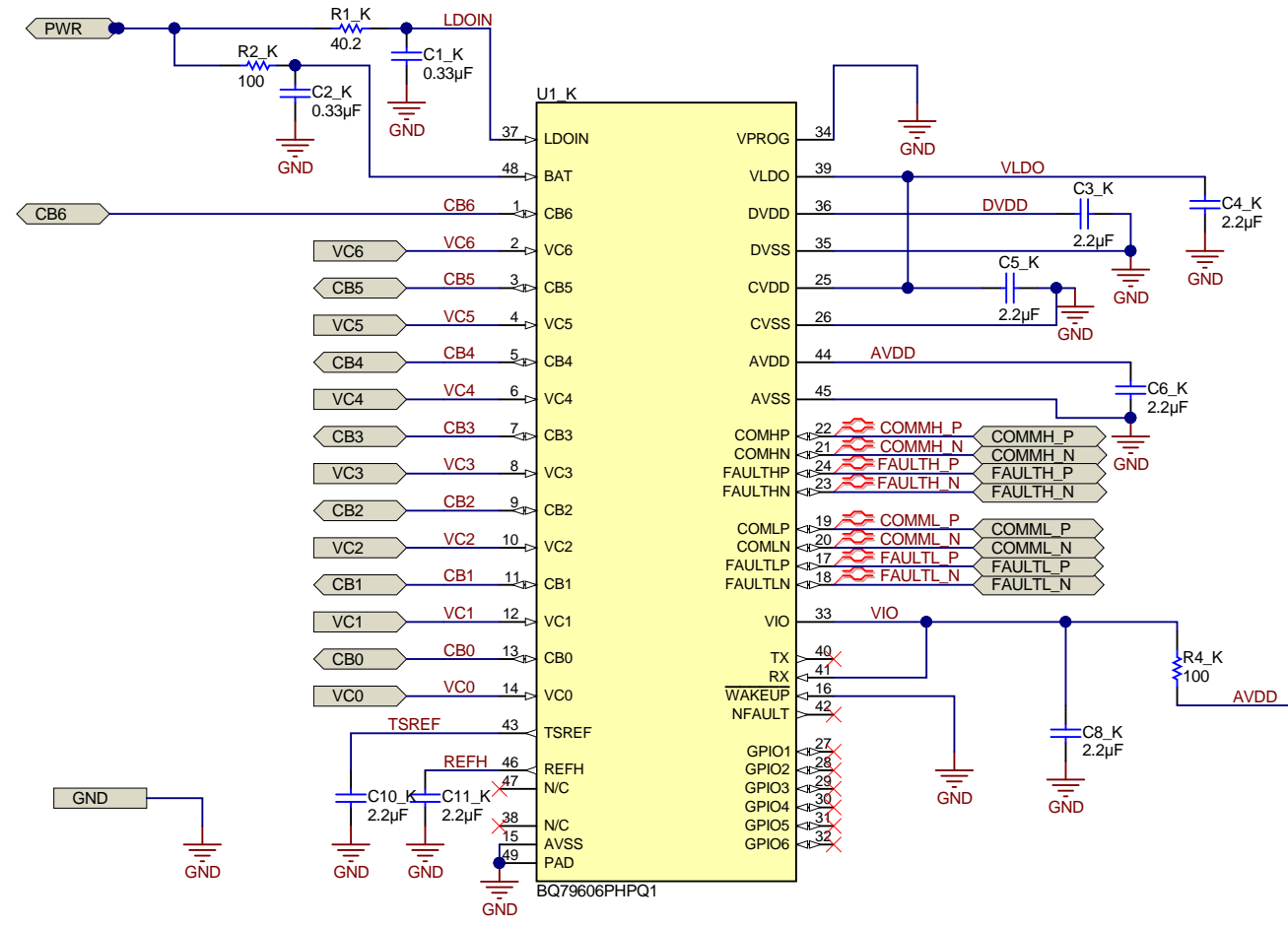
Orderable: ChangeMe!	Designed for: Public Release	Mod. Date: 6/5/2018	 TEXAS INSTRUMENTS http://www.ti.com © Texas Instruments 2017
TID #: N/A	Project Title: Change in menu Project/Project Options/Parameters	Sheet Title:	
Number: TIDA-01537	Rev: E1	Assembly Variant: 001	
SVN Rev: Not in version control	File: TIDA-01537_Automotive96SBMS_BQ79606Stack_SizDBc	Sheet: 6 of 11	
Drawn By:	Engineer: Rama Kambham & Tobias	Contact: http://www.ti.com/support	



GND is local to sheet
NET Labels are local to sheet

Texas Instruments and/or its licensors do not warrant the accuracy or completeness of this specification or any information contained therein. Texas Instruments and/or its licensors do not warrant that this design will meet the specifications, will be suitable for your application or fit for any particular purpose, or will operate in an implementation. Texas Instruments and/or its licensors do not warrant that the design is production worthy. You should completely validate and test your design implementation to confirm the system functionality for your application.

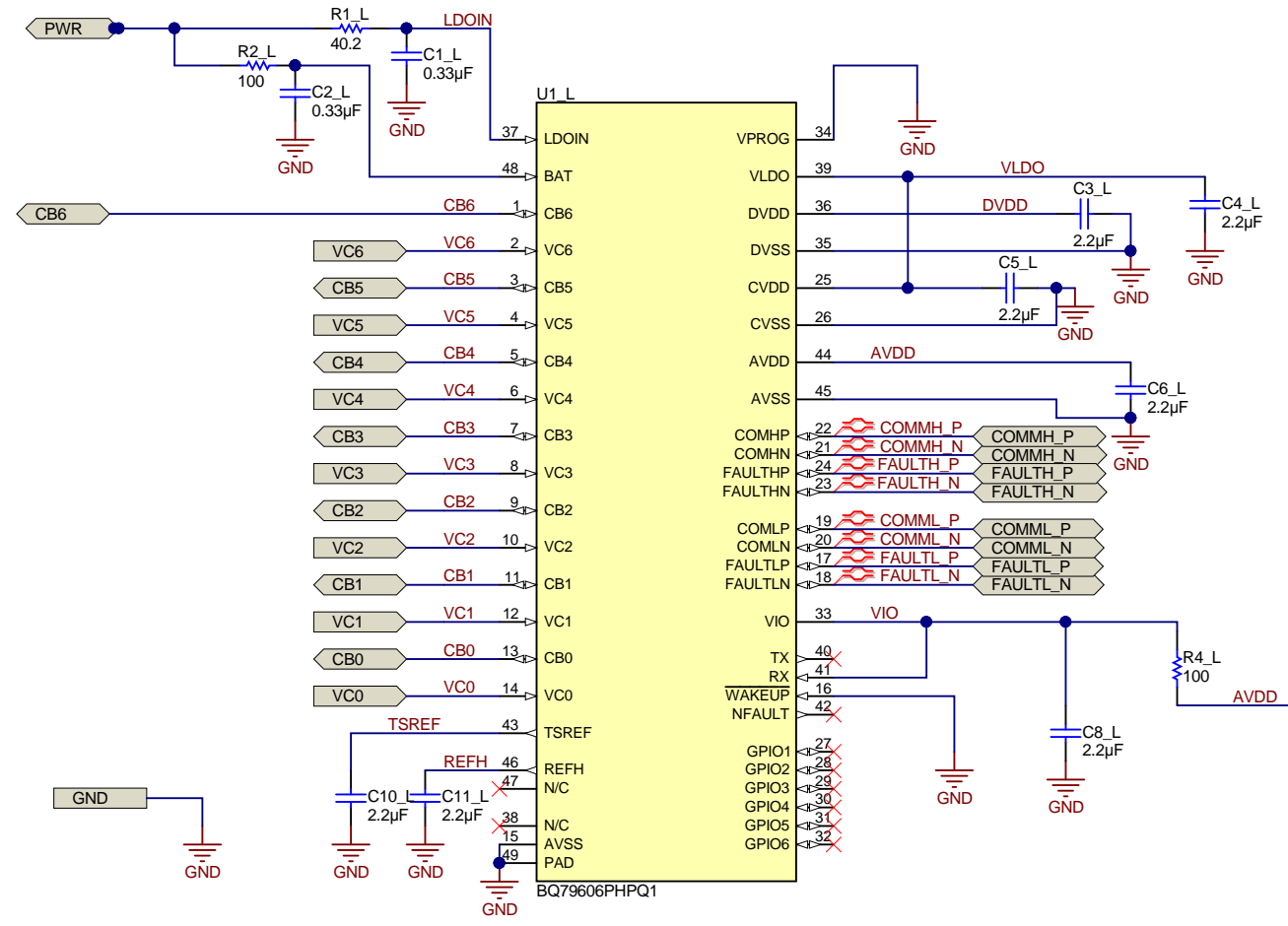
Orderable: ChangeMe!	Designed for: Public Release	Mod. Date: 6/5/2018	<p>TEXAS INSTRUMENTS http://www.ti.com © Texas Instruments 2017</p>
TID #: N/A	Project Title: Change in menu Project/Project Options/Parameters		
Number: TIDA-01537	Rev: E1	Sheet Title:	
SVN Rev: Not in version control	Assembly Variant: 001	Sheet: 6 of 11	
Drawn By:	File: TIDA-01537_Automotive96SBMS_BQ79606Stack_SizDBc		
Engineer: Rama Kambham & Tobias	Contact: http://www.ti.com/support		



GND is local to sheet
NET Labels are local to sheet

Texas Instruments and/or its licensors do not warrant the accuracy or completeness of this specification or any information contained therein. Texas Instruments and/or its licensors do not warrant that this design will meet the specifications, will be suitable for your application or fit for any particular purpose, or will operate in an implementation. Texas Instruments and/or its licensors do not warrant that the design is production worthy. You should completely validate and test your design implementation to confirm the system functionality for your application.

Orderable: ChangeMe!	Designed for: Public Release	Mod. Date: 6/5/2018	<p>TEXAS INSTRUMENTS http://www.ti.com © Texas Instruments 2017</p>
TID #: N/A	Project Title: Change in menu Project/Project Options/Parameters		
Number: TIDA-01537	Rev: E1	Sheet Title:	
SVN Rev: Not in version control	Assembly Variant: 001	Sheet: 6 of 11	
Drawn By:	File: TIDA-01537_Automotive96SBMS_BQ79606Stack_SizDBc		
Engineer: Rama Kambham & Tobias	Contact: http://www.ti.com/support		



GND is local to sheet
NET Labels are local to sheet

Texas Instruments and/or its licensors do not warrant the accuracy or completeness of this specification or any information contained therein. Texas Instruments and/or its licensors do not warrant that this design will meet the specifications, will be suitable for your application or fit for any particular purpose, or will operate in an implementation. Texas Instruments and/or its licensors do not warrant that the design is production worthy. You should completely validate and test your design implementation to confirm the system functionality for your application.

Orderable: ChangeMe!	Designed for: Public Release	Mod. Date: 6/5/2018
TID #: N/A	Project Title: Change in menu Project/Project Options/Parameters	
Number: TIDA-01537	Rev: E1	Sheet Title:
SVN Rev: Not in version control	Assembly Variant: 001	Sheet: 6 of 11
Drawn By:	File: TIDA-01537_Automotive96SBMS_BQ79606StackSizeDBc	
Engineer: Rama Kambham & Tobias	Contact: http://www.ti.com/support	

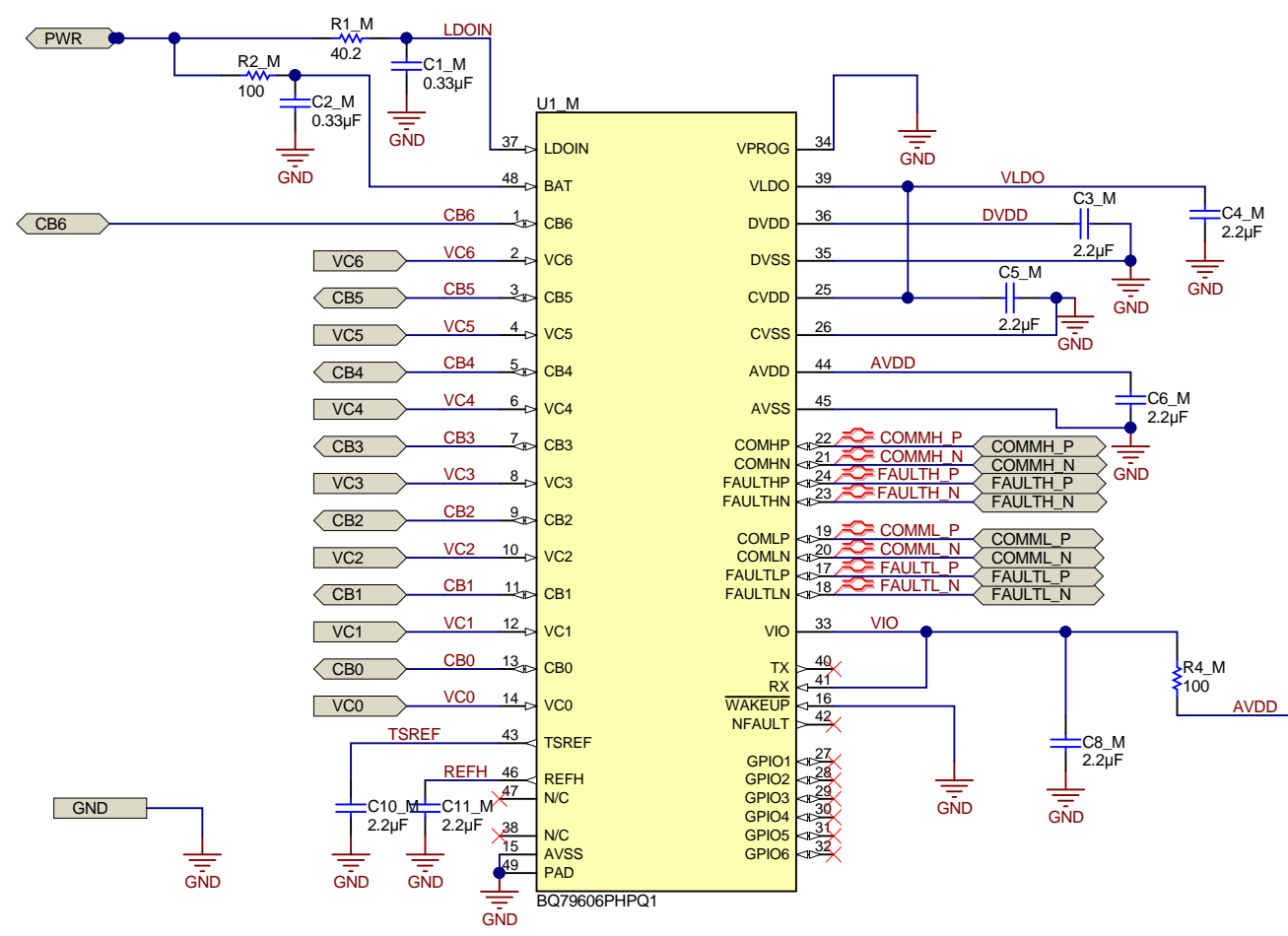


A

B

C

D



GND is local to sheet
NET Labels are local to sheet

Texas Instruments and/or its licensors do not warrant the accuracy or completeness of this specification or any information contained therein. Texas Instruments and/or its licensors do not warrant that this design will meet the specifications, will be suitable for your application or fit for any particular purpose, or will operate in an implementation. Texas Instruments and/or its licensors do not warrant that the design is production worthy. You should completely validate and test your design implementation to confirm the system functionality for your application.

Orderable: ChangeMe!	Designed for: Public Release	Mod. Date: 6/5/2018
TID #: N/A	Project Title: Change in menu Project/Project Options/Parameters	
Number: TIDA-01537	Rev: E1	Sheet Title:
SVN Rev: Not in version control	Assembly Variant: 001	Sheet: 6 of 11
Drawn By:	File: TIDA-01537_Automotive96SBMS_BQ79606Stack.SchDoc	
Engineer: Rama Kambham & Tobias	Contact: http://www.ti.com/support	

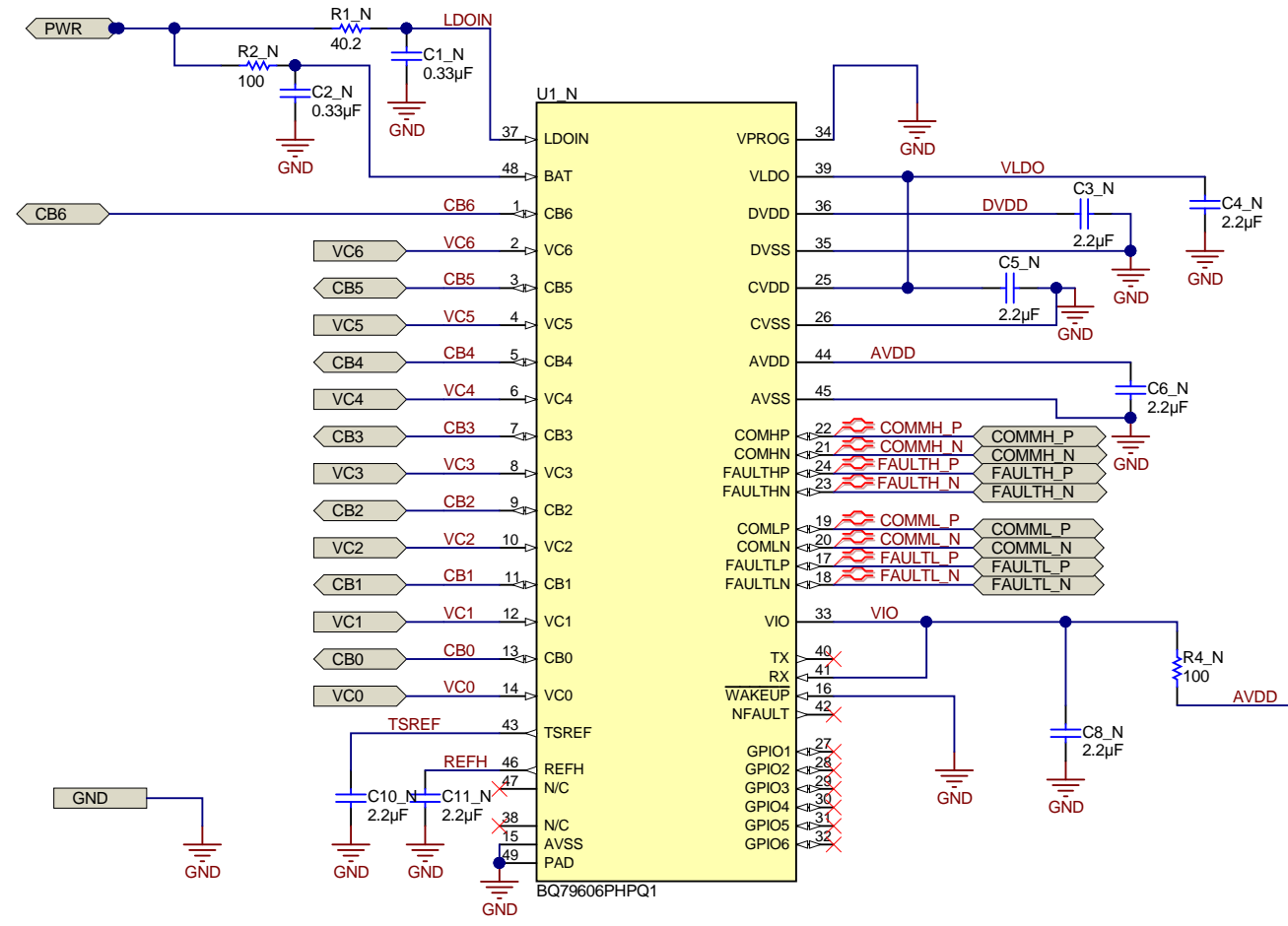


A

B

C

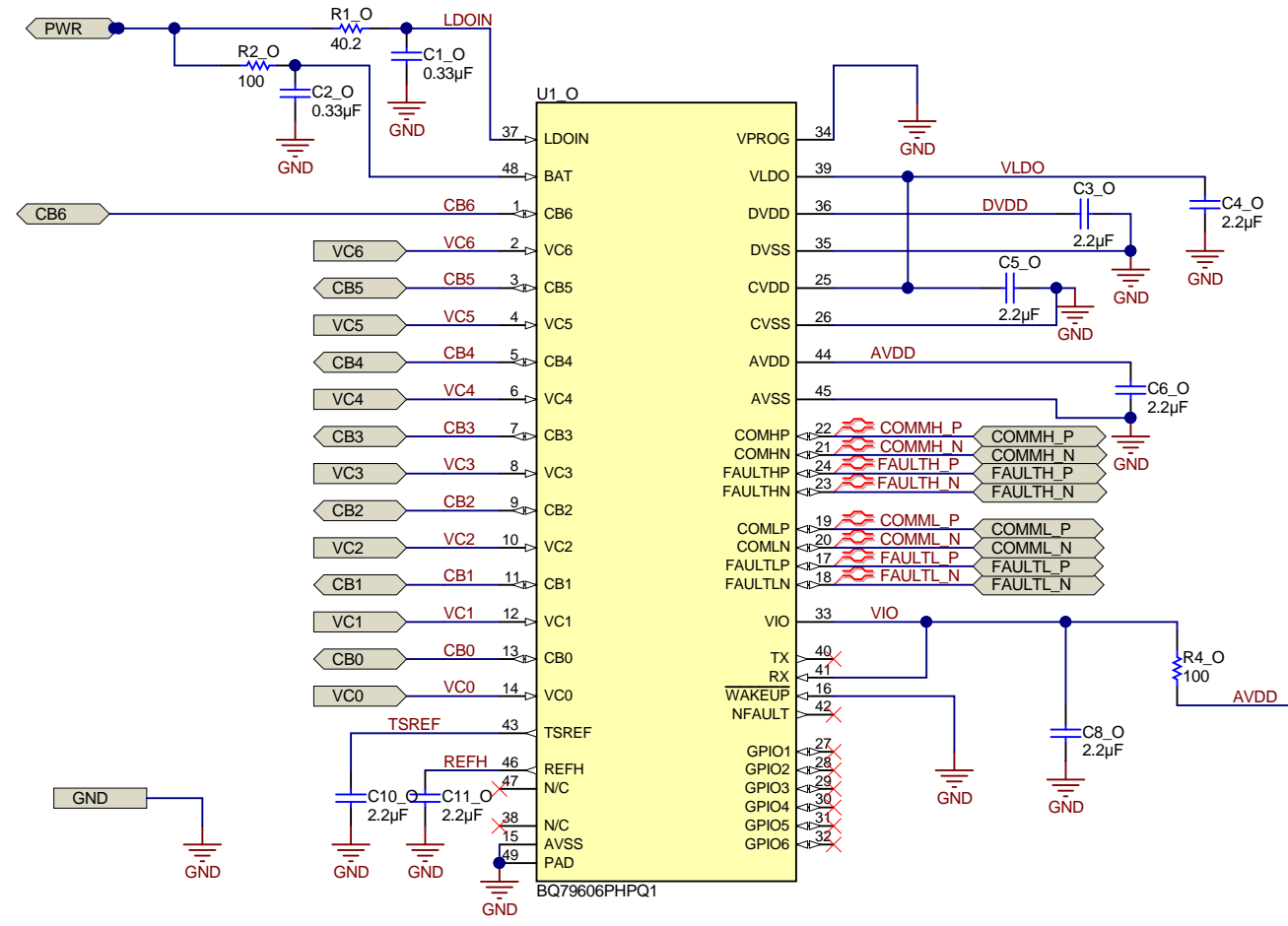
D



GND is local to sheet
NET Labels are local to sheet

Texas Instruments and/or its licensors do not warrant the accuracy or completeness of this specification or any information contained therein. Texas Instruments and/or its licensors do not warrant that this design will meet the specifications, will be suitable for your application or fit for any particular purpose, or will operate in an implementation. Texas Instruments and/or its licensors do not warrant that the design is production worthy. You should completely validate and test your design implementation to confirm the system functionality for your application.

Orderable: ChangeMe!	Designed for: Public Release	Mod. Date: 6/5/2018	<p>TEXAS INSTRUMENTS http://www.ti.com © Texas Instruments 2017</p>
TID #: N/A	Project Title: Change in menu Project/Project Options/Parameters	Sheet Title:	
Number: TIDA-01537	Rev: E1	Assembly Variant: 001	
SVN Rev: Not in version control	File: TIDA-01537_Automotive96SBMS_BQ79606Stack.SchDoc	Sheet: 6 of 11	
Drawn By:	Engineer: Rama Kambham & Tobias	Contact: http://www.ti.com/support	

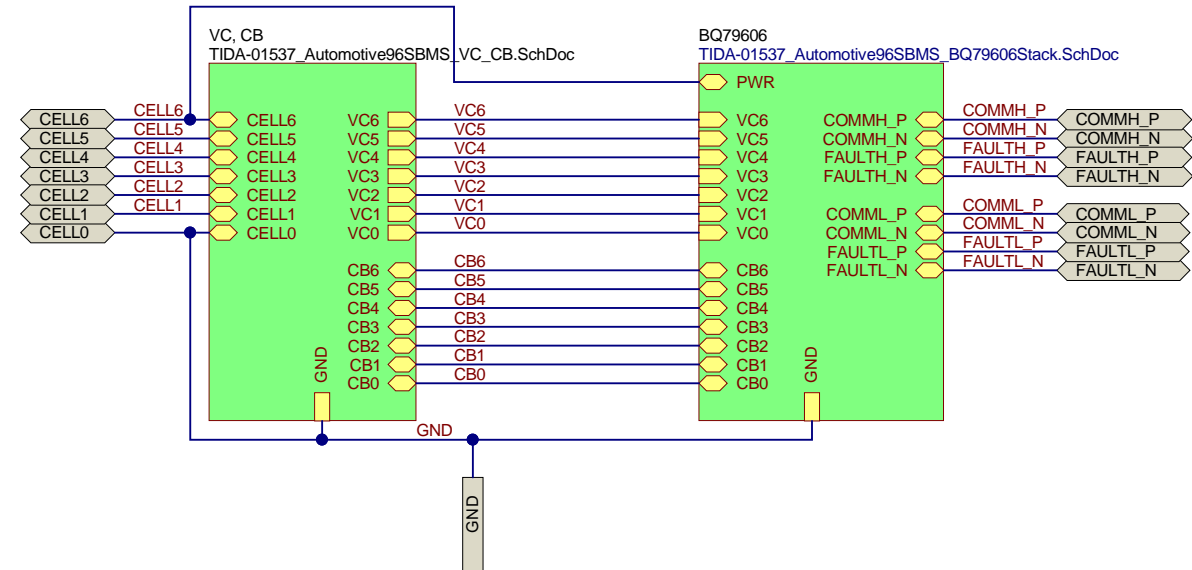


GND is local to sheet
NET Labels are local to sheet

Texas Instruments and/or its licensors do not warrant the accuracy or completeness of this specification or any information contained therein. Texas Instruments and/or its licensors do not warrant that this design will meet the specifications, will be suitable for your application or fit for any particular purpose, or will operate in an implementation. Texas Instruments and/or its licensors do not warrant that the design is production worthy. You should completely validate and test your design implementation to confirm the system functionality for your application.

Orderable: ChangeMe!	Designed for: Public Release	Mod. Date: 6/5/2018
TID #: N/A	Project Title: Change in menu Project/Project Options/Parameters	
Number: TIDA-01537	Rev: E1	Sheet Title:
SVN Rev: Not in version control	Assembly Variant: 001	Sheet: 6 of 11
Drawn By:	File: TIDA-01537_Automotive96SBMS_BQ79606StackSizeDBc	
Engineer: Rama Kambham & Tobias	Contact: http://www.ti.com/support	

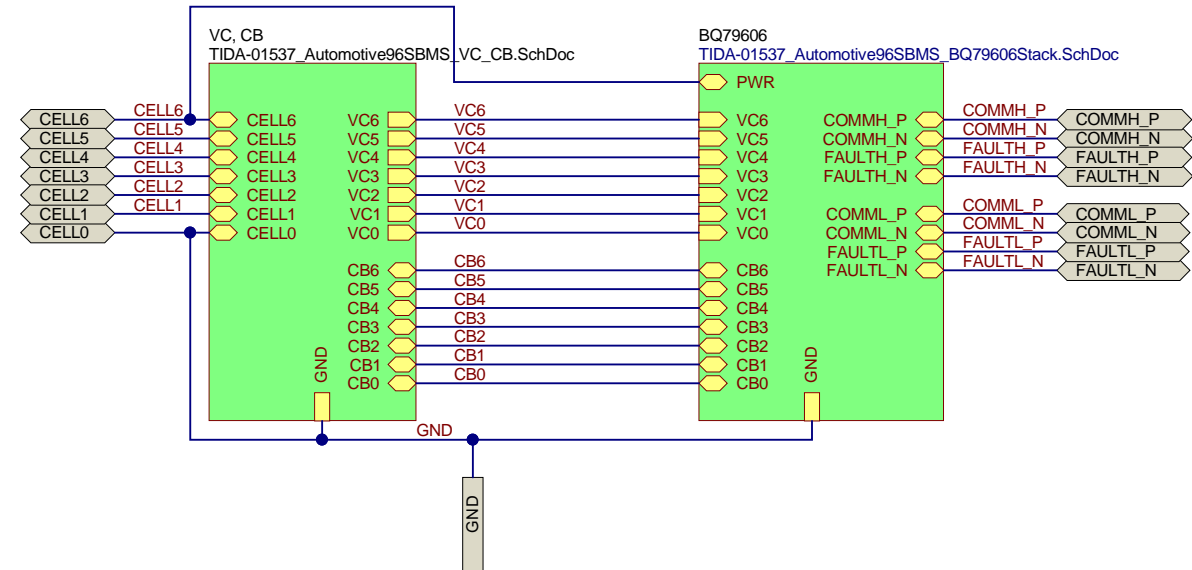




Texas Instruments and/or its licensors do not warrant the accuracy or completeness of this specification or any information contained therein. Texas Instruments and/or its licensors do not warrant that this design will meet the specifications, will be suitable for your application or fit for any particular purpose, or will operate in an implementation. Texas Instruments and/or its licensors do not warrant that the design is production worthy. You should completely validate and test your design implementation to confirm the system functionality for your application.

Orderable: ChangeMe!	Designed for: Public Release	Mod. Date: 6/5/2018
TID #: N/A	Project Title: Change in menu Project/Project Options/Parameters	
Number: TIDA-01537	Rev: E1	Sheet Title:
SVN Rev: Not in version control	Assembly Variant: 001	Sheet: 7 of 11
Drawn By:	File: TIDA-01537_Automotive96SBMS_StackM&P.SchDoc	Size: B
Engineer: Rama Kambham & Tobias	Contact: http://www.ti.com/support	

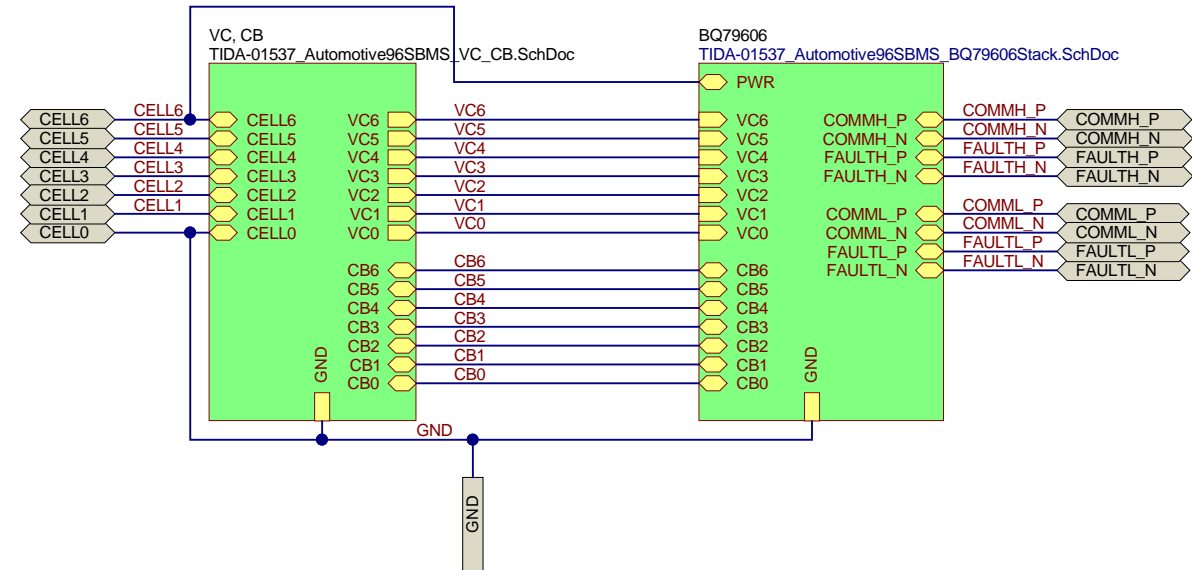




Texas Instruments and/or its licensors do not warrant the accuracy or completeness of this specification or any information contained therein. Texas Instruments and/or its licensors do not warrant that this design will meet the specifications, will be suitable for your application or fit for any particular purpose, or will operate in an implementation. Texas Instruments and/or its licensors do not warrant that the design is production worthy. You should completely validate and test your design implementation to confirm the system functionality for your application.

Orderable: ChangeMe!	Designed for: Public Release	Mod. Date: 6/5/2018
TID #: N/A	Project Title: Change in menu Project/Project Options/Parameters	
Number: TIDA-01537	Rev: E1	Sheet Title:
SVN Rev: Not in version control	Assembly Variant: 001	Sheet: 7 of 11
Drawn By:	File: TIDA-01537_Automotive96SBMS_StackM&P.SchDoc	Size: B
Engineer: Rama Kambham & Tobias	Comment: http://www.ti.com/support	

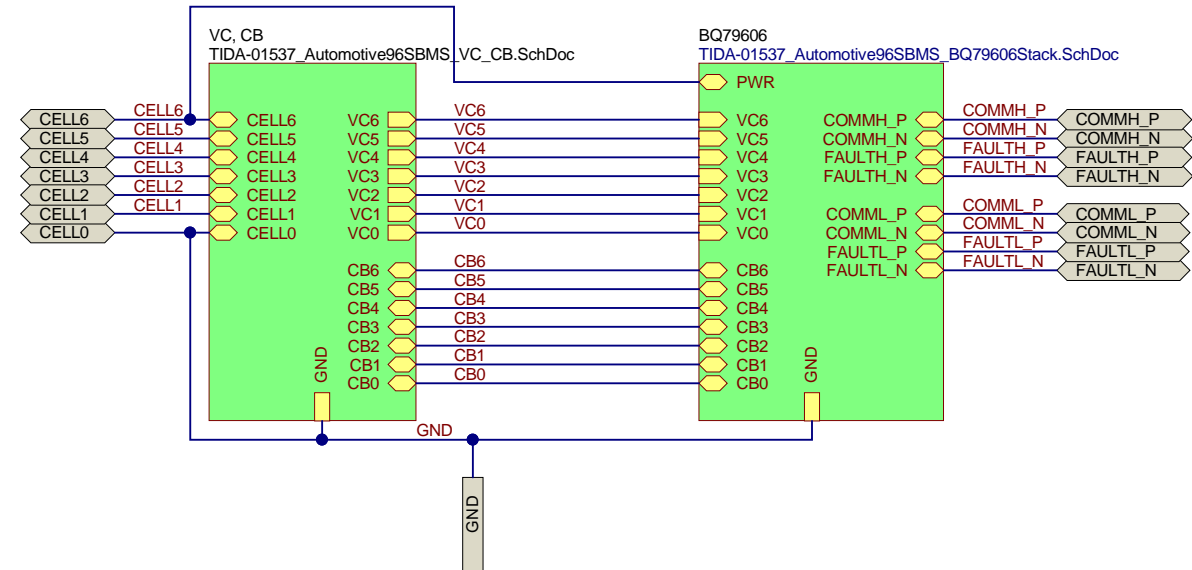




Texas Instruments and/or its licensors do not warrant the accuracy or completeness of this specification or any information contained therein. Texas Instruments and/or its licensors do not warrant that this design will meet the specifications, will be suitable for your application or fit for any particular purpose, or will operate in an implementation. Texas Instruments and/or its licensors do not warrant that the design is production worthy. You should completely validate and test your design implementation to confirm the system functionality for your application.

Orderable: ChangeMe!	Designed for: Public Release	Mod. Date: 6/5/2018
TID #: N/A	Project Title: Change in menu Project/Project Options/Parameters	
Number: TIDA-01537	Rev: E1	Sheet Title:
SVN Rev: Not in version control	Assembly Variant: 001	Sheet: 7 of 11
Drawn By:	File: TIDA-01537_Automotive96SBMS_StackM&P.SchDoc	Size: B
Engineer: Rama Kambham & Tobias	Comment: http://www.ti.com/support	

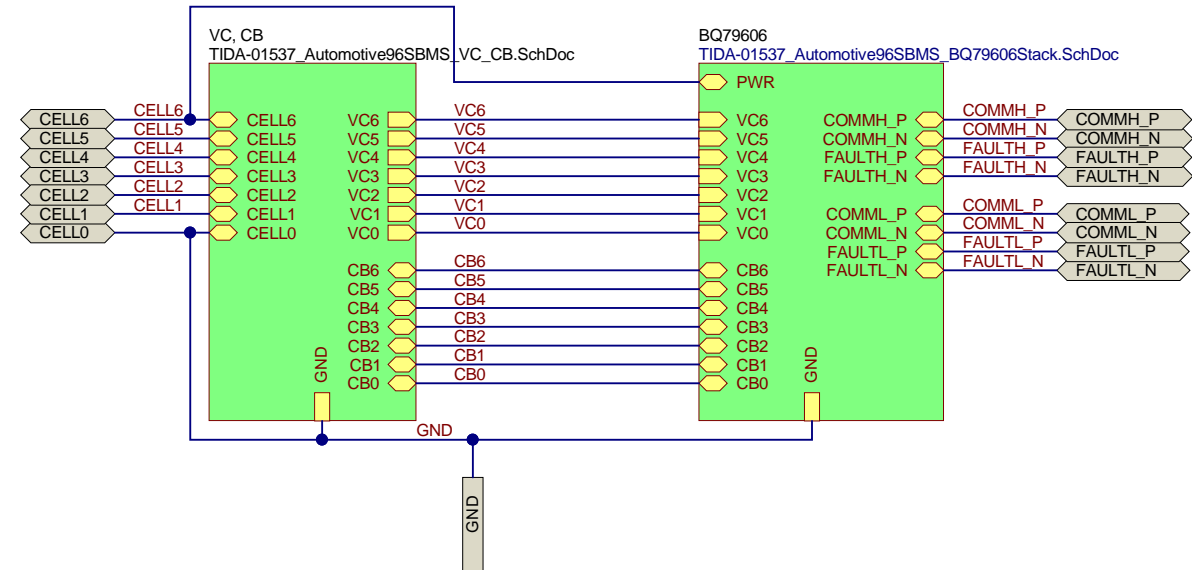




Texas Instruments and/or its licensors do not warrant the accuracy or completeness of this specification or any information contained therein. Texas Instruments and/or its licensors do not warrant that this design will meet the specifications, will be suitable for your application or fit for any particular purpose, or will operate in an implementation. Texas Instruments and/or its licensors do not warrant that the design is production worthy. You should completely validate and test your design implementation to confirm the system functionality for your application.

Orderable: ChangeMe!	Designed for: Public Release	Mod. Date: 6/5/2018
TID #: N/A	Project Title: Change in menu Project/Project Options/Parameters	
Number: TIDA-01537	Rev: E1	Sheet Title:
SVN Rev: Not in version control	Assembly Variant: 001	Sheet: 7 of 11
Drawn By:	File: TIDA-01537_Automotive96SBMS_StackM&P.SchDoc	Size: B
Engineer: Rama Kambham & Tobias	Contact: http://www.ti.com/support	

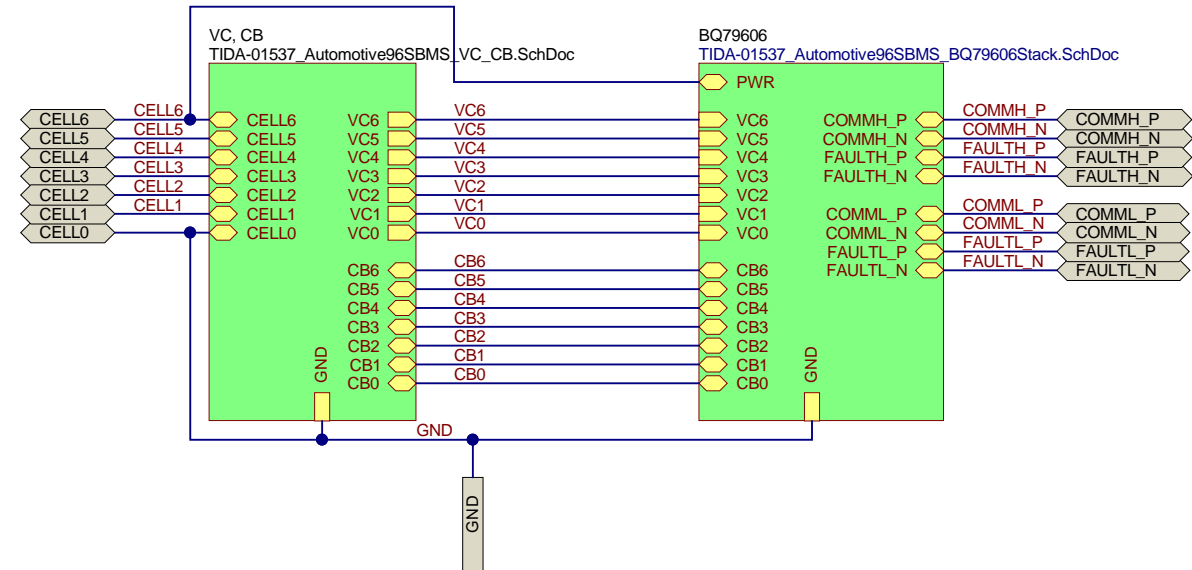




Texas Instruments and/or its licensors do not warrant the accuracy or completeness of this specification or any information contained therein. Texas Instruments and/or its licensors do not warrant that this design will meet the specifications, will be suitable for your application or fit for any particular purpose, or will operate in an implementation. Texas Instruments and/or its licensors do not warrant that the design is production worthy. You should completely validate and test your design implementation to confirm the system functionality for your application.

Orderable: ChangeMe!	Designed for: Public Release	Mod. Date: 6/5/2018
TID #: N/A	Project Title: Change in menu Project/Project Options/Parameters	
Number: TIDA-01537	Rev: E1	Sheet Title:
SVN Rev: Not in version control	Assembly Variant: 001	Sheet: 7 of 11
Drawn By:	File: TIDA-01537_Automotive96SBMS_StackM&P.SchDoc	Size: B
Engineer: Rama Kambham & Tobias	Contact: http://www.ti.com/support	

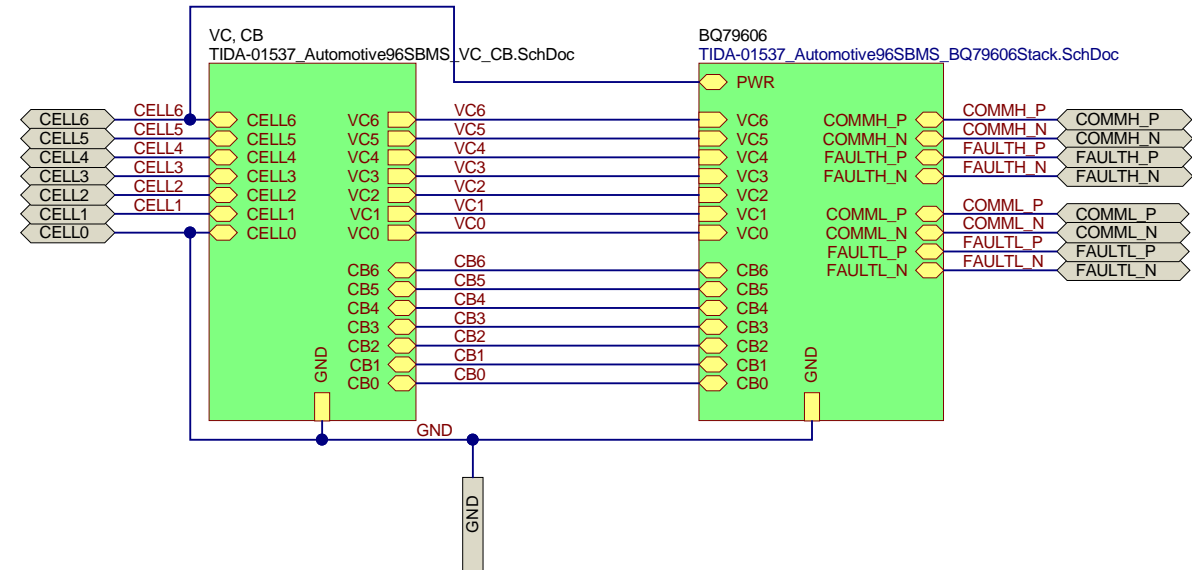




Texas Instruments and/or its licensors do not warrant the accuracy or completeness of this specification or any information contained therein. Texas Instruments and/or its licensors do not warrant that this design will meet the specifications, will be suitable for your application or fit for any particular purpose, or will operate in an implementation. Texas Instruments and/or its licensors do not warrant that the design is production worthy. You should completely validate and test your design implementation to confirm the system functionality for your application.

Orderable: ChangeMe!	Designed for: Public Release	Mod. Date: 6/5/2018
TID #: N/A	Project Title: Change in menu Project/Project Options/Parameters	
Number: TIDA-01537	Rev: E1	Sheet Title:
SVN Rev: Not in version control	Assembly Variant: 001	Sheet: 7 of 11
Drawn By:	File: TIDA-01537_Automotive96SBMS_StackM&P.SchDoc	Size: B
Engineer: Rama Kambham & Tobias	Contact: http://www.ti.com/support	

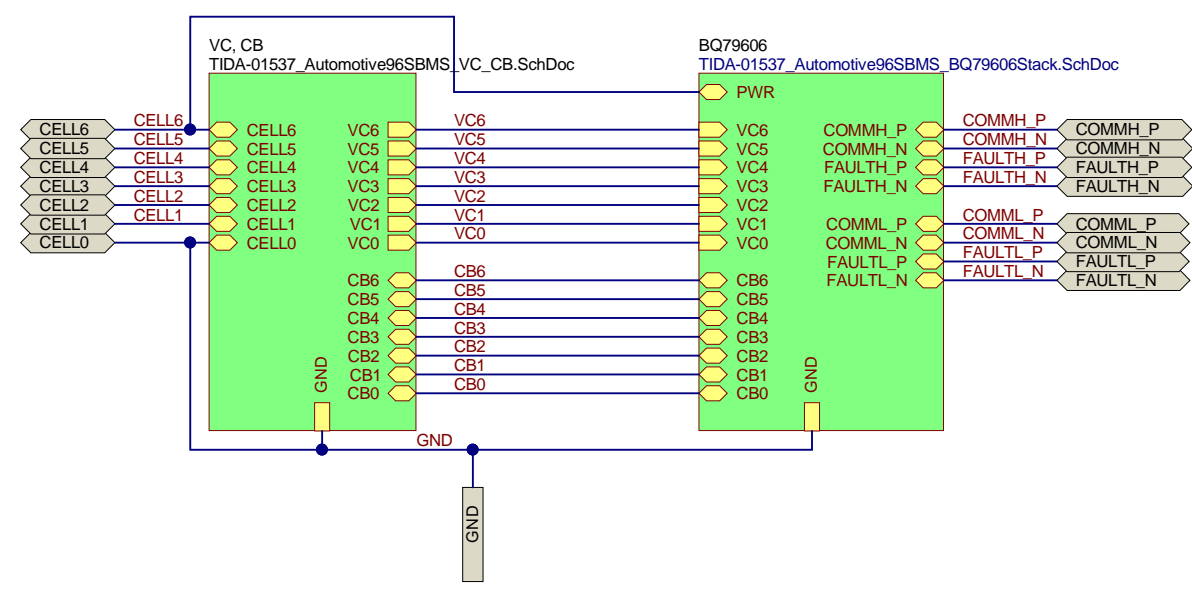





Texas Instruments and/or its licensors do not warrant the accuracy or completeness of this specification or any information contained therein. Texas Instruments and/or its licensors do not warrant that this design will meet the specifications, will be suitable for your application or fit for any particular purpose, or will operate in an implementation. Texas Instruments and/or its licensors do not warrant that the design is production worthy. You should completely validate and test your design implementation to confirm the system functionality for your application.

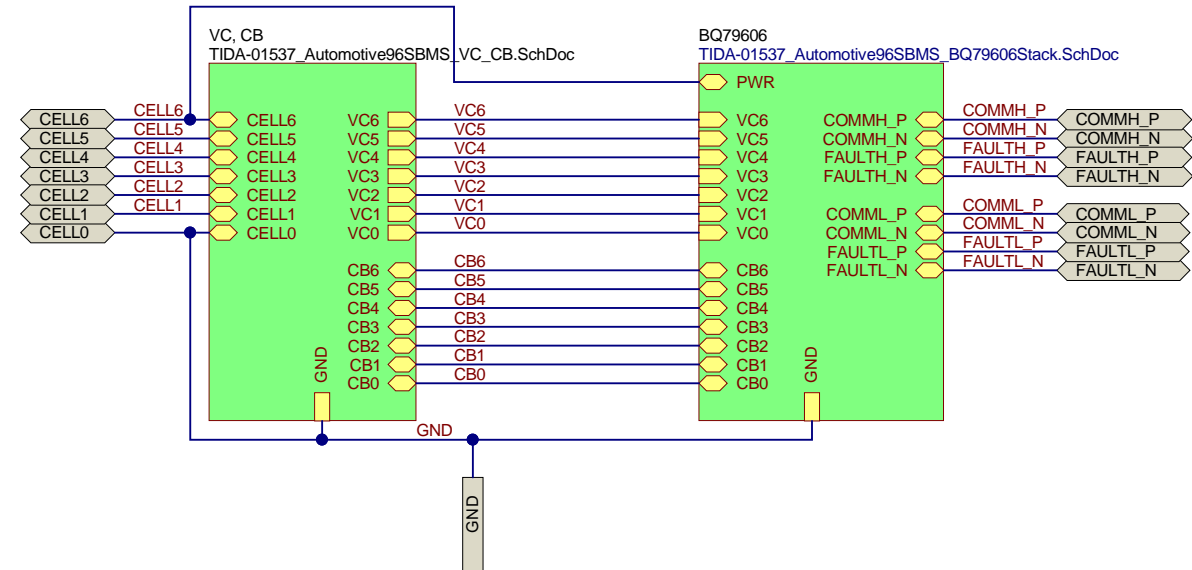
Orderable: ChangeMe!	Designed for: Public Release	Mod. Date: 6/5/2018
TID #: N/A	Project Title: Change in menu Project/Project Options/Parameters	
Number: TIDA-01537	Rev: E1	Sheet Title:
SVN Rev: Not in version control	Assembly Variant: 001	Sheet: 7 of 11
Drawn By:	File: TIDA-01537_Automotive96SBMS_StackM&P.SchDoc	Size: B
Engineer: Rama Kambham & Tobias	Contact: http://www.ti.com/support	





Texas Instruments and/or its licensors do not warrant the accuracy or completeness of this specification or any information contained therein. Texas Instruments and/or its licensors do not warrant that this design will meet the specifications, will be suitable for your application or fit for any particular purpose, or will operate in an implementation. Texas Instruments and/or its licensors do not warrant that the design is production worthy. You should completely validate and test your design implementation to confirm the system functionality for your application.

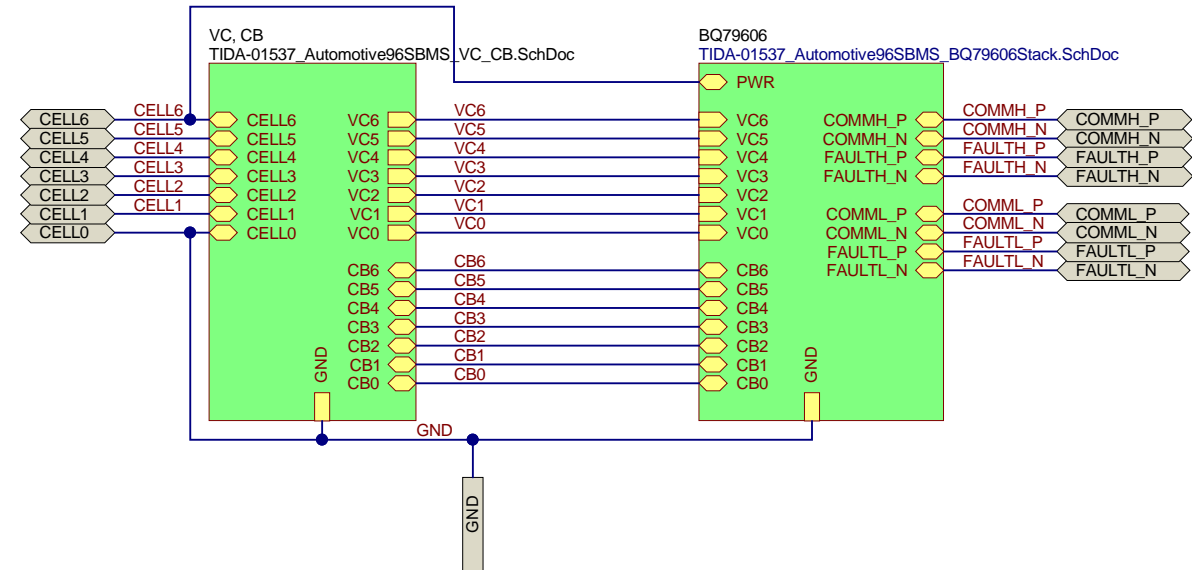
Orderable: ChangeMe!	Designed for: Public Release	Mod. Date: 6/5/2018	 http://www.ti.com © Texas Instruments 2017
TID #: N/A	Project Title: Change in menu Project/Project Options/Parameters		
Number: TIDA-01537	Rev: E1	Sheet Title:	
SVN Rev: Not in version control	Assembly Variant: 001	Sheet: 7 of 11	
Drawn By:	File: TIDA-01537_Automotive96SBMS_StackM&P.SchDoc	Size: B	
Engineer: Rama Kambham & Tobias	Contact: http://www.ti.com/support		



Texas Instruments and/or its licensors do not warrant the accuracy or completeness of this specification or any information contained therein. Texas Instruments and/or its licensors do not warrant that this design will meet the specifications, will be suitable for your application or fit for any particular purpose, or will operate in an implementation. Texas Instruments and/or its licensors do not warrant that the design is production worthy. You should completely validate and test your design implementation to confirm the system functionality for your application.

Orderable: ChangeMe!	Designed for: Public Release	Mod. Date: 6/5/2018
TID #: N/A	Project Title: Change in menu Project/Project Options/Parameters	
Number: TIDA-01537	Rev: E1	Sheet Title:
SVN Rev: Not in version control	Assembly Variant: 001	Sheet: 7 of 11
Drawn By:	File: TIDA-01537_Automotive96SBMS_StackM&P.SchDoc	Size: B
Engineer: Rama Kambham & Tobias	Comment: http://www.ti.com/support	

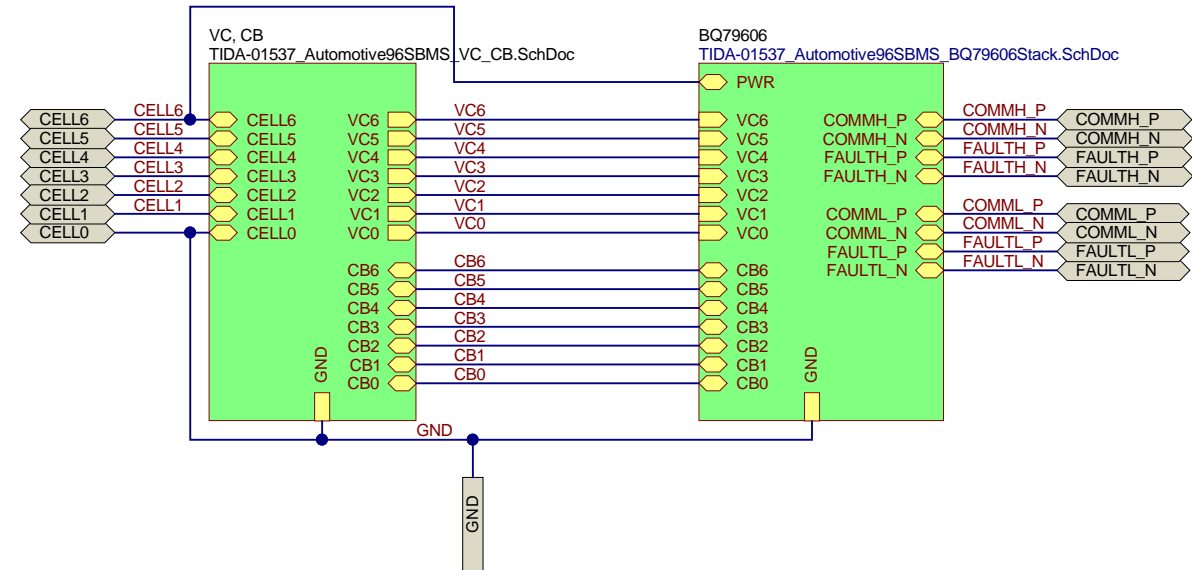




Texas Instruments and/or its licensors do not warrant the accuracy or completeness of this specification or any information contained therein. Texas Instruments and/or its licensors do not warrant that this design will meet the specifications, will be suitable for your application or fit for any particular purpose, or will operate in an implementation. Texas Instruments and/or its licensors do not warrant that the design is production worthy. You should completely validate and test your design implementation to confirm the system functionality for your application.

Orderable: ChangeMe!	Designed for: Public Release	Mod. Date: 6/5/2018
TID #: N/A	Project Title: Change in menu Project/Project Options/Parameters	
Number: TIDA-01537	Rev: E1	Sheet Title:
SVN Rev: Not in version control	Assembly Variant: 001	Sheet: 7 of 11
Drawn By:	File: TIDA-01537_Automotive96SBMS_StackM&P.SchDoc	Size: B
Engineer: Rama Kambham & Tobias	Comment: http://www.ti.com/support	

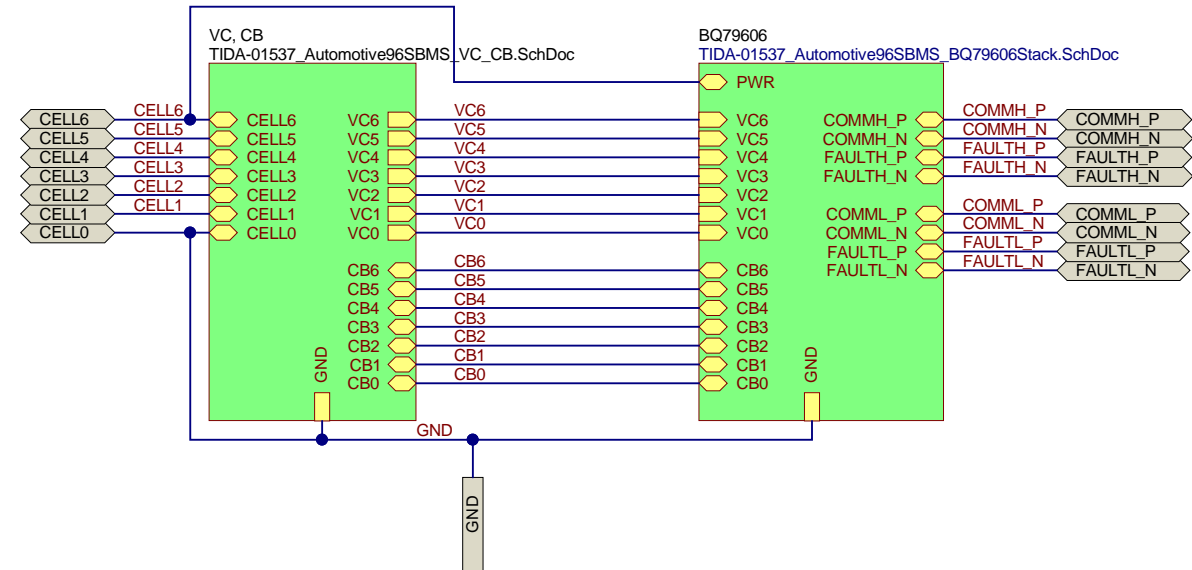




Texas Instruments and/or its licensors do not warrant the accuracy or completeness of this specification or any information contained therein. Texas Instruments and/or its licensors do not warrant that this design will meet the specifications, will be suitable for your application or fit for any particular purpose, or will operate in an implementation. Texas Instruments and/or its licensors do not warrant that the design is production worthy. You should completely validate and test your design implementation to confirm the system functionality for your application.

Orderable: ChangeMe!	Designed for: Public Release	Mod. Date: 6/5/2018
TID #: N/A	Project Title: Change in menu Project/Project Options/Parameters	
Number: TIDA-01537	Rev: E1	Sheet Title:
SVN Rev: Not in version control	Assembly Variant: 001	Sheet: 7 of 11
Drawn By:	File: TIDA-01537_Automotive96SBMS_StackM&P.SchDoc	Size: B
Engineer: Rama Kambham & Tobias	Comment: http://www.ti.com/support	

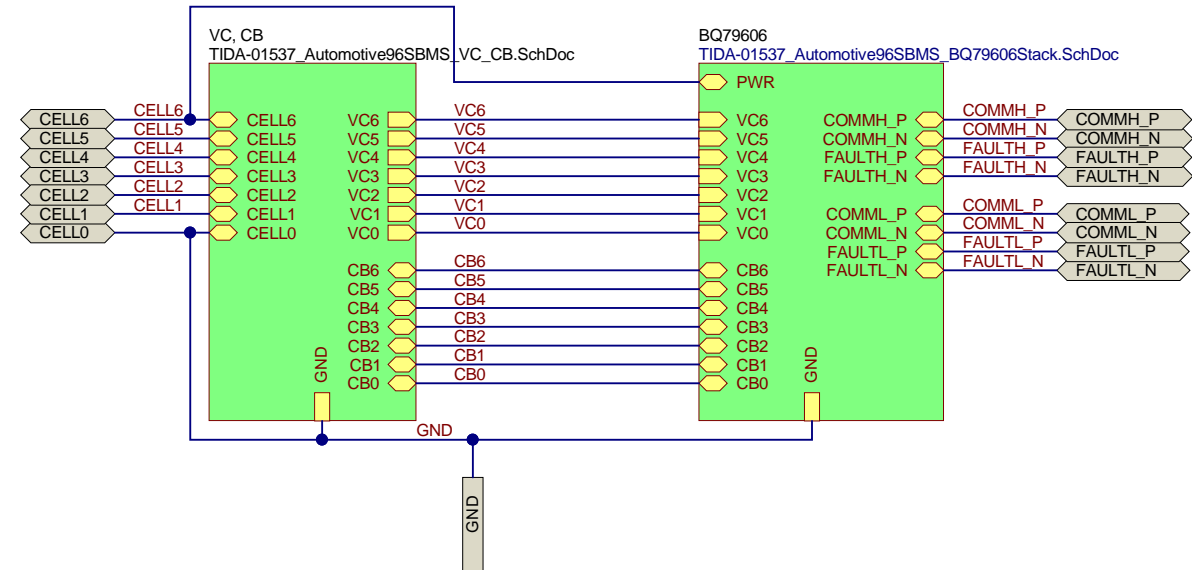




Texas Instruments and/or its licensors do not warrant the accuracy or completeness of this specification or any information contained therein. Texas Instruments and/or its licensors do not warrant that this design will meet the specifications, will be suitable for your application or fit for any particular purpose, or will operate in an implementation. Texas Instruments and/or its licensors do not warrant that the design is production worthy. You should completely validate and test your design implementation to confirm the system functionality for your application.

Orderable: ChangeMe!	Designed for: Public Release	Mod. Date: 6/5/2018
TID #: N/A	Project Title: Change in menu Project/Project Options/Parameters	
Number: TIDA-01537	Rev: E1	Sheet Title:
SVN Rev: Not in version control	Assembly Variant: 001	Sheet: 7 of 11
Drawn By:	File: TIDA-01537_Automotive96SBMS_StackM&P.SchDoc	Size: B
Engineer: Rama Kambham & Tobias	Project: http://www.ti.com/support	

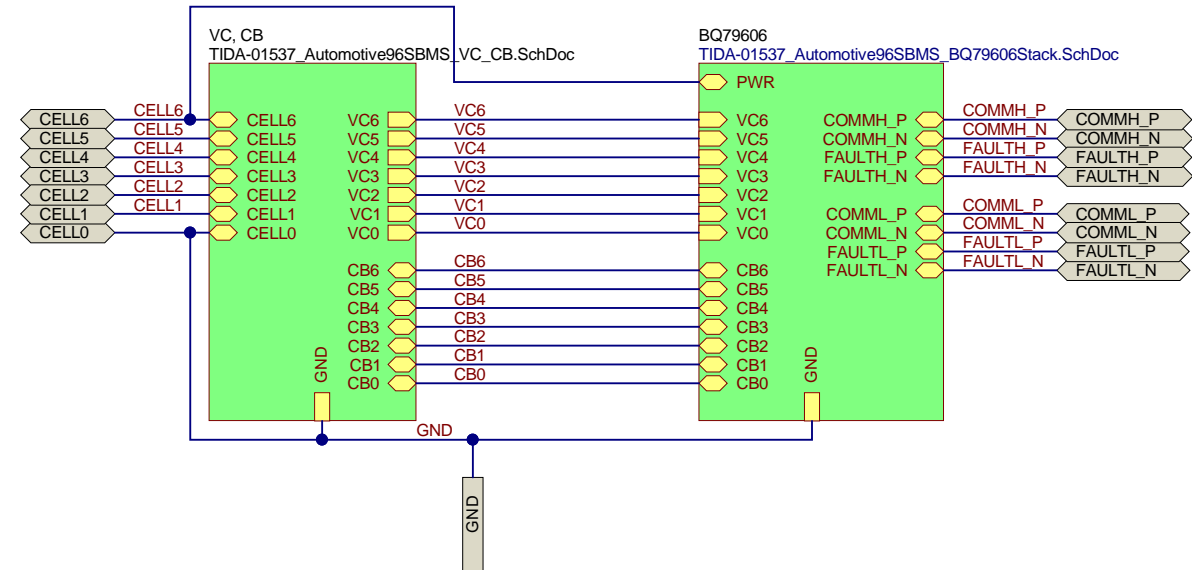




Texas Instruments and/or its licensors do not warrant the accuracy or completeness of this specification or any information contained therein. Texas Instruments and/or its licensors do not warrant that this design will meet the specifications, will be suitable for your application or fit for any particular purpose, or will operate in an implementation. Texas Instruments and/or its licensors do not warrant that the design is production worthy. You should completely validate and test your design implementation to confirm the system functionality for your application.

Orderable: ChangeMe!	Designed for: Public Release	Mod. Date: 6/5/2018
TID #: N/A	Project Title: Change in menu Project/Project Options/Parameters	
Number: TIDA-01537	Rev: E1	Sheet Title:
SVN Rev: Not in version control	Assembly Variant: 001	Sheet: 7 of 11
Drawn By:	File: TIDA-01537_Automotive96SBMS_StackM&P.SchDoc	Size: B
Engineer: Rama Kambham & Tobias	Comment: http://www.ti.com/support	

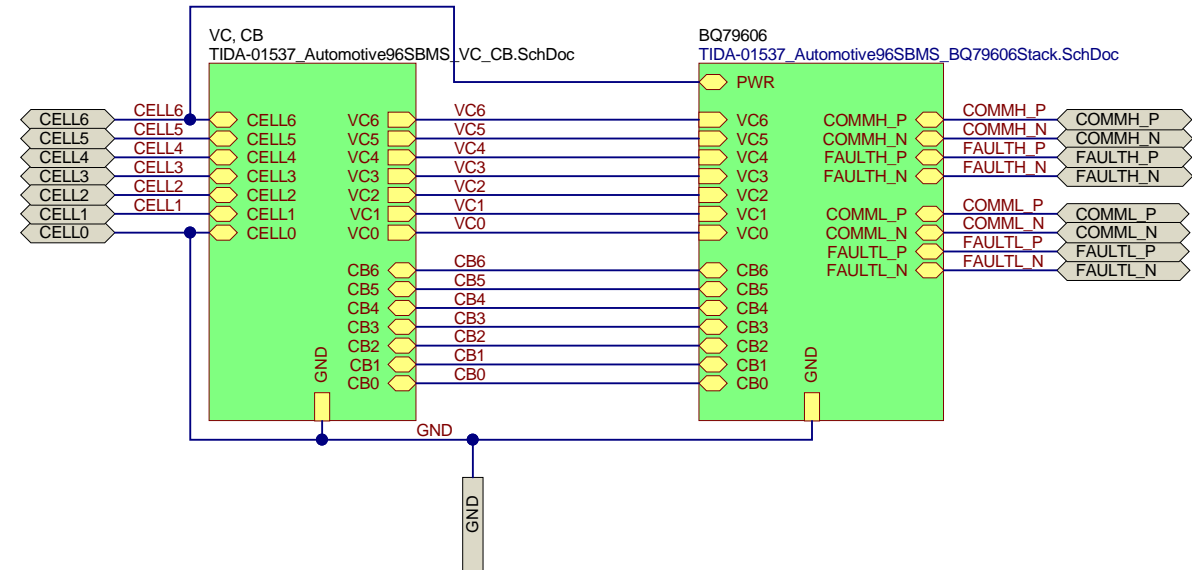




Texas Instruments and/or its licensors do not warrant the accuracy or completeness of this specification or any information contained therein. Texas Instruments and/or its licensors do not warrant that this design will meet the specifications, will be suitable for your application or fit for any particular purpose, or will operate in an implementation. Texas Instruments and/or its licensors do not warrant that the design is production worthy. You should completely validate and test your design implementation to confirm the system functionality for your application.

Orderable: ChangeMe!	Designed for: Public Release	Mod. Date: 6/5/2018
TID #: N/A	Project Title: Change in menu Project/Project Options/Parameters	
Number: TIDA-01537	Rev: E1	Sheet Title:
SVN Rev: Not in version control	Assembly Variant: 001	Sheet: 7 of 11
Drawn By:	File: TIDA-01537_Automotive96SBMS_StackM&P.SchDoc	Size: B
Engineer: Rama Kambham & Tobias	Contact: http://www.ti.com/support	





Texas Instruments and/or its licensors do not warrant the accuracy or completeness of this specification or any information contained therein. Texas Instruments and/or its licensors do not warrant that this design will meet the specifications, will be suitable for your application or fit for any particular purpose, or will operate in an implementation. Texas Instruments and/or its licensors do not warrant that the design is production worthy. You should completely validate and test your design implementation to confirm the system functionality for your application.

Orderable: ChangeMe!	Designed for: Public Release	Mod. Date: 6/5/2018
TID #: N/A	Project Title: Change in menu Project/Project Options/Parameters	
Number: TIDA-01537	Rev: E1	Sheet Title:
SVN Rev: Not in version control	Assembly Variant: 001	Sheet: 7 of 11
Drawn By:	File: TIDA-01537_Automotive96SBMS_StackM&P.SchDoc	Size: B
Engineer: Rama Kambham & Tobias	Project: http://www.ti.com/support	



A

B

C

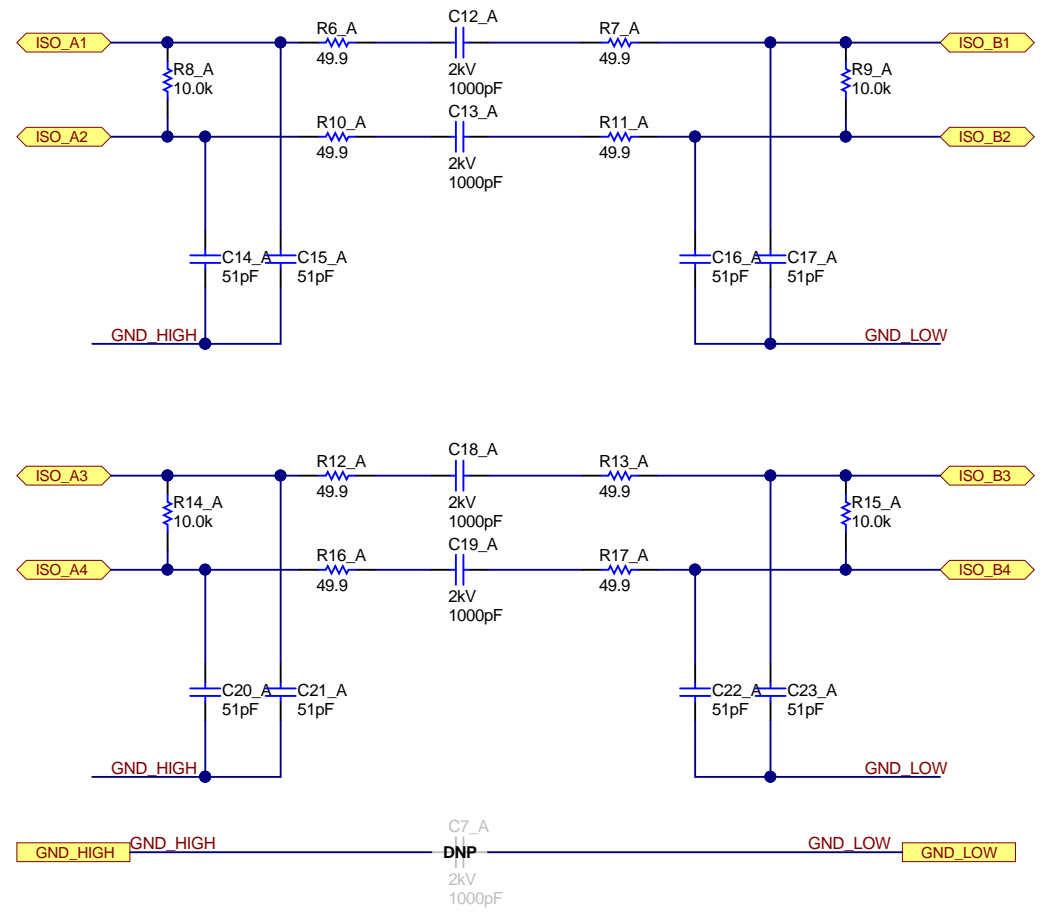
D

A


B

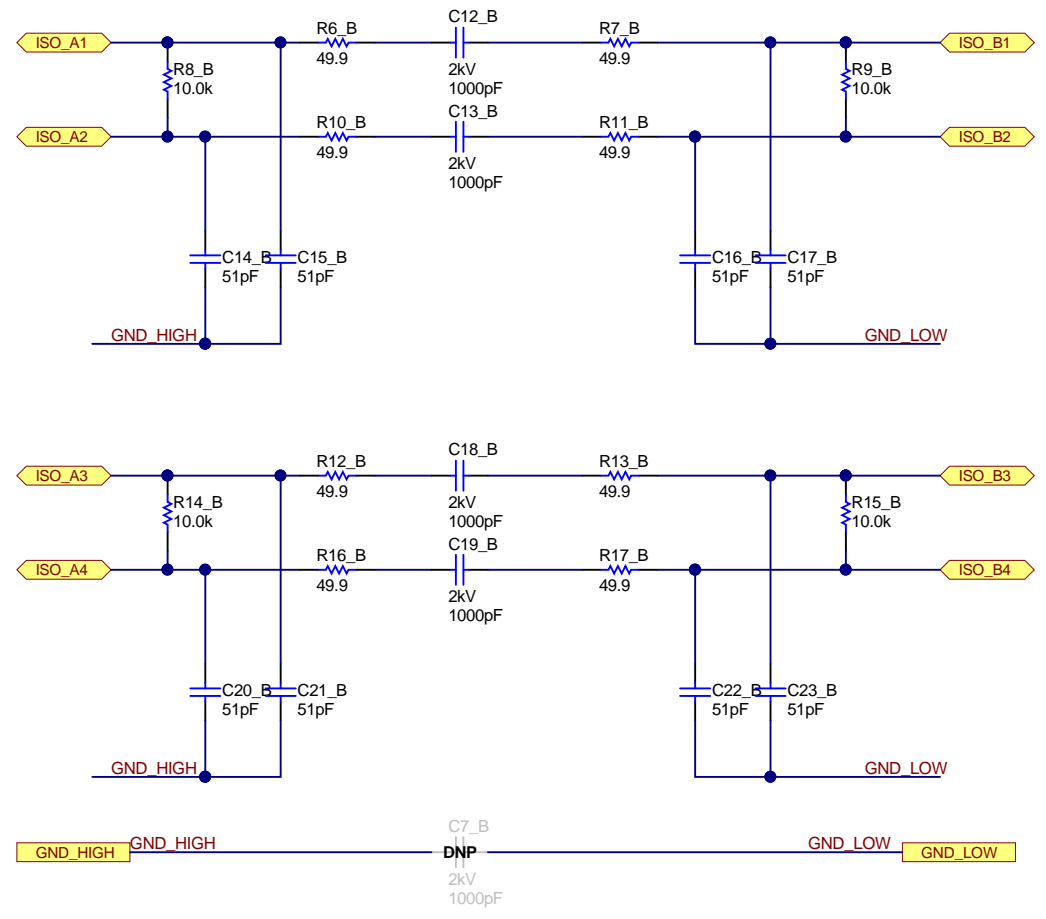
C

D



Texas Instruments and/or its licensors do not warrant the accuracy or completeness of this specification or any information contained therein. Texas Instruments and/or its licensors do not warrant that this design will meet the specifications, will be suitable for your application or fit for any particular purpose, or will operate in an implementation. Texas Instruments and/or its licensors do not warrant that the design is production worthy. You should completely validate and test your design implementation to confirm the system functionality for your application.

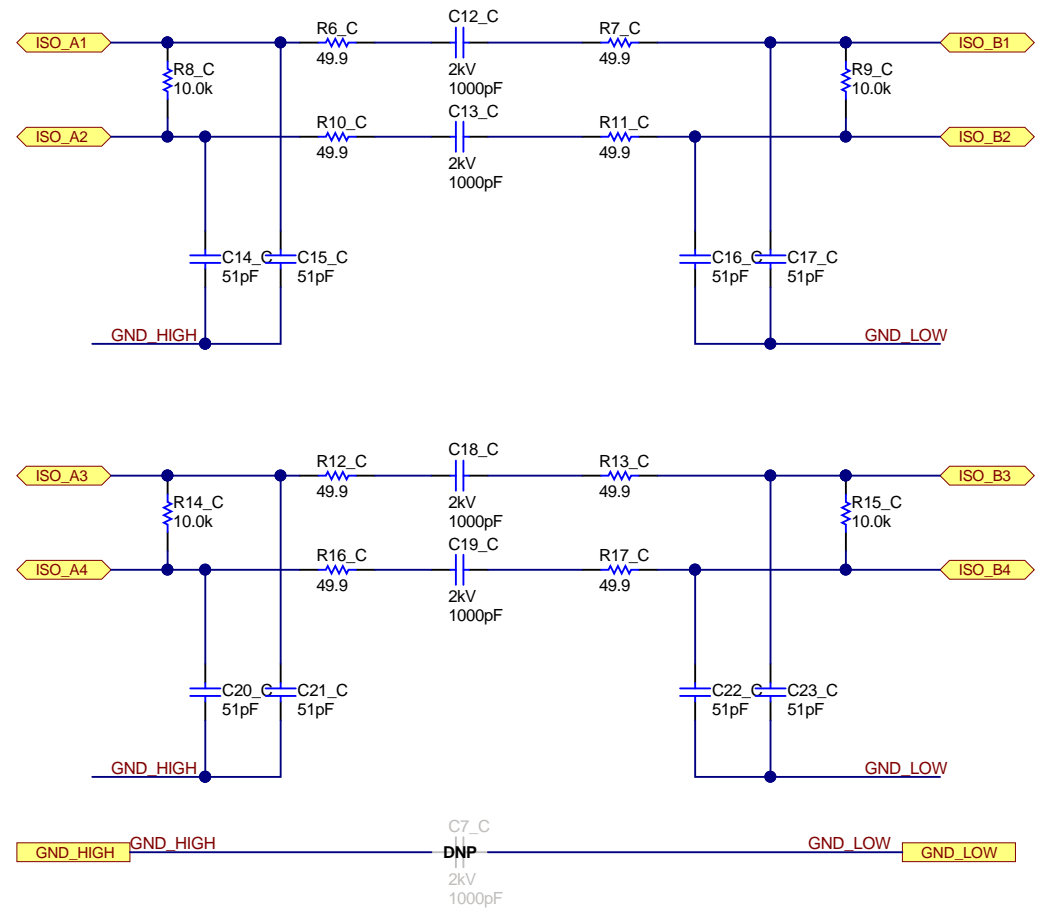
Orderable: ChangeMe!	Designed for: Public Release	Mod. Date: 6/6/2018	 http://www.ti.com © Texas Instruments 2017
TID #: N/A	Project Title: Change in menu Project/Project Options/Parameters		
Number: TIDA-01537	Rev: E1	Sheet Title:	
SVN Rev: Not in version control	Assembly Variant: 001	Sheet: 8 of 11	
Drawn By:	File: TIDA-01537_Automotive96SBMS_OnboardIso.SchDoc	Size: B	
Engineer: Rama Kambham & Tobias	Contact: http://www.ti.com/support		



Texas Instruments and/or its licensors do not warrant the accuracy or completeness of this specification or any information contained therein. Texas Instruments and/or its licensors do not warrant that this design will meet the specifications, will be suitable for your application or fit for any particular purpose, or will operate in an implementation. Texas Instruments and/or its licensors do not warrant that the design is production worthy. You should completely validate and test your design implementation to confirm the system functionality for your application.

Orderable: ChangeMe!	Designed for: Public Release	Mod. Date: 6/6/2018
TID #: N/A	Project Title: Change in menu Project/Project Options/Parameters	
Number: TIDA-01537	Rev: E1	Sheet Title:
SVN Rev: Not in version control	Assembly Variant: 001	Sheet: 8 of 11
Drawn By:	File: TIDA-01537_Automotive96SBMS_OnboardIso.SchDoc	Sheet: B
Engineer: Rama Kambham & Tobias	Contact: http://www.ti.com/support	





Texas Instruments and/or its licensors do not warrant the accuracy or completeness of this specification or any information contained therein. Texas Instruments and/or its licensors do not warrant that this design will meet the specifications, will be suitable for your application or fit for any particular purpose, or will operate in an implementation. Texas Instruments and/or its licensors do not warrant that the design is production worthy. You should completely validate and test your design implementation to confirm the system functionality for your application.

Orderable: ChangeMe!	Designed for: Public Release	Mod. Date: 6/6/2018
TID #: N/A	Project Title: Change in menu Project/Project Options/Parameters	
Number: TIDA-01537	Rev: E1	Sheet Title:
SVN Rev: Not in version control	Assembly Variant: 001	Sheet: 8 of 11
Drawn By:	File: TIDA-01537_Automotive96SBMS_OnboardIso.SchDoc	Size: B
Engineer: Rama Kambham & Tobias	Contact: http://www.ti.com/support	

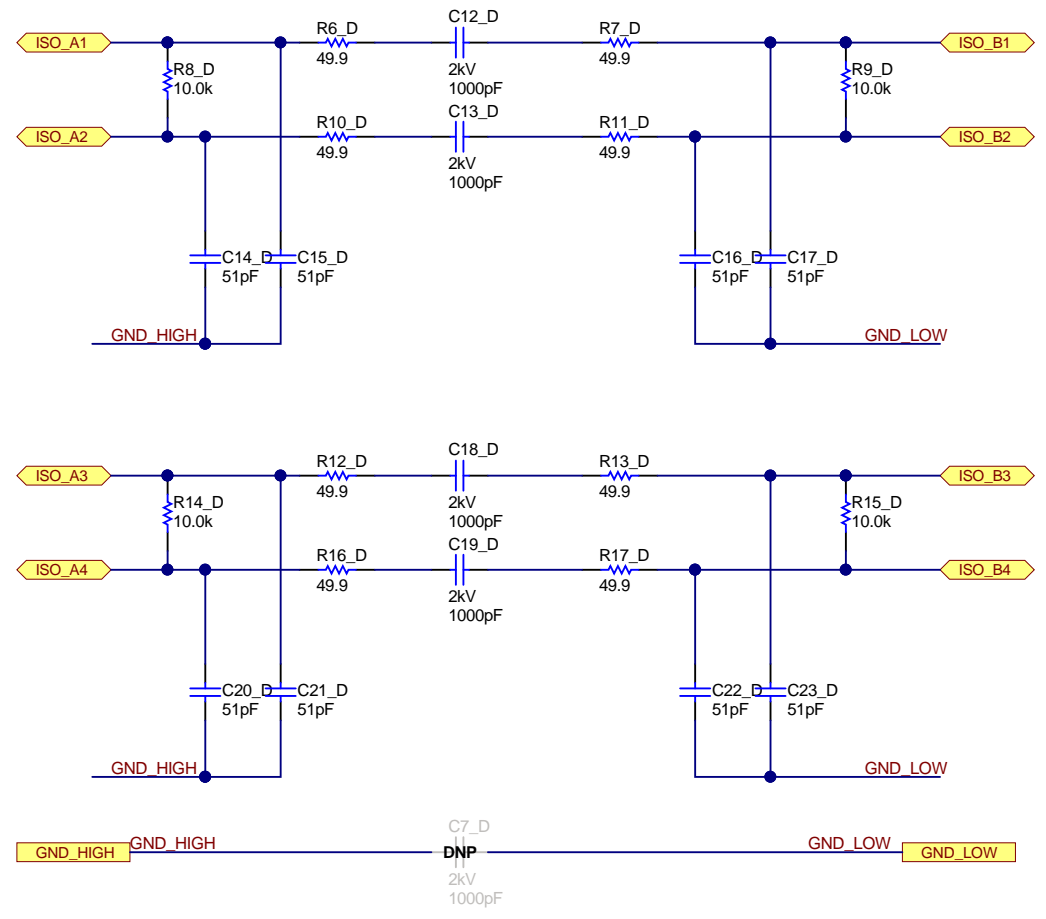


A

B

C

D



Texas Instruments and/or its licensors do not warrant the accuracy or completeness of this specification or any information contained therein. Texas Instruments and/or its licensors do not warrant that this design will meet the specifications, will be suitable for your application or fit for any particular purpose, or will operate in an implementation. Texas Instruments and/or its licensors do not warrant that the design is production worthy. You should completely validate and test your design implementation to confirm the system functionality for your application.

Orderable: ChangeMe!	Designed for: Public Release	Mod. Date: 6/6/2018
TID #: N/A	Project Title: Change in menu Project/Project Options/Parameters	
Number: TIDA-01537	Rev: E1	Sheet Title:
SVN Rev: Not in version control	Assembly Variant: 001	Sheet: 8 of 11
Drawn By:	File: TIDA-01537_Automotive96SBMS_OnboardIso.SchDoc	Size: B
Engineer: Rama Kambham & Tobias	Contact: http://www.ti.com/support	



A

A

B

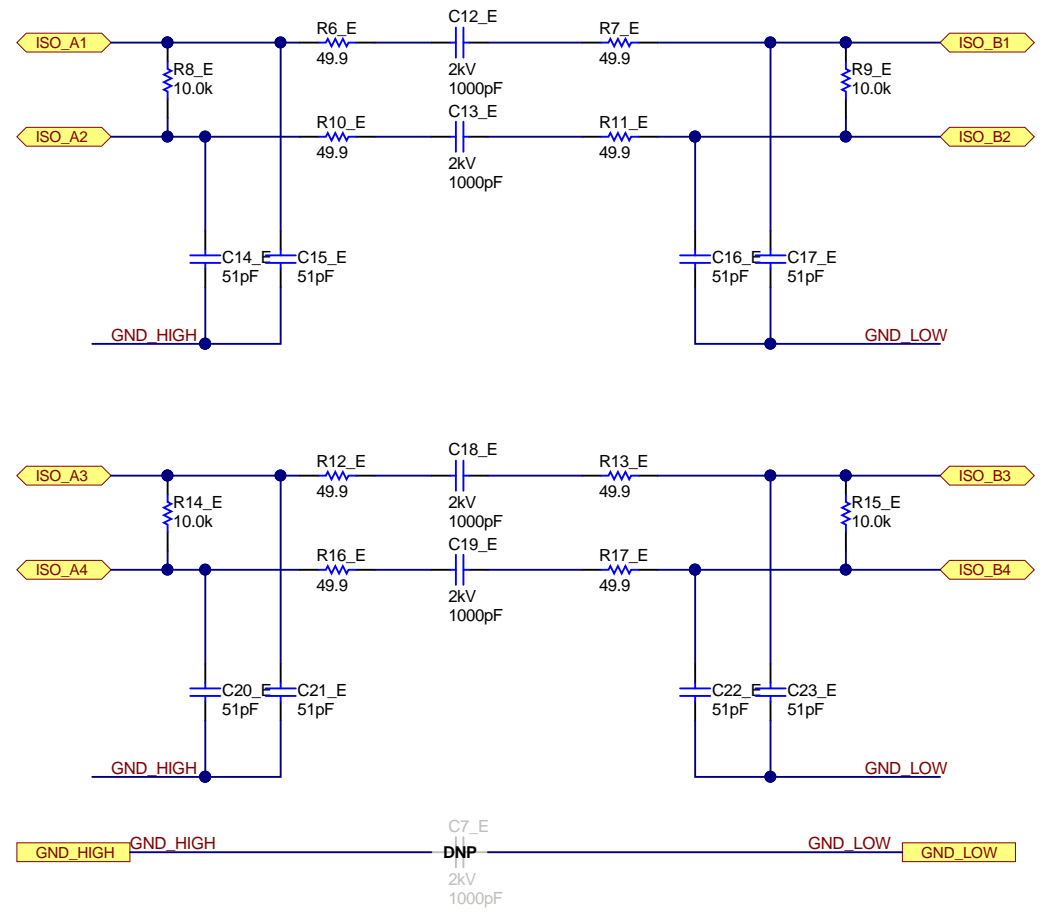
B

C

C

D

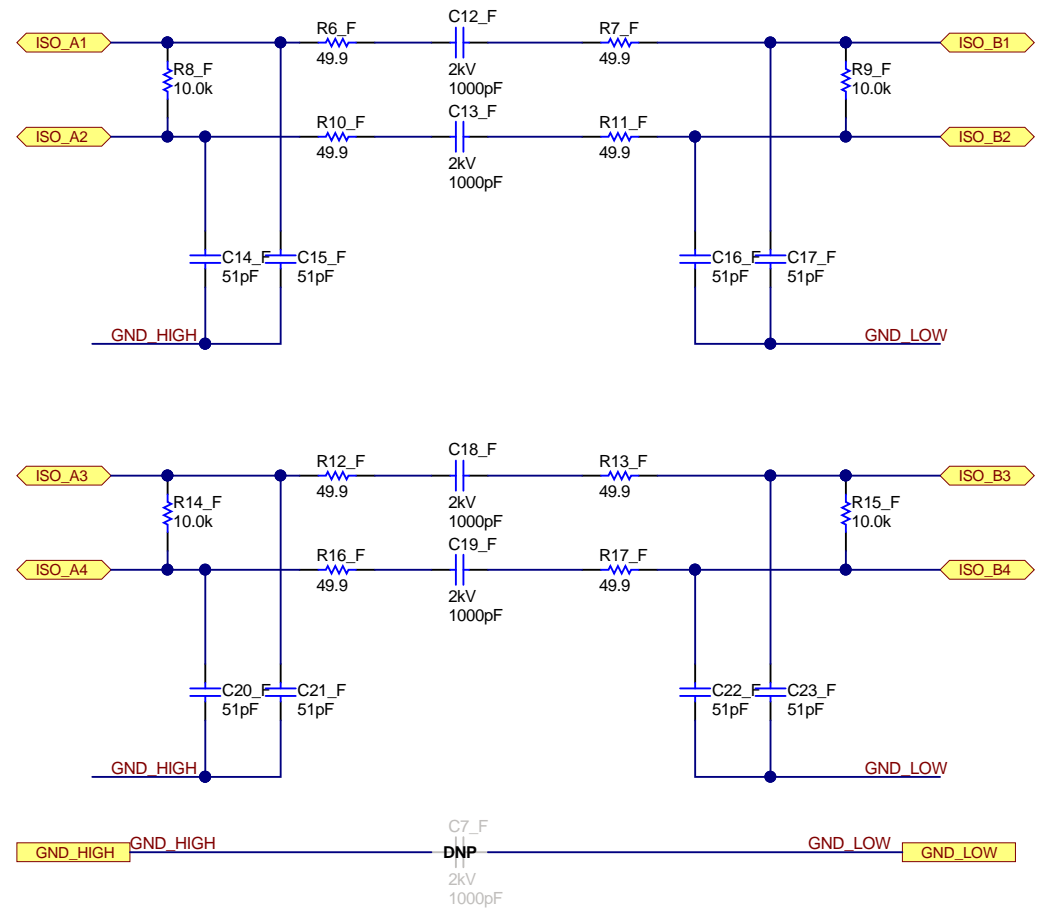
D



Texas Instruments and/or its licensors do not warrant the accuracy or completeness of this specification or any information contained therein. Texas Instruments and/or its licensors do not warrant that this design will meet the specifications, will be suitable for your application or fit for any particular purpose, or will operate in an implementation. Texas Instruments and/or its licensors do not warrant that the design is production worthy. You should completely validate and test your design implementation to confirm the system functionality for your application.

Orderable: ChangeMe!	Designed for: Public Release	Mod. Date: 6/6/2018
TID #: N/A	Project Title: Change in menu Project/Project Options/Parameters	
Number: TIDA-01537	Rev: E1	Sheet Title:
SVN Rev: Not in version control	Assembly Variant: 001	Sheet: 8 of 11
Drawn By:	File: TIDA-01537_Automotive96SBMS_OnboardIso.SchDoc	Size: B
Engineer: Rama Kambham & Tobias	Contact: http://www.ti.com/support	





Texas Instruments and/or its licensors do not warrant the accuracy or completeness of this specification or any information contained therein. Texas Instruments and/or its licensors do not warrant that this design will meet the specifications, will be suitable for your application or fit for any particular purpose, or will operate in an implementation. Texas Instruments and/or its licensors do not warrant that the design is production worthy. You should completely validate and test your design implementation to confirm the system functionality for your application.

Orderable: ChangeMe!	Designed for: Public Release	Mod. Date: 6/6/2018
TID #: N/A	Project Title: Change in menu Project/Project Options/Parameters	
Number: TIDA-01537	Rev: E1	Sheet Title:
SVN Rev: Not in version control	Assembly Variant: 001	Sheet: 8 of 11
Drawn By:	File: TIDA-01537_Automotive96SBMS_OnboardIso.SchDoc	Size: B
Engineer: Rama Kambham & Tobias	Contact: http://www.ti.com/support	



A

B

C

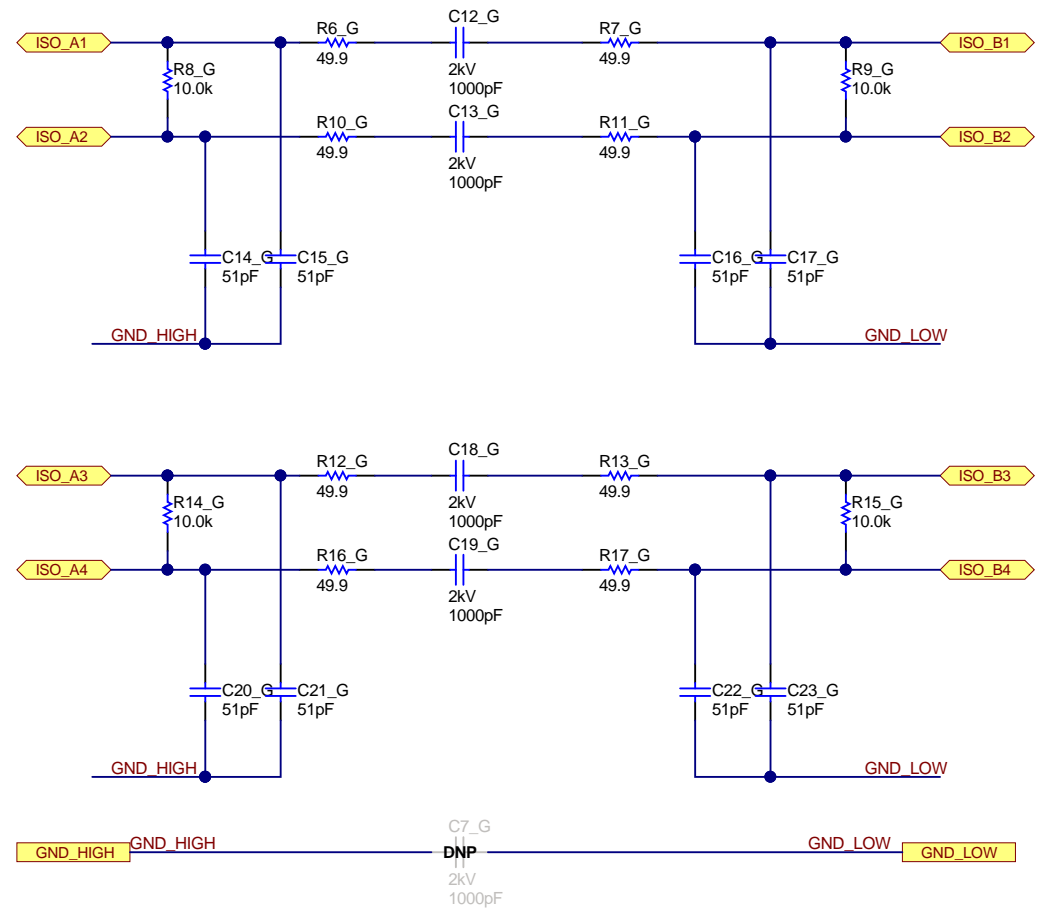
D

A

B

C

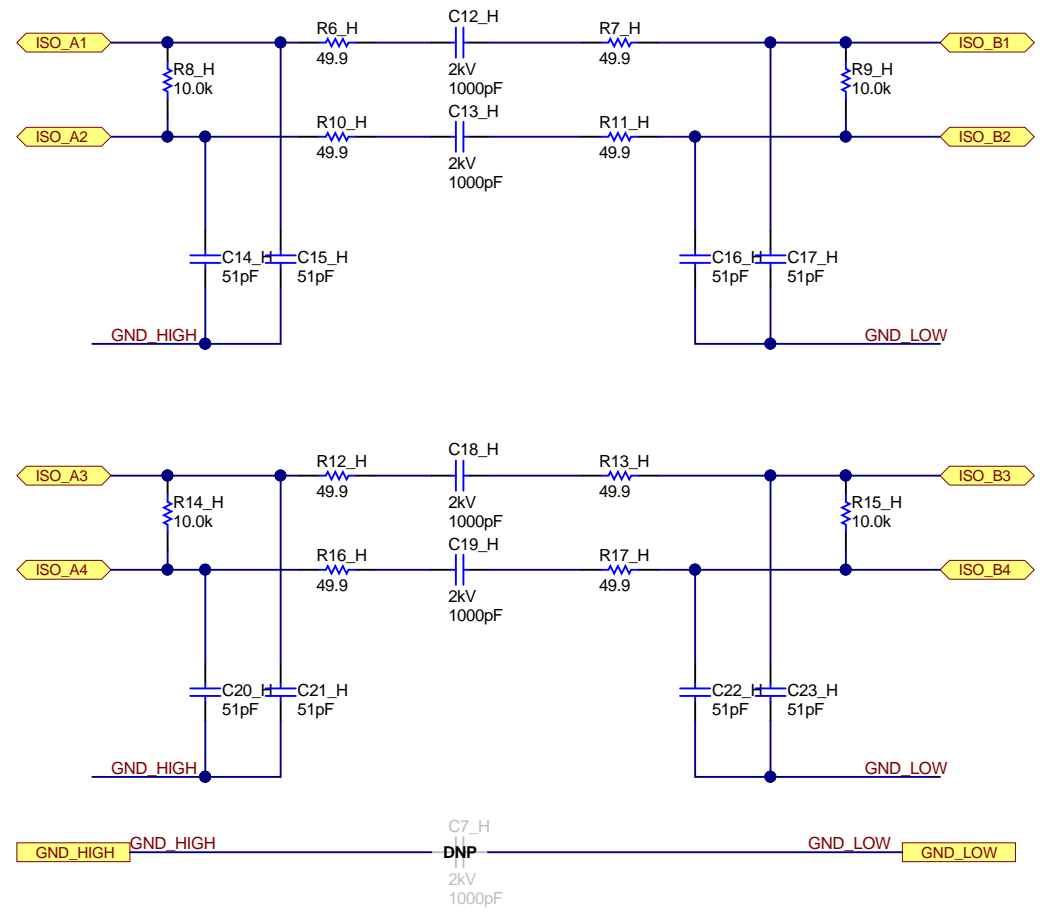
D




Texas Instruments and/or its licensors do not warrant the accuracy or completeness of this specification or any information contained therein. Texas Instruments and/or its licensors do not warrant that this design will meet the specifications, will be suitable for your application or fit for any particular purpose, or will operate in an implementation. Texas Instruments and/or its licensors do not warrant that the design is production worthy. You should completely validate and test your design implementation to confirm the system functionality for your application.

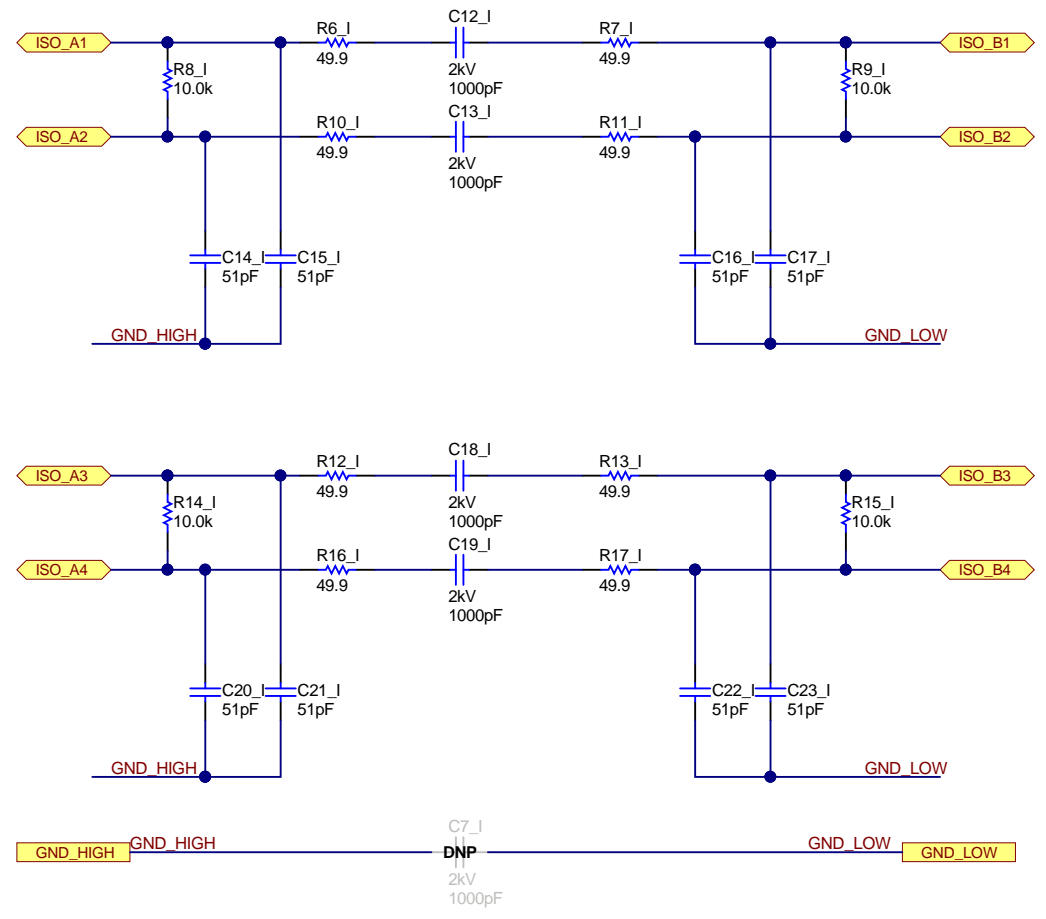
Orderable: ChangeMe!	Designed for: Public Release	Mod. Date: 6/6/2018
TID #: N/A	Project Title: Change in menu Project/Project Options/Parameters	
Number: TIDA-01537	Rev: E1	Sheet Title:
SVN Rev: Not in version control	Assembly Variant: 001	Sheet: 8 of 11
Drawn By:	File: TIDA-01537_Automotive96SBMS_OnboardIso.SchDoc	Size: B
Engineer: Rama Kambham & Tobias	Contact: http://www.ti.com/support	





Texas Instruments and/or its licensors do not warrant the accuracy or completeness of this specification or any information contained therein. Texas Instruments and/or its licensors do not warrant that this design will meet the specifications, will be suitable for your application or fit for any particular purpose, or will operate in an implementation. Texas Instruments and/or its licensors do not warrant that the design is production worthy. You should completely validate and test your design implementation to confirm the system functionality for your application.

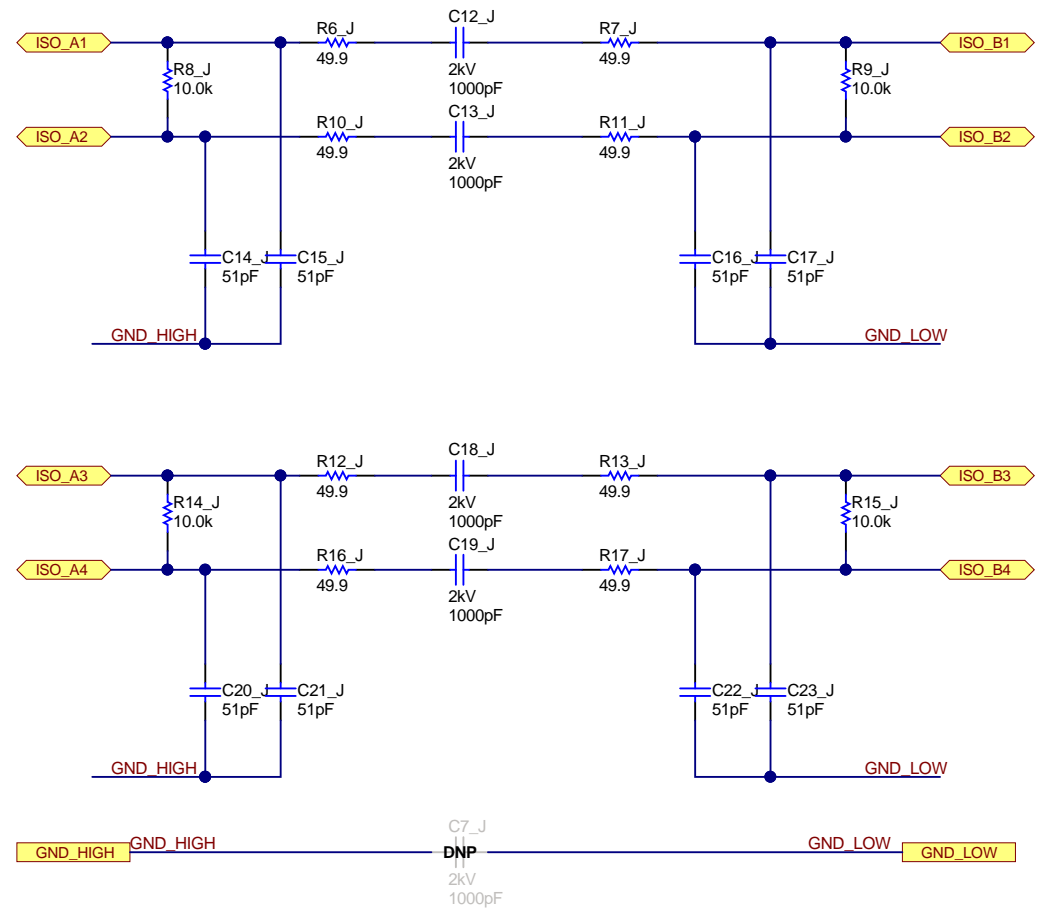
Orderable: ChangeMe!	Designed for: Public Release	Mod. Date: 6/6/2018	 http://www.ti.com © Texas Instruments 2017
TID #: N/A	Project Title: Change in menu Project/Project Options/Parameters		
Number: TIDA-01537	Rev: E1	Sheet Title:	
SVN Rev: Not in version control	Assembly Variant: 001	Sheet: 8 of 11	
Drawn By:	File: TIDA-01537_Automotive96SBMS_OnboardIso.SchDoc	Size: B	
Engineer: Rama Kambham & Tobias	Contact: http://www.ti.com/support		



Texas Instruments and/or its licensors do not warrant the accuracy or completeness of this specification or any information contained therein. Texas Instruments and/or its licensors do not warrant that this design will meet the specifications, will be suitable for your application or fit for any particular purpose, or will operate in an implementation. Texas Instruments and/or its licensors do not warrant that the design is production worthy. You should completely validate and test your design implementation to confirm the system functionality for your application.

Orderable: ChangeMe!	Designed for: Public Release	Mod. Date: 6/6/2018
TID #: N/A	Project Title: Change in menu Project/Project Options/Parameters	
Number: TIDA-01537	Rev: E1	Sheet Title:
SVN Rev: Not in version control	Assembly Variant: 001	Sheet: 8 of 11
Drawn By:	File: TIDA-01537_Automotive96SBMS_OnboardIso.SchDoc	Size: B
Engineer: Rama Kambham & Tobias	Contact: http://www.ti.com/support	

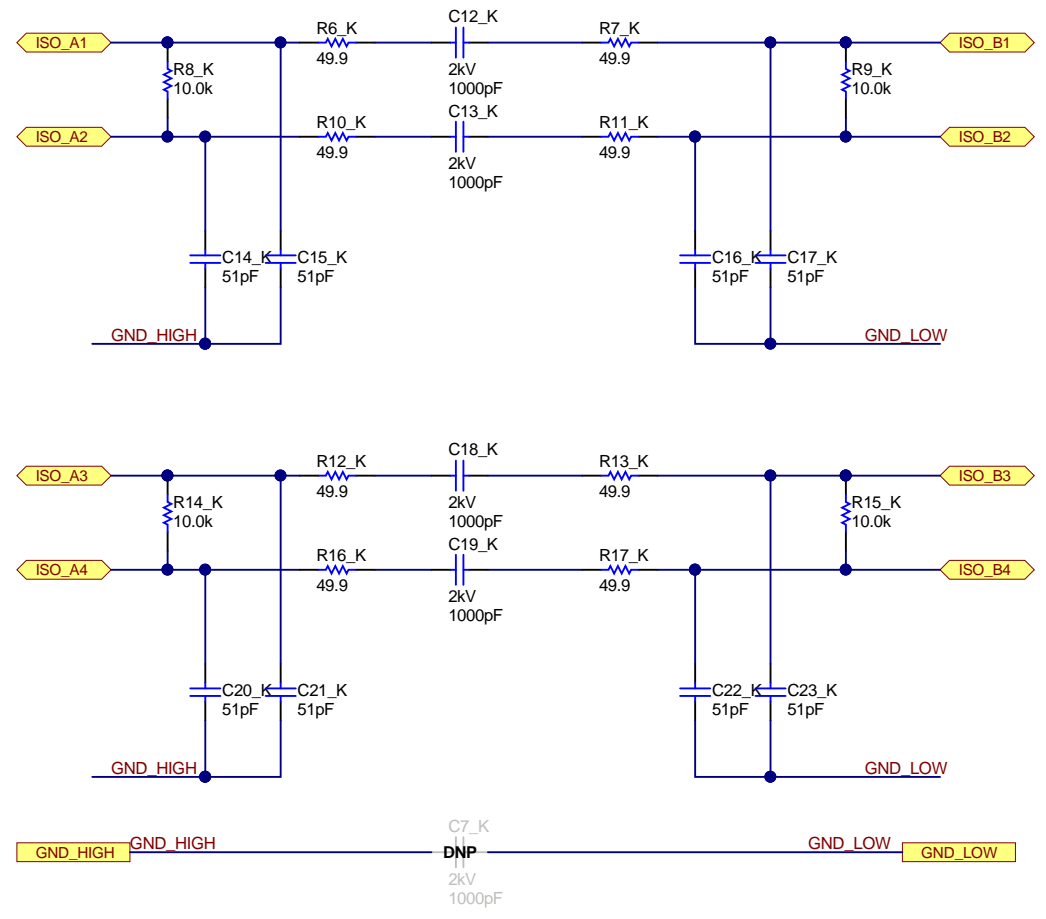




Texas Instruments and/or its licensors do not warrant the accuracy or completeness of this specification or any information contained therein. Texas Instruments and/or its licensors do not warrant that this design will meet the specifications, will be suitable for your application or fit for any particular purpose, or will operate in an implementation. Texas Instruments and/or its licensors do not warrant that the design is production worthy. You should completely validate and test your design implementation to confirm the system functionality for your application.

Orderable: ChangeMe!	Designed for: Public Release	Mod. Date: 6/6/2018
TID #: N/A	Project Title: Change in menu Project/Project Options/Parameters	
Number: TIDA-01537	Rev: E1	Sheet Title:
SVN Rev: Not in version control	Assembly Variant: 001	Sheet: 8 of 11
Drawn By:	File: TIDA-01537_Automotive96SBMS_OnboardIso.SchDoc	Size: B
Engineer: Rama Kambham & Tobias	Contact: http://www.ti.com/support	





Texas Instruments and/or its licensors do not warrant the accuracy or completeness of this specification or any information contained therein. Texas Instruments and/or its licensors do not warrant that this design will meet the specifications, will be suitable for your application or fit for any particular purpose, or will operate in an implementation. Texas Instruments and/or its licensors do not warrant that the design is production worthy. You should completely validate and test your design implementation to confirm the system functionality for your application.

Orderable: ChangeMe!	Designed for: Public Release	Mod. Date: 6/6/2018
TID #: N/A	Project Title: Change in menu Project/Project Options/Parameters	
Number: TIDA-01537	Rev: E1	Sheet Title:
SVN Rev: Not in version control	Assembly Variant: 001	Sheet: 8 of 11
Drawn By:	File: TIDA-01537_Automotive96SBMS_OnboardIso.SchDoc	Size: B
Engineer: Rama Kambham & Tobias	Contact: http://www.ti.com/support	

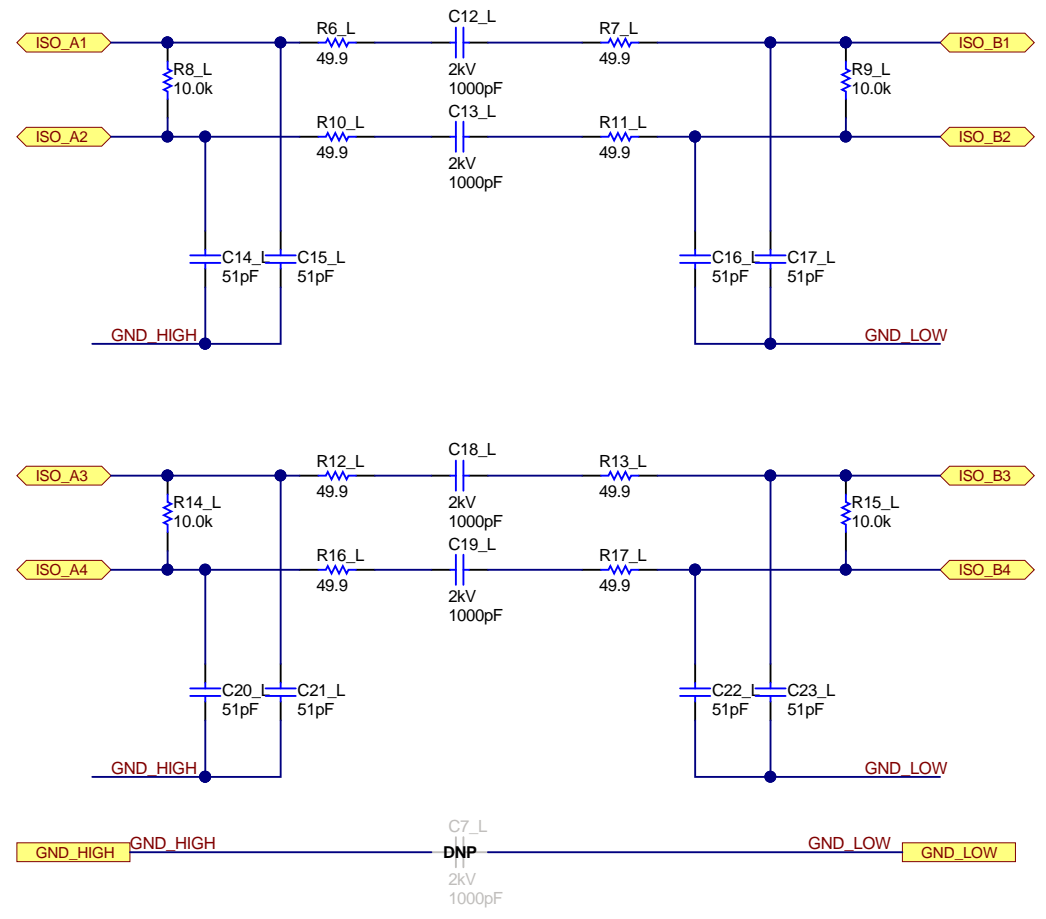


A

B

C

D



Texas Instruments and/or its licensors do not warrant the accuracy or completeness of this specification or any information contained therein. Texas Instruments and/or its licensors do not warrant that this design will meet the specifications, will be suitable for your application or fit for any particular purpose, or will operate in an implementation. Texas Instruments and/or its licensors do not warrant that the design is production worthy. You should completely validate and test your design implementation to confirm the system functionality for your application.

Orderable: ChangeMe!	Designed for: Public Release	Mod. Date: 6/6/2018
TID #: N/A	Project Title: Change in menu Project/Project Options/Parameters	
Number: TIDA-01537	Rev: E1	Sheet Title:
SVN Rev: Not in version control	Assembly Variant: 001	Sheet: 8 of 11
Drawn By:	File: TIDA-01537_Automotive96SBMS_OnboardIso.SchDoc	Size: B
Engineer: Rama Kambham & Tobias	Contact: http://www.ti.com/support	

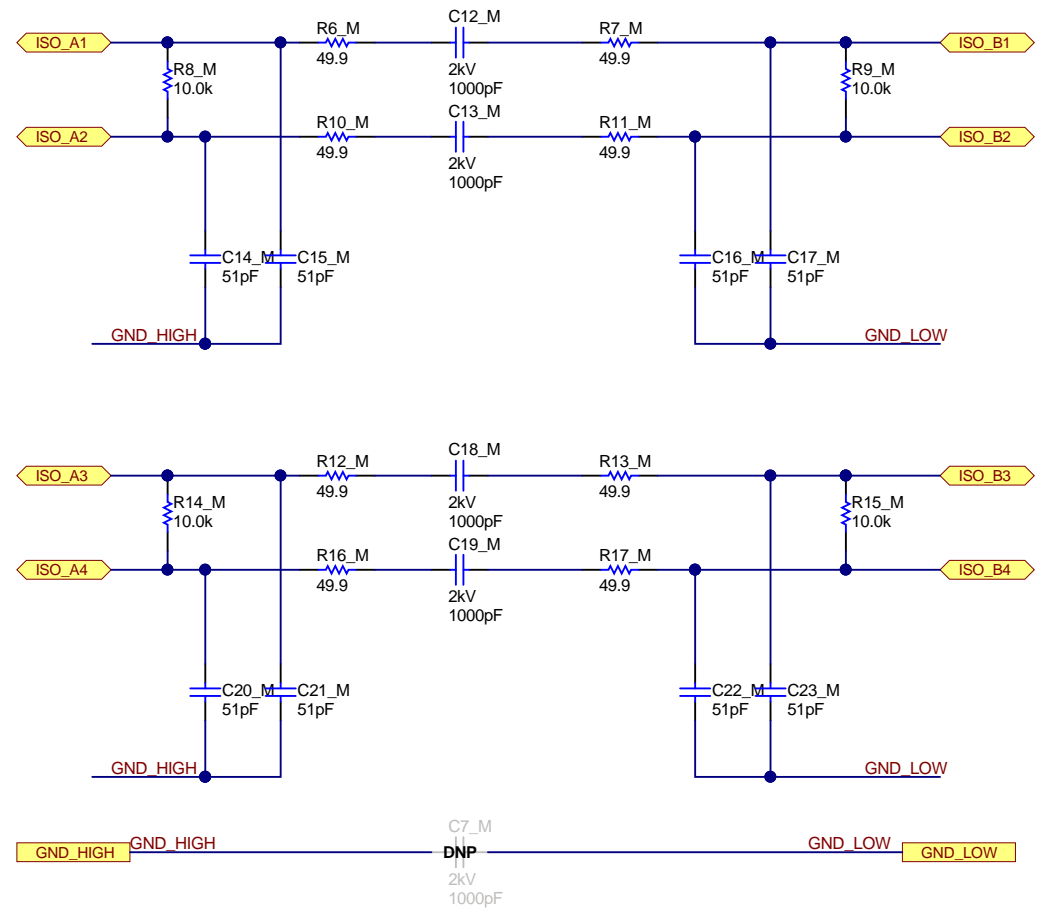


A

B

C

D



Texas Instruments and/or its licensors do not warrant the accuracy or completeness of this specification or any information contained therein. Texas Instruments and/or its licensors do not warrant that this design will meet the specifications, will be suitable for your application or fit for any particular purpose, or will operate in an implementation. Texas Instruments and/or its licensors do not warrant that the design is production worthy. You should completely validate and test your design implementation to confirm the system functionality for your application.

Orderable: ChangeMe!	Designed for: Public Release	Mod. Date: 6/6/2018
TID #: N/A	Project Title: Change in menu Project/Project Options/Parameters	
Number: TIDA-01537	Rev: E1	Sheet Title:
SVN Rev: Not in version control	Assembly Variant: 001	Sheet: 8 of 11
Drawn By:	File: TIDA-01537_Automotive96SBMS_OnboardIso.SchDoc	Size: B
Engineer: Rama Kambham & Tobias	Contact: http://www.ti.com/support	



A

B

C

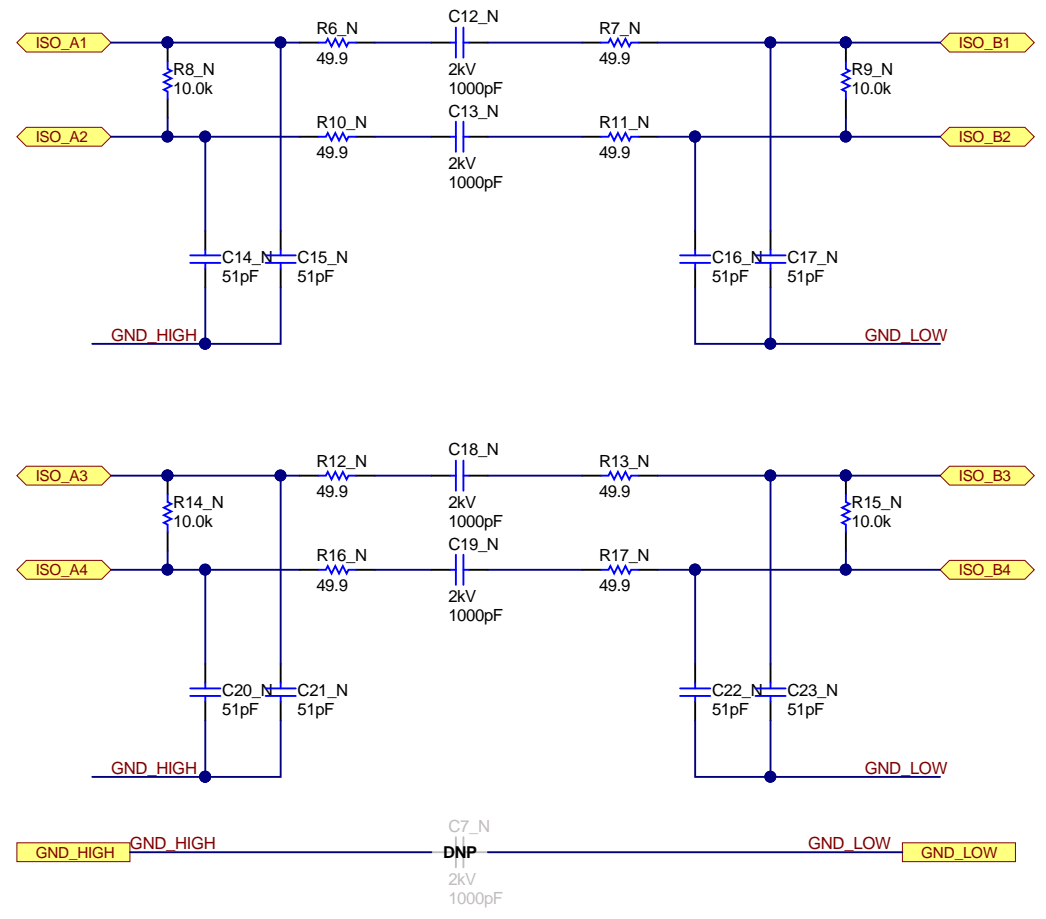
D

A


B

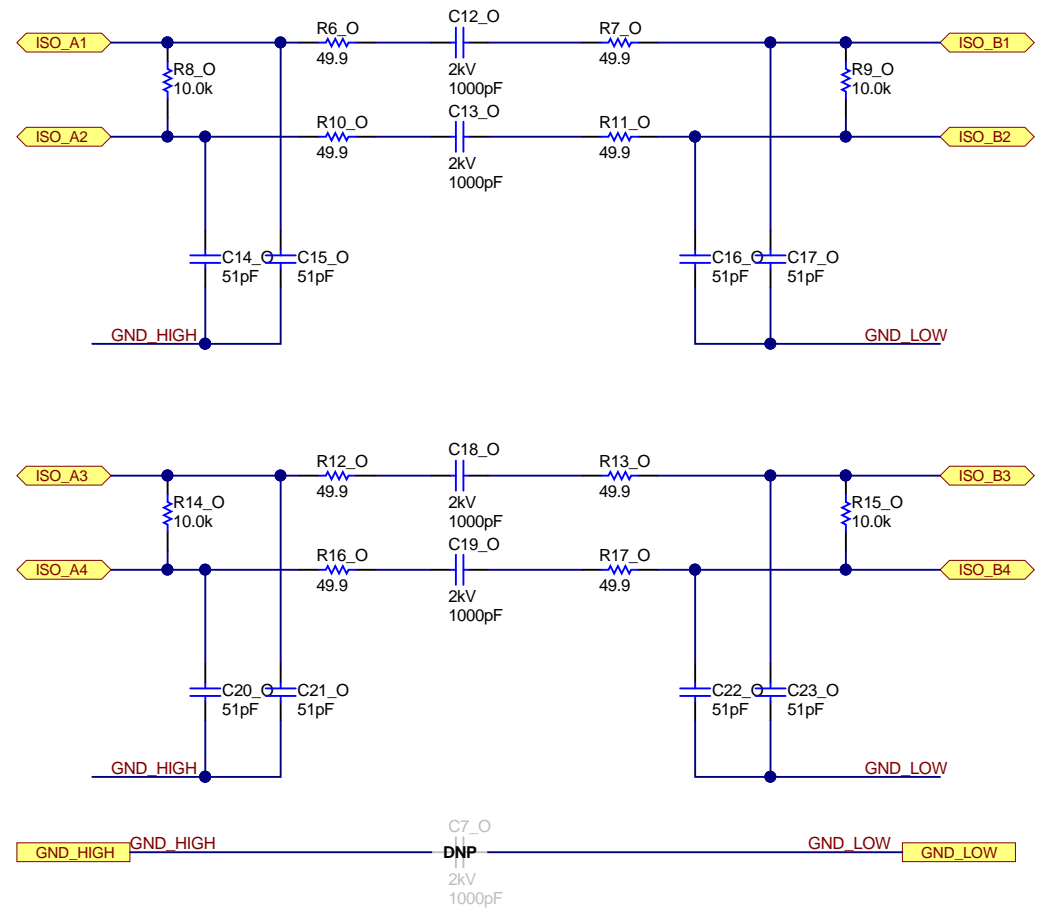
C

D



Texas Instruments and/or its licensors do not warrant the accuracy or completeness of this specification or any information contained therein. Texas Instruments and/or its licensors do not warrant that this design will meet the specifications, will be suitable for your application or fit for any particular purpose, or will operate in an implementation. Texas Instruments and/or its licensors do not warrant that the design is production worthy. You should completely validate and test your design implementation to confirm the system functionality for your application.

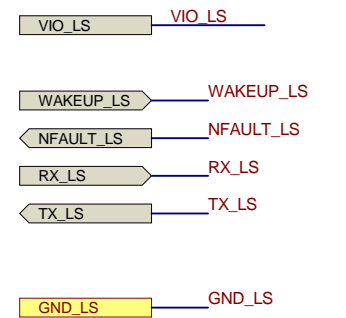
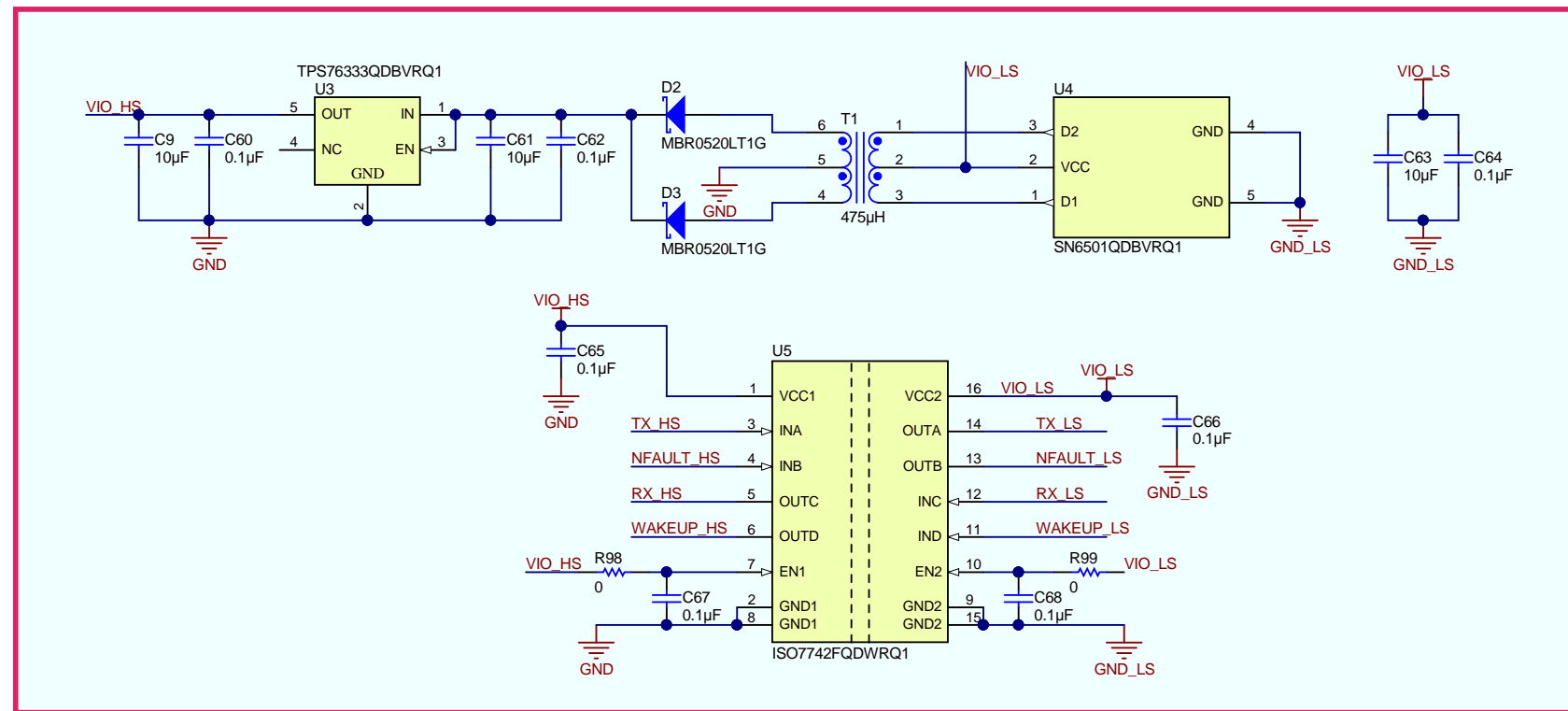
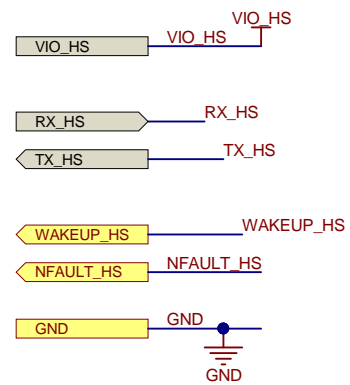
Orderable: ChangeMe!	Designed for: Public Release	Mod. Date: 6/6/2018	 http://www.ti.com © Texas Instruments 2017
TID #: N/A	Project Title: Change in menu Project/Project Options/Parameters		
Number: TIDA-01537	Rev: E1	Sheet Title:	
SVN Rev: Not in version control	Assembly Variant: 001	Sheet: 8 of 11	
Drawn By:	File: TIDA-01537_Automotive96SBMS_OnboardIso.SchDoc	Size: B	
Engineer: Rama Kambham & Tobias	Contact: http://www.ti.com/support		

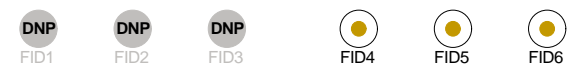


Texas Instruments and/or its licensors do not warrant the accuracy or completeness of this specification or any information contained therein. Texas Instruments and/or its licensors do not warrant that this design will meet the specifications, will be suitable for your application or fit for any particular purpose, or will operate in an implementation. Texas Instruments and/or its licensors do not warrant that the design is production worthy. You should completely validate and test your design implementation to confirm the system functionality for your application.

Orderable: ChangeMe!	Designed for: Public Release	Mod. Date: 6/6/2018
TID #: N/A	Project Title: Change in menu Project/Project Options/Parameters	
Number: TIDA-01537	Rev: E1	Sheet Title:
SVN Rev: Not in version control	Assembly Variant: 001	Sheet: 8 of 11
Drawn By:	File: TIDA-01537_Automotive96SBMS_OnboardIso.SchDoc	Size: B
Engineer: Rama Kambham & Tobias	Contact: http://www.ti.com/support	



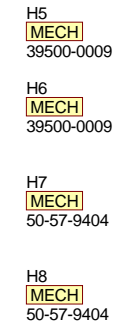
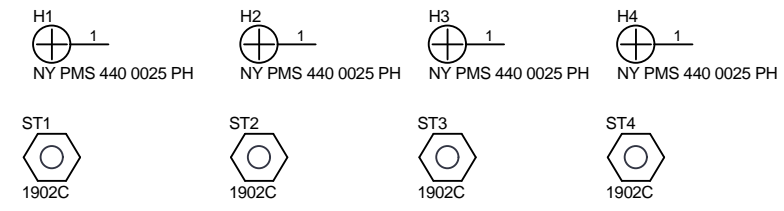
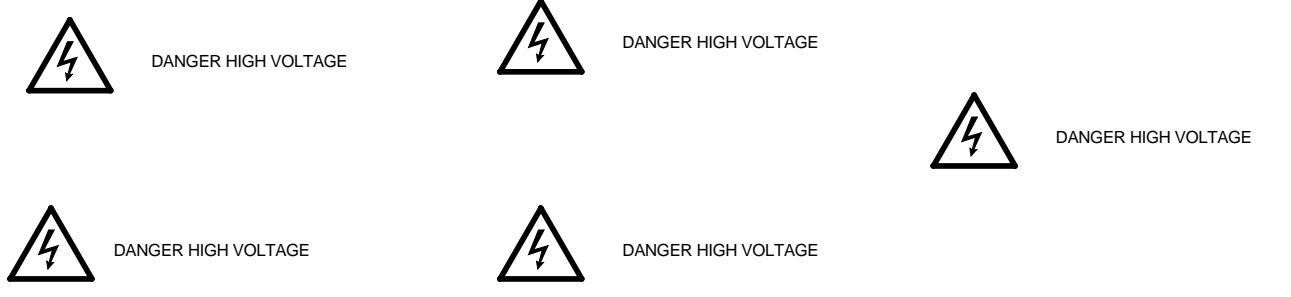




PCB Number: TIDA-01537
PCB Rev: E1

PCB LOGO
Pb-Free Symbol

PCB LOGO
FCC disclaimer



Orderable: ChangeMe!	Designed for: Public Release	Mod. Date: 10/15/2018	<p>http://www.ti.com © Texas Instruments 2017</p>
TID #: N/A	Project Title: Change in menu Project/Project Options/Parameters		
Number: TIDA-01537	Rev: E1	Sheet Title:	
SVN Rev: Not in version control	Assembly Variant: 001	Sheet: 11 of 11	
Drawn By: Rama Kambham & Tobias	File: TIDA-01537_Automotive96SBMS_Hardware.SchDoc	Size: B	
Engineer: Rama Kambham & Tobias	Contact: http://www.ti.com/support		

Texas Instruments and/or its licensors do not warrant the accuracy or completeness of this specification or any information contained therein. Texas Instruments and/or its licensors do not warrant that this design will meet the specifications, will be suitable for your application or fit for any particular purpose, or will operate in an implementation. Texas Instruments and/or its licensors do not warrant that the design is production worthy. You should completely validate and test your design implementation to confirm the system functionality for your application.

IMPORTANT NOTICE AND DISCLAIMER

TI PROVIDES TECHNICAL AND RELIABILITY DATA (INCLUDING DATASHEETS), DESIGN RESOURCES (INCLUDING REFERENCE DESIGNS), APPLICATION OR OTHER DESIGN ADVICE, WEB TOOLS, SAFETY INFORMATION, AND OTHER RESOURCES "AS IS" AND WITH ALL FAULTS, AND DISCLAIMS ALL WARRANTIES, EXPRESS AND IMPLIED, INCLUDING WITHOUT LIMITATION ANY IMPLIED WARRANTIES OF MERCHANTABILITY, FITNESS FOR A PARTICULAR PURPOSE OR NON-INFRINGEMENT OF THIRD PARTY INTELLECTUAL PROPERTY RIGHTS.

These resources are intended for skilled developers designing with TI products. You are solely responsible for (1) selecting the appropriate TI products for your application, (2) designing, validating and testing your application, and (3) ensuring your application meets applicable standards, and any other safety, security, or other requirements. These resources are subject to change without notice. TI grants you permission to use these resources only for development of an application that uses the TI products described in the resource. Other reproduction and display of these resources is prohibited. No license is granted to any other TI intellectual property right or to any third party intellectual property right. TI disclaims responsibility for, and you will fully indemnify TI and its representatives against, any claims, damages, costs, losses, and liabilities arising out of your use of these resources.

TI's products are provided subject to TI's Terms of Sale (www.ti.com/legal/termsofsale.html) or other applicable terms available either on ti.com or provided in conjunction with such TI products. TI's provision of these resources does not expand or otherwise alter TI's applicable warranties or warranty disclaimers for TI products.

Mailing Address: Texas Instruments, Post Office Box 655303, Dallas, Texas 75265
Copyright © 2018, Texas Instruments Incorporated