

Automotive LED Lighting With Adjustable Shunt References



Automotive suppliers are developing innovative ways to further enhance the user experience within vehicles. For instance, the external rear lights have various functions such as sequential illuminating turn signal indicators, dynamic braking lights, and multiple design elements for aesthetics - all possible with the adoption of LED lighting. There are various methods to implement how these LEDs are powered, one discrete method is by using a simple voltage reference. This method could yield design advantages such as ease in design efforts and reduction in solution cost.



The TL431-Q1 is an automotive grade adjustable shunt voltage reference. The three-terminal device has a 2.5 V internal bandgap voltage reference with a feedback pin to adjust the voltage reference from 2.5 V to 36 V. In addition, the feedback pin can be utilized to create a constant-current topology which can be used for automotive LEDs applications.

LEDs require proper current drive for illumination. A constant current source is one way to achieve correct current regulation, as shown in Figure 1. The current source circuit uses a bipolar junction transistor (BJT) and sense resistor. The base current of the transistor is being controlled by the TL431-Q1 such that the transistor is conducting to produce a 2.5 V current sense voltage at R_S . The current sense voltage is fed back to the feedback pin of the TL431-Q1 for a negative feedback control loop. In case of any transients, the TL431-Q1 can regulate properly to provide the constant current required.

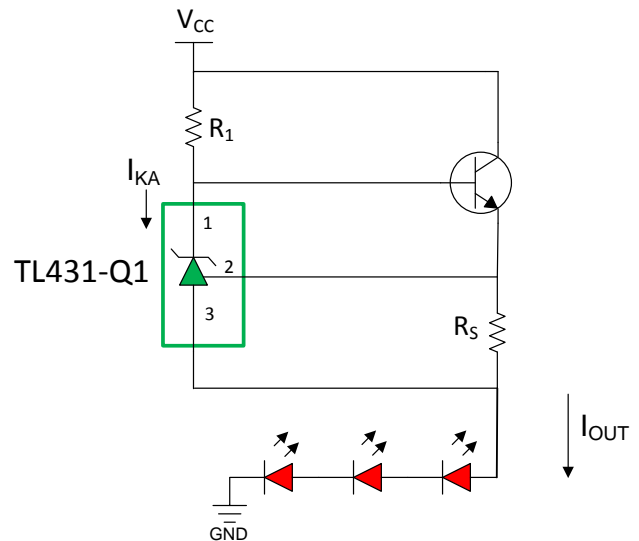


Figure 1. Constant Current Source Circuit

$$R_1 = \frac{V_{CC}}{\frac{I_{OUT}}{h_{FE}} + I_{KA}} \quad I_{OUT} = \frac{V_{REF}}{R_S} + I_{KA}$$

where

- R_1 = Input bias resistor (Ω)
- R_S = Current sense resistor (Ω)
- I_{OUT} = Output current source (A)
- I_{KA} = Cathode current (A)
- V_{REF} = Internal feedback reference (V)
- V_{CC} = Input supply voltage (V)
- h_{FE} = Transistor DC current gain

Equation 1 shows, the cathode current of the TL431-Q1, I_{KA} , contributes to the overall current source. The TL431-Q1 will require at most 1 mA of cathode current to function. If the required constant current is low, the varying I_{KA} across devices can affect the accuracy of the current source.

One solution to omit the cathode current is to use a constant current sink circuit instead of a sourcing circuit, as shown in Figure 2. The circuit is designed to sink the proper current for proper lighting of the LEDs. The relationship between the transistor, sense resistor, and TL431-Q1 are the same as the circuit shown in . Equation 2 shows, the current sink circuit does not need to take the cathode current into consideration when selecting the current sink.

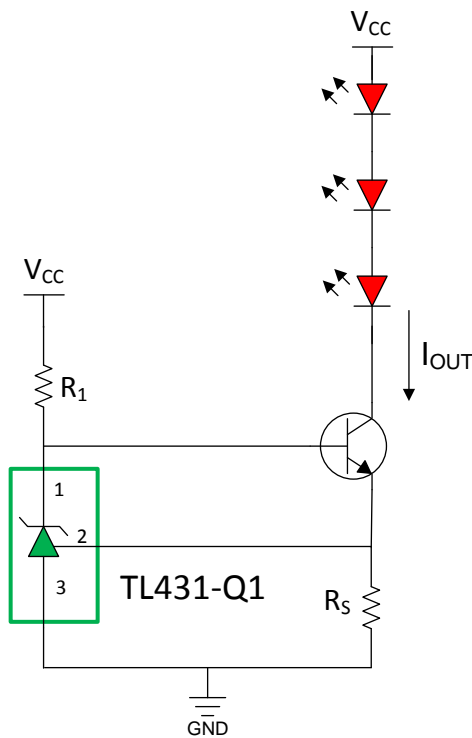


Figure 2. Constant Current Sink Circuit

$$R_1 = \frac{V_{CC}}{\frac{I_{OUT}}{h_{FE}} + I_{KA}} \quad I_{OUT} = \frac{V_{REF}}{R_S}$$

where

- I_{OUT} = Output current sink
- Others = Same as before (2)

In some applications, multiple LED strings are required. In both circuit topologies, parallel LED strings can be implemented using one TL431-Q1 as long as the strings of LEDs require the same current. Figure 3 shows a constant-current sink with three parallel LED strings. The cathode is connecting to the base of each transistor. One of the sense resistors is fed back to the feedback pin of the TL431-Q1 as a sense voltage for regulation. One thing to note is the current of other strings may vary due varying transistor characteristics and resistor accuracy.

The accuracy of the current depends on the TL431-Q1 grade, current sense resistor, and transistor. R_1 must be a properly sized to provide minimum cathode current to the TL431-Q1 for regulation and enough base current to conduct the transistor. Current sense

1 Trademarks

All trademarks are the property of their respective owners.

resistors accuracy varies and can be chosen depending on the application. For the transistor, the DC current gain, h_{FE} , will be the main characteristic for inaccuracy. The manufacturer's datasheet will provide minimum and maximum values.

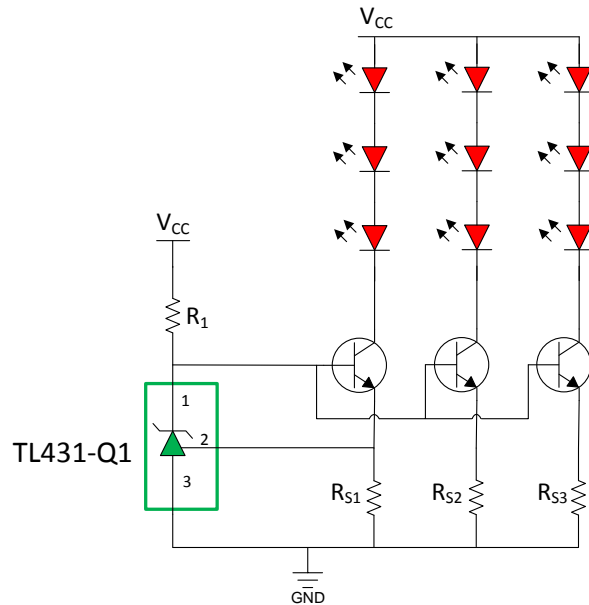


Figure 3. Current Sink With Parallel LED Strings

Alternate Device Recommendations

If the TL431-Q1 cathode current becomes an issue for high side current sourcing, consider using an alternate device featured in Table 1. The devices are all adjustable shunt references with $I_{KA(MIN)}$ less than 100 μA . The devices also have an internal bandgap reference of 1.24 V compared to the 2.5 V of the TL431-Q1. Ensure that the sense resistors are designed properly.

Table 1. Alternative Device Recommendations

Device	Optimized Parameters	Performance Trade-Off
LM4041-N-Q1	Minimum I_{KA} ; Temperature coefficient	Cathode current rating
TLV431-Q1	Minimum I_{KA}	Initial accuracy; Cathode current rating; Temperature coefficient
TLVH431-Q1	Minimum I_{KA}	Initial accuracy; Cathode current rating; Temperature coefficient

IMPORTANT NOTICE FOR TI DESIGN INFORMATION AND RESOURCES

Texas Instruments Incorporated ("TI") technical, application or other design advice, services or information, including, but not limited to, reference designs and materials relating to evaluation modules, (collectively, "TI Resources") are intended to assist designers who are developing applications that incorporate TI products; by downloading, accessing or using any particular TI Resource in any way, you (individually or, if you are acting on behalf of a company, your company) agree to use it solely for this purpose and subject to the terms of this Notice.

TI's provision of TI Resources does not expand or otherwise alter TI's applicable published warranties or warranty disclaimers for TI products, and no additional obligations or liabilities arise from TI providing such TI Resources. TI reserves the right to make corrections, enhancements, improvements and other changes to its TI Resources.

You understand and agree that you remain responsible for using your independent analysis, evaluation and judgment in designing your applications and that you have full and exclusive responsibility to assure the safety of your applications and compliance of your applications (and of all TI products used in or for your applications) with all applicable regulations, laws and other applicable requirements. You represent that, with respect to your applications, you have all the necessary expertise to create and implement safeguards that (1) anticipate dangerous consequences of failures, (2) monitor failures and their consequences, and (3) lessen the likelihood of failures that might cause harm and take appropriate actions. You agree that prior to using or distributing any applications that include TI products, you will thoroughly test such applications and the functionality of such TI products as used in such applications. TI has not conducted any testing other than that specifically described in the published documentation for a particular TI Resource.

You are authorized to use, copy and modify any individual TI Resource only in connection with the development of applications that include the TI product(s) identified in such TI Resource. NO OTHER LICENSE, EXPRESS OR IMPLIED, BY ESTOPPEL OR OTHERWISE TO ANY OTHER TI INTELLECTUAL PROPERTY RIGHT, AND NO LICENSE TO ANY TECHNOLOGY OR INTELLECTUAL PROPERTY RIGHT OF TI OR ANY THIRD PARTY IS GRANTED HEREIN, including but not limited to any patent right, copyright, mask work right, or other intellectual property right relating to any combination, machine, or process in which TI products or services are used. Information regarding or referencing third-party products or services does not constitute a license to use such products or services, or a warranty or endorsement thereof. Use of TI Resources may require a license from a third party under the patents or other intellectual property of the third party, or a license from TI under the patents or other intellectual property of TI.

TI RESOURCES ARE PROVIDED "AS IS" AND WITH ALL FAULTS. TI DISCLAIMS ALL OTHER WARRANTIES OR REPRESENTATIONS, EXPRESS OR IMPLIED, REGARDING TI RESOURCES OR USE THEREOF, INCLUDING BUT NOT LIMITED TO ACCURACY OR COMPLETENESS, TITLE, ANY EPIDEMIC FAILURE WARRANTY AND ANY IMPLIED WARRANTIES OF MERCHANTABILITY, FITNESS FOR A PARTICULAR PURPOSE, AND NON-INFRINGEMENT OF ANY THIRD PARTY INTELLECTUAL PROPERTY RIGHTS.

TI SHALL NOT BE LIABLE FOR AND SHALL NOT DEFEND OR INDEMNIFY YOU AGAINST ANY CLAIM, INCLUDING BUT NOT LIMITED TO ANY INFRINGEMENT CLAIM THAT RELATES TO OR IS BASED ON ANY COMBINATION OF PRODUCTS EVEN IF DESCRIBED IN TI RESOURCES OR OTHERWISE. IN NO EVENT SHALL TI BE LIABLE FOR ANY ACTUAL, DIRECT, SPECIAL, COLLATERAL, INDIRECT, PUNITIVE, INCIDENTAL, CONSEQUENTIAL OR EXEMPLARY DAMAGES IN CONNECTION WITH OR ARISING OUT OF TI RESOURCES OR USE THEREOF, AND REGARDLESS OF WHETHER TI HAS BEEN ADVISED OF THE POSSIBILITY OF SUCH DAMAGES.

You agree to fully indemnify TI and its representatives against any damages, costs, losses, and/or liabilities arising out of your non-compliance with the terms and provisions of this Notice.

This Notice applies to TI Resources. Additional terms apply to the use and purchase of certain types of materials, TI products and services. These include; without limitation, TI's standard terms for semiconductor products (<http://www.ti.com/sc/docs/stdterms.htm>), [evaluation modules](#), and [samples](http://www.ti.com/sc/docs/sampterm.htm) (<http://www.ti.com/sc/docs/sampterm.htm>).

Mailing Address: Texas Instruments, Post Office Box 655303, Dallas, Texas 75265
Copyright © 2018, Texas Instruments Incorporated