

# THS4541-Q1 负轨输入、轨到轨输出、高精度、850MHz 全差分放大器

## 1 特性

- 适用于汽车电子 应用
- 具有符合 AEC-Q100 标准的下列结果：
  - 器件温度 1 级：-40°C 至 +125°C 的环境运行温度范围
  - 器件人体放电模式 (HBM) 分类等级 2
  - 器件组件充电模式 (CDM) 分类等级 C6
- 完全差分放大器 (FDA) 架构
- 带宽：500MHz ( $G = 2V/V$ )
- 增益带宽产品：850MHz
- 转换率：1500V/ $\mu$ s
- $HD_2$ ：10MHz 时为 -95dBc ( $2V_{PP}$ ,  $R_L = 500\Omega$ )
- $HD_3$ ：10MHz 时为 -90dBc ( $2V_{PP}$ ,  $R_L = 500\Omega$ )
- 输入电压噪声：2.2nV/ $\sqrt{Hz}$  ( $f > 100kHz$ )
- 低偏移漂移： $\pm 0.5\mu V/^\circ C$  (典型值)
- 负轨输入 (NRI)
- 轨到轨输出 (RRO)
- $R_{load} \geq 50\Omega$  时仍可稳定运行
- 输出共模控制
- 电源：
  - 单电源电压范围：2.7V 到 5.4V
  - 分离电源电压范围： $\pm 1.35V$  到  $\pm 2.7V$
  - 静态电流：10.1mA (5V 电源)
- 断电能力：2 $\mu$ A (典型值)

## 2 应用

- 低功耗高性能模数转换器 (ADC) 驱动器
  - SAR、 $\Delta\Sigma$  和流水线
- 低功耗、高性能 (直流耦合或交流耦合)
  - 单端到差分放大器
  - 差分到差分放大器
- 差分有源滤波器
- 数模转换器 (DAC) 输出的差分互阻抗
- ADC3xxx 系列低功耗、高性能 ADC 的直流耦合或交流耦合接口
- 与 ADA4932-1 (VQFN-16) 引脚兼容

## 3 说明

THS4541-Q1 器件是一款低功耗、电压反馈、全差分放大器 (FDA)，其具有低于负电源轨的输入共模范围以及轨到轨输出。其设计用于低功耗数据采集系统，其中高密度对于高性能 ADC 或 DAC 接口设计至关重要。

THS4541-Q1 器件 提供了 连接直流耦合中央接地源信号所需的负轨输入。此负轨输入搭配轨到轨输出，只需使用一个 2.7V 到 5.4V 的电源即可轻松将单端接地基准双极信号源与各种逐次逼近寄存器 (SAR)、 $\Delta\Sigma$  或流水线 ADC 相连接。

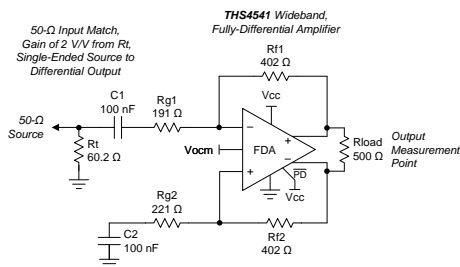
THS4541-Q1 器件的额定运行温度介于 -40°C 与 +125°C 之间，并且采用 16 引脚超薄四方扁平无引线 (VQFN) 封装。

### 器件信息(1)

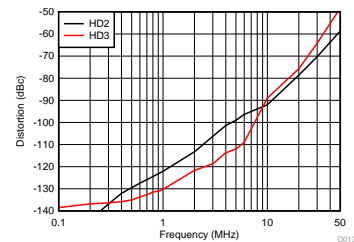
器件型号	封装	封装尺寸 (标称值)
THS4541-Q1	VQFN (16)	3.00mm x 3.00mm

(1) 要了解所有可用封装，请参见数据表末尾的封装选项附录。

### 简化电路原理图



### 单端到差分增益为 2, 2 V<sub>PP</sub> 输出



## 目录

<b>1</b>	特性 .....	1	8.7	Driving Capacitive Loads .....	32
<b>2</b>	应用 .....	1	8.8	Thermal Analysis.....	32
<b>3</b>	说明 .....	1	<b>9</b>	<b>Detailed Description .....</b>	<b>33</b>
<b>4</b>	修订历史记录 .....	2	9.1	Overview .....	33
<b>5</b>	<b>Device Family Comparison .....</b>	<b>3</b>	9.2	Functional Block Diagram .....	34
<b>6</b>	<b>Pin Configuration and Functions .....</b>	<b>3</b>	9.3	Feature Description.....	35
<b>7</b>	<b>Specifications.....</b>	<b>4</b>	9.4	Device Functional Modes.....	36
7.1	Absolute Maximum Ratings .....	4	<b>10</b>	<b>Application and Implementation.....</b>	<b>44</b>
7.2	ESD Ratings.....	4	10.1	Application Information.....	44
7.3	Recommended Operating Conditions.....	4	10.2	Typical Applications .....	44
7.4	Thermal Information .....	4	<b>11</b>	<b>Power-Supply Recommendations .....</b>	<b>49</b>
7.5	Electrical Characteristics: (Vs+) – Vs– = 5 V.....	5	<b>12</b>	<b>Layout.....</b>	<b>49</b>
7.6	Electrical Characteristics: (Vs+) – Vs– = 3 V.....	8	12.1	Layout Guidelines .....	49
7.7	Typical Characteristics .....	11	12.2	Layout Example .....	50
<b>8</b>	<b>Parameter Measurement Information .....</b>	<b>21</b>	<b>13</b>	<b>器件和文档支持 .....</b>	<b>51</b>
8.1	Example Characterization Circuits.....	21	13.1	器件支持 .....	51
8.2	Frequency-Response Shape Factors .....	23	13.2	文档支持 .....	51
8.3	I/O Headroom Considerations .....	26	13.3	社区资源 .....	51
8.4	Output DC Error and Drift Calculations and the Effect of Resistor Imbalances .....	28	13.4	商标 .....	51
8.5	Noise Analysis.....	30	13.5	静电放电警告.....	52
8.6	Factors Influencing Harmonic Distortion .....	31	13.6	Glossary .....	52
			<b>14</b>	<b>机械、封装和可订购信息 .....</b>	<b>52</b>

## 4 修订历史记录

注：之前版本的页码可能与当前版本有所不同。

### Changes from Original (November 2015) to Revision A

Page

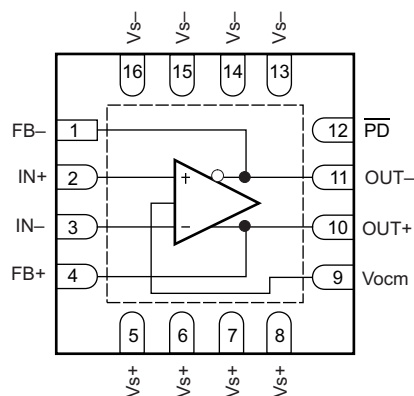
• 已更改 器件状态，从产品预览更改为生产数据.....	1
------------------------------	---

## 5 Device Family Comparison

DEVICE	BW (MHz)	I <sub>Q</sub> (mA)	THD (dBc) 2 V <sub>PP</sub> AT 100 kHz	INPUT NOISE (nV/√Hz)	RAIL-TO-RAIL
THS4531A	36	0.25	-104	10	Out
THS4521	145	0.95	-102	4.6	Out
THS4520	620	14.2	-107	2	Out

## 6 Pin Configuration and Functions

**RGT Package**  
16-Pin VQFN With Exposed Thermal Pad  
Top View



**Pin Functions**

PIN		I/O	DESCRIPTION
NAME	NO. <sup>(1)</sup>		
FB+	4	O	Noninverted (positive) output feedback
FB-	1	O	Inverted (negative) output feedback
IN+	2	I	Noninverting (positive) amplifier input
IN-	3	I	Inverting (negative) amplifier input
NC	—	—	No internal connection
OUT+	10	O	Noninverted (positive) amplifier output
OUT-	11	O	Inverted (negative) amplifier output
$\overline{\text{PD}}$	12	I	Power down. $\overline{\text{PD}}$ = logic low = power off mode; $\overline{\text{PD}}$ = logic high = normal operation.
Vocm	9	I	Common-mode voltage input
Vs+	5	I	Positive power-supply input
	6		
	7		
	8		
Vs-	13	I	Negative power-supply input
	14		
	15		
	16		

(1) Solder the exposed thermal pad to a heat-spreading power or ground plane. This pad is electrically isolated from the die, but must be connected to a power or ground plane and not floated.

## 7 Specifications

### 7.1 Absolute Maximum Ratings

 over operating free-air temperature range (unless otherwise noted)<sup>(1)</sup>

		MIN	MAX	UNIT
Voltage	Supply voltage, (Vs+) – Vs–		5.5	V
	Input/output voltage range	(Vs–) – 0.5	(Vs+) + 0.5	V
	Differential input voltage		±1	V
Current	Continuous input current		±20	mA
	Continuous output current		±80	mA
	Continuous power dissipation	See <a href="#">Thermal Information</a> table and <a href="#">Thermal Analysis</a> section		
Temperature	Maximum junction temperature		150	°C
	Operating free-air temperature range	–40	125	°C
	Storage temperature, T <sub>stg</sub>	–65	150	°C

- (1) Stresses beyond those listed under *Absolute Maximum Ratings* may cause permanent damage to the device. These are stress ratings only, which do not imply functional operation of the device at these or any other conditions beyond those indicated under *Recommended Operating Conditions*. Exposure to absolute-maximum-rated conditions for extended periods may affect device reliability.

### 7.2 ESD Ratings

		VALUE	UNIT
V <sub>(ESD)</sub>	Electrostatic discharge	Human-body model (HBM), per AEC Q100-002 <sup>(1)</sup>	±2000
		Charged-device model (CDM), per AEC Q100-011	±1000

- (1) AEC Q100-002 indicates that HBM stressing shall be in accordance with the ANSI/ESDA/JEDEC JS-001 specification.

### 7.3 Recommended Operating Conditions

over operating free-air temperature range (unless otherwise noted)

		MIN	NOM	MAX	UNIT
V <sub>s+</sub>	Single-supply voltage	2.7	5	5.4	V
T <sub>A</sub>	Ambient temperature	–40	25	125	°C

### 7.4 Thermal Information

THERMAL METRIC <sup>(1)</sup>		THS4541-Q1	UNIT
		RGT (VQFN)	
		16 PINS	
R <sub>θJA</sub>	Junction-to-ambient thermal resistance	52	°C/W
R <sub>θJC(top)</sub>	Junction-to-case (top) thermal resistance	69	°C/W
R <sub>θJB</sub>	Junction-to-board thermal resistance	25	°C/W
Ψ <sub>JT</sub>	Junction-to-top characterization parameter	2.7	°C/W
Ψ <sub>JB</sub>	Junction-to-board characterization parameter	25	°C/W
R <sub>θJC(bot)</sub>	Junction-to-case (bottom) thermal resistance	9.3	°C/W

- (1) For more information about traditional and new thermal metrics, see the *Semiconductor and IC Package Thermal Metrics* application report, [SPRA953](#).

## 7.5 Electrical Characteristics: (Vs+) – Vs– = 5 V

At  $T_A \approx 25^\circ\text{C}$ ,  $V_{ocm} = \text{open}$  (defaults midsupply),  $V_{OUT} = 2 V_{PP}$ ,  $R_f = 402 \Omega$ ,  $R_{load} = 499 \Omega$ , 50- $\Omega$  input match,  $G = 2 \text{ V/V}$ , single-ended input, differential output, and  $\overline{PD} = +Vs$ , unless otherwise noted. See [Figure 61](#) for an AC-coupled gain of a 2-V/V test circuit, and [Figure 63](#) for a DC-coupled gain of a 2-V/V test circuit.

PARAMETER	TEST CONDITIONS	MIN	TYP	MAX	UNIT	TEST LEVEL <sup>(1)</sup>
<b>AC PERFORMANCE</b>						
Small-signal bandwidth	$V_{out} = 100 \text{ mV}_{PP}$ , $G = 1$		620		MHz	C
	$V_{out} = 100 \text{ mV}_{PP}$ , $G = 2$ (see <a href="#">Figure 61</a> )		500		MHz	C
	$V_{out} = 100 \text{ mV}_{PP}$ , $G = 5$		210		MHz	C
	$V_{out} = 100 \text{ mV}_{PP}$ , $G = 10$		125		MHz	C
Gain-bandwidth product	$V_{out} = 100 \text{ mV}_{PP}$ , $G = 20$		850		MHz	C
Large-signal bandwidth	$V_{out} = 2 V_{PP}$ , $G = 2$ (see <a href="#">Figure 61</a> )		340		MHz	C
Bandwidth for 0.1-dB flatness	$V_{out} = 2 V_{PP}$ , $G = 2$ (see <a href="#">Figure 61</a> )		100		MHz	C
Slew rate <sup>(2)</sup>	$V_{out} = 2 V_{PP}$ , FPBW (see <a href="#">Figure 61</a> )		1500		V/ $\mu\text{s}$	C
Rise/fall time	$V_{out} = 2\text{-V}$ step, $G = 2$ input $\leq 0.3 \text{ ns}$ $t_r$ (see <a href="#">Figure 63</a> )		1.4		ns	C
Settling time	To 1%, $V_{out} = 2\text{-V}$ step, $t_r = 2 \text{ ns}$ , $G = 2$ (see <a href="#">Figure 63</a> )		4		ns	C
	To 0.1%, $V_{out} = 2\text{-V}$ step, $t_r = 2 \text{ ns}$ , $G = 2$ (see <a href="#">Figure 63</a> )		8		ns	C
Overshoot and undershoot	$V_{out} = 2\text{-V}$ step $G = 2$ , input $\leq 0.3 \text{ ns}$ $t_r$ (see <a href="#">Figure 63</a> )		10%			C
100-kHz harmonic distortion	$V_{out} = 2 V_{PP}$ , $G = 2$ , HD2 (see <a href="#">Figure 61</a> )		-140		dBc	C
	$V_{out} = 2 V_{PP}$ , $G = 2$ , HD3 (see <a href="#">Figure 61</a> )		-140		dBc	C
10-MHz harmonic distortion	$V_{out} = 2 V_{PP}$ , $G = 2$ , HD2 (see <a href="#">Figure 61</a> )		-95		dBc	C
	$V_{out} = 2 V_{PP}$ , $G = 2$ , HD3 (see <a href="#">Figure 61</a> )		-90		dBc	C
2nd-order intermodulation distortion	$f = 10 \text{ MHz}$ , 100-kHz tone spacing, $V_{out}$ envelope = $2 V_{PP}$ (1 $V_{PP}$ per tone) (see <a href="#">Figure 61</a> )		-90		dBc	C
3rd-order intermodulation distortion	$f = 10 \text{ MHz}$ , 100-kHz tone spacing, $V_{out}$ envelope = $2 V_{PP}$ (1 $V_{PP}$ per tone) (see <a href="#">Figure 61</a> )		-85		dBc	C
Input voltage noise	$f > 100 \text{ kHz}$		2.2		nV/ $\sqrt{\text{Hz}}$	C
Input current noise	$f > 1 \text{ MHz}$		1.9		pA/ $\sqrt{\text{Hz}}$	C
Overdrive recovery time	2x output overdrive, either polarity		20		ns	C
Closed-loop output impedance	$f = 10 \text{ MHz}$ (differential)		0.1		$\Omega$	C

- (1) Test levels (all values set by characterization and simulation): (A) 100% tested at  $T_A \approx 25^\circ\text{C}$ ; over temperature limits by characterization and simulation. (B) Not tested in production; limits set by characterization and simulation. (C) Typical value only for information.
- (2) This slew rate is the average of the rising and falling time estimated from the large-signal bandwidth as:  $(V_P / \sqrt{2}) \cdot 2\pi \cdot f_{-3dB}$ .

**Electrical Characteristics: (Vs+) – Vs– = 5 V (continued)**

At  $T_A \approx 25^\circ\text{C}$ ,  $V_{ocm} = \text{open}$  (defaults midsupply),  $V_{OUT} = 2 V_{PP}$ ,  $R_f = 402 \Omega$ ,  $R_{load} = 499 \Omega$ , 50- $\Omega$  input match,  $G = 2 \text{ V/V}$ , single-ended input, differential output, and  $\overline{PD} = +V_s$ , unless otherwise noted. See [Figure 61](#) for an AC-coupled gain of a 2-V/V test circuit, and [Figure 63](#) for a DC-coupled gain of a 2-V/V test circuit.

PARAMETER	TEST CONDITIONS	MIN	TYP	MAX	UNIT	TEST LEVEL <sup>(1)</sup>
<b>DC PERFORMANCE</b>						
$A_{OL}$ Open-loop voltage gain		100	119		dB	A
Input-referred offset voltage	$T_A = 25^\circ\text{C}$	-450	$\pm 100$	450	$\mu\text{V}$	A
	$T_A = 0^\circ\text{C}$ to $70^\circ\text{C}$	-600	$\pm 100$	600	$\mu\text{V}$	B
	$T_A = -40^\circ\text{C}$ to $+85^\circ\text{C}$	-700	$\pm 100$	700	$\mu\text{V}$	B
	$T_A = -40^\circ\text{C}$ to $+125^\circ\text{C}$	-850	$\pm 100$	850	$\mu\text{V}$	B
Input offset voltage drift <sup>(3)</sup>	$T_A = -40^\circ\text{C}$ to $+125^\circ\text{C}$	-2.4	$\pm 0.5$	2.4	$\mu\text{V}/^\circ\text{C}$	B
Input bias current (positive out of node)	$T_A = 25^\circ\text{C}$	4.3	10	13	$\mu\text{A}$	A
	$T_A = 0^\circ\text{C}$ to $70^\circ\text{C}$	4.3	11	13.5	$\mu\text{A}$	B
	$T_A = -40^\circ\text{C}$ to $+85^\circ\text{C}$	4.3	12	14	$\mu\text{A}$	B
	$T_A = -40^\circ\text{C}$ to $+125^\circ\text{C}$	4.3	12	14.5	$\mu\text{A}$	B
Input bias current drift <sup>(3)</sup>	$T_A = -40^\circ\text{C}$ to $+125^\circ\text{C}$		6	15	$\text{nA}/^\circ\text{C}$	B
Input offset current	$T_A = 25^\circ\text{C}$	-500	$\pm 150$	500	$\text{nA}$	A
	$T_A = 0^\circ\text{C}$ to $70^\circ\text{C}$	-550	$\pm 150$	550	$\text{nA}$	B
	$T_A = -40^\circ\text{C}$ to $+85^\circ\text{C}$	-580	$\pm 150$	580	$\text{nA}$	B
	$T_A = -40^\circ\text{C}$ to $+125^\circ\text{C}$	-620	$\pm 150$	620	$\text{nA}$	B
Input offset current drift <sup>(3)</sup>	$T_A = -40^\circ\text{C}$ to $+125^\circ\text{C}$	-1.3	$\pm 0.3$	1.3	$\text{nA}/^\circ\text{C}$	B
<b>INPUT</b>						
Common-mode input low	< 3-dB degradation in CMRR from midsupply	$T_A = 25^\circ\text{C}$	$(V_{s-}) - 0.2$	$(V_{s-}) - 0.1$	V	A
		$T_A = -40^\circ\text{C}$ to $+125^\circ\text{C}$	$(V_{s-}) - 0.1$	$V_{s-}$	V	B
Common-mode input high	< 3-dB degradation in CMRR from midsupply	$T_A = 25^\circ\text{C}$	$(V_{s+}) - 1.3$	$(V_{s+}) - 1.2$	V	A
		$T_A = -40^\circ\text{C}$ to $+125^\circ\text{C}$	$(V_{s+}) - 1.3$		V	B
Common-mode rejection ratio	Input pins at $((V_{s+}) - V_{s-}) / 2$	85	100		dB	A
Input impedance differential mode	Input pins at $((V_{s+}) - V_{s-}) / 2$		$110 \parallel 0.85$		$\text{k}\Omega \parallel \text{pF}$	C
<b>OUTPUT</b>						
Output voltage low	$T_A = 25^\circ\text{C}$		$(V_{s-}) + 0.2$	$(V_{s-}) + 0.25$	V	A
	$T_A = -40^\circ\text{C}$ to $+125^\circ\text{C}$		$(V_{s-}) + 0.2$	$(V_{s-}) + 0.25$	V	B
Output voltage high	$T_A = 25^\circ\text{C}$	$(V_{s+}) - 0.25$	$(V_{s+}) - 0.2$		V	A
	$T_A = -40^\circ\text{C}$ to $+125^\circ\text{C}$	$(V_{s+}) - 0.25$	$(V_{s+}) - 0.2$		V	B
Output current drive	$T_A = 25^\circ\text{C}$	$\pm 75$	$\pm 100$		$\text{mA}$	A
	$T_A = -40^\circ\text{C}$ to $+125^\circ\text{C}$	$\pm 75$			$\text{mA}$	B

(3) Input offset voltage drift, input bias current drift, input offset current drift, and  $V_{ocm}$  drift are average values calculated by taking data at the at the maximum-range ambient-temperature end points, computing the difference, and dividing by the temperature range. Maximum drift set by distribution of a large sampling of devices. Drift is not specified by test or QA sample test.

**Electrical Characteristics: (Vs+) – Vs– = 5 V (continued)**

At  $T_A \approx 25^\circ\text{C}$ , Vocm = open (defaults midsupply),  $V_{OUT} = 2 V_{PP}$ ,  $R_f = 402 \Omega$ ,  $R_{load} = 499 \Omega$ , 50- $\Omega$  input match,  $G = 2 \text{ V/V}$ , single-ended input, differential output, and  $\overline{PD} = +Vs$ , unless otherwise noted. See Figure 61 for an AC-coupled gain of a 2-V/V test circuit, and Figure 63 for a DC-coupled gain of a 2-V/V test circuit.

PARAMETER	TEST CONDITIONS	MIN	TYP	MAX	UNIT	TEST LEVEL <sup>(1)</sup>	
<b>POWER SUPPLY</b>							
Specified operating voltage		2.7	5	5.4	V	B	
Quiescent operating current	$T_A = 25^\circ\text{C}$ , $V_{S+} = 5 \text{ V}$	9.7	10.1	10.5	mA	A	
	$T_A = -40^\circ\text{C}$ to $+125^\circ\text{C}$	9.4	10.1	11	mA	B	
$\pm\text{PSR}$ R Power-supply rejection ratio	Either supply pin to differential Vout	85	100		dB	A	
<b>POWER DOWN</b>							
Enable voltage threshold		$(V_{S-}) + 1.7$			V	A	
Disable voltage threshold		$(V_{S-}) + 0.7$			V	A	
Disable pin bias current	$\overline{PD} = V_{S-} \rightarrow V_{S+}$		20	50	nA	B	
Power-down quiescent current	$\overline{PD} = (V_{S-}) + 0.7 \text{ V}$		6	30	$\mu\text{A}$	A	
	$\overline{PD} = V_{S-}$		2	8	$\mu\text{A}$	A	
Turn-on time delay	Time from $\overline{PD} = \text{low}$ to $V_{out} = 90\%$ of final value		100		ns	C	
Turn-off time delay	Time from $\overline{PD} = \text{low}$ to $V_{out} = 10\%$ of final value		60		ns	C	
<b>OUTPUT COMMON-MODE VOLTAGE CONTROL<sup>(4)</sup></b>							
Small-signal bandwidth	Vocm = 100 mV <sub>PP</sub>		150		MHz	C	
Slew rate <sup>(2)</sup>	Vocm = 2-V step		400		V/ $\mu\text{s}$	C	
Gain		0.975	0.982	0.995	V/V	A	
Input bias current	Considered positive out of node	-0.7	0.1	0.7	$\mu\text{A}$	A	
Input impedance	Vocm input driven to $((V_{S+}) - V_{S-}) / 2$		47    1.2		k $\Omega$    pF	C	
Default voltage offset from $((V_{S+}) - V_{S-}) / 2$	Vocm pin open	-40	$\pm 8$	40	mV	A	
CM Vos Common-mode offset voltage	Vocm input driven to $((V_{S+}) - V_{S-}) / 2$	$T_A = 25^\circ\text{C}$	-5	$\pm 2$	5	mV	A
		$T_A = 0^\circ\text{C}$ to $70^\circ\text{C}$	-6	$\pm 2$	5.8	mV	B
		$T_A = -40^\circ\text{C}$ to $+85^\circ\text{C}$	-6.2	$\pm 2$	6.2	mV	B
		$T_A = -40^\circ\text{C}$ to $+125^\circ\text{C}$	-7	$\pm 2$	7.08	mV	B
Common-mode offset voltage drift <sup>(3)</sup>	Vocm input driven to $((V_{S+}) - V_{S-}) / 2$	-20	$\pm 4$	+20	$\mu\text{V}/^\circ\text{C}$	B	
Common-mode loop supply headroom to negative supply	< $\pm 12\text{-mV}$ shift from midsupply CM Vos	$T_A = 25^\circ\text{C}$	0.88			V	A
		$T_A = 0^\circ\text{C}$ to $70^\circ\text{C}$	0.91			V	B
		$T_A = -40^\circ\text{C}$ to $+85^\circ\text{C}$	0.94			V	B
		$T_A = -40^\circ\text{C}$ to $+125^\circ\text{C}$	0.94			V	B
Common-mode loop supply headroom to positive supply	< $\pm 12\text{-mV}$ shift from midsupply CM Vos	$T_A = 25^\circ\text{C}$	1.1			V	A
		$T_A = 0^\circ\text{C}$ to $70^\circ\text{C}$	1.15			V	B
		$T_A = -40^\circ\text{C}$ to $+85^\circ\text{C}$	1.2			V	B
		$T_A = -40^\circ\text{C}$ to $+125^\circ\text{C}$	1.2			V	B

(4) Specifications are from the input Vocm pin to the differential output average voltage.

## 7.6 Electrical Characteristics: (Vs+) – Vs– = 3 V

At  $T_A \approx 25^\circ\text{C}$ ,  $V_{ocm} = \text{open}$  (defaults midsupply),  $V_{OUT} = 2 V_{PP}$ ,  $R_f = 402 \Omega$ ,  $R_{load} = 499 \Omega$ , 50- $\Omega$  input match,  $G = 2 \text{ V/V}$ , single-ended input, differential output, and  $\overline{PD} = +Vs$ , unless otherwise noted. See [Figure 61](#) for an AC-coupled gain of a 2-V/V test circuit, and [Figure 63](#) for a DC-coupled gain of a 2-V/V test circuit.

PARAMETER	TEST CONDITIONS	MIN	TYP	MAX	UNIT	TEST LEVEL <sup>(1)</sup>
<b>AC PERFORMANCE</b>						
Small-signal bandwidth	$V_{out} = 100 \text{ mV}_{PP}$ , $G = 1$		600		MHz	C
	$V_{out} = 100 \text{ mV}_{PP}$ , $G = 2$ (see <a href="#">Figure 61</a> )		500		MHz	C
	$V_{out} = 100 \text{ mV}_{PP}$ , $G = 5$		200		MHz	C
	$V_{out} = 100 \text{ mV}_{PP}$ , $G = 10$		120		MHz	C
Gain-bandwidth product	$V_{out} = 100 \text{ mV}_{PP}$ , $G = 20$		850		MHz	C
Large-signal bandwidth	$V_{out} = 2 V_{PP}$ , $G = 2$ (see <a href="#">Figure 61</a> )		300		MHz	C
Bandwidth for 0.1-dB flatness	$V_{out} = 2 V_{PP}$ , $G = 2$ (see <a href="#">Figure 61</a> )		90		MHz	C
Slew rate <sup>(2)</sup>	$V_{out} = 2\text{-V}$ step, FPBW (see <a href="#">Figure 61</a> )		1300		V/ $\mu\text{s}$	C
Rise/fall time	$V_{out} = 2\text{-V}$ step, $G = 2$ , input $\leq 0.3 \text{ ns } t_r$ (see <a href="#">Figure 63</a> )		1.8		ns	C
Settling time	To 1%, $V_{out} = 2\text{-V}$ step, $t_r = 2 \text{ ns}$ , $G = 2$ (see <a href="#">Figure 63</a> )		5		ns	C
	To 0.1%, $V_{out} = 2\text{-V}$ step, $t_r = 2 \text{ ns}$ , $G = 2$ (see <a href="#">Figure 63</a> )		8		ns	C
Overshoot and undershoot	$V_{out} = 2\text{-V}$ step $G = 2$ , input $\leq 0.3 \text{ ns } t_r$ (see <a href="#">Figure 63</a> )		10%			C
100-kHz harmonic distortion	$V_{out} = 2 V_{PP}$ , $G = 2$ , HD2 (see <a href="#">Figure 61</a> )		–140		dBc	C
	$V_{out} = 2 V_{PP}$ , $G = 2$ , HD3 (see <a href="#">Figure 61</a> )		–140		dBc	C
10-MHz harmonic distortion	$V_{out} = 2 V_{PP}$ , $G = 2$ , HD2 (see <a href="#">Figure 61</a> )		–92		dBc	C
	$V_{out} = 2 V_{PP}$ , $G = 2$ , HD3 (see <a href="#">Figure 61</a> )		–89		dBc	C
2nd-order intermodulation distortion	$f = 10 \text{ MHz}$ , 100-kHz tone spacing, $V_{out}$ envelope = $2 V_{PP}$ (1 $V_{PP}$ per tone) (see <a href="#">Figure 61</a> )		–89		dBc	C
3rd-order intermodulation distortion	$f = 10 \text{ MHz}$ , 100-kHz tone spacing, $V_{out}$ envelope = $2 V_{PP}$ (1 $V_{PP}$ per tone) (see <a href="#">Figure 61</a> )		–87		dBc	C
Input voltage noise	$f > 100 \text{ kHz}$		2.2		nV/ $\sqrt{\text{Hz}}$	C
Input current noise	$f > 1 \text{ MHz}$		1.9		pA/ $\sqrt{\text{Hz}}$	C
Overdrive recovery time	2X output overdrive, either polarity		20		ns	C
Closed-loop output impedance	$f = 10 \text{ MHz}$ (differential)		0.1		$\Omega$	C

- (1) Test levels (all values set by characterization and simulation): (A) 100% tested at  $T_A \approx 25^\circ\text{C}$ ; over temperature limits by characterization and simulation. (B) Not tested in production; limits set by characterization and simulation. (C) Typical value only for information.
- (2) This slew rate is the average of the rising and falling time estimated from the large-signal bandwidth as:  $(V_P / \sqrt{2}) \cdot 2\pi \cdot f_{-3dB}$ .



**Electrical Characteristics: (Vs+) – Vs– = 3 V (continued)**

At  $T_A \approx 25^\circ\text{C}$ ,  $V_{ocm} = \text{open}$  (defaults midsupply),  $V_{OUT} = 2 V_{PP}$ ,  $R_f = 402 \Omega$ ,  $R_{load} = 499 \Omega$ , 50- $\Omega$  input match,  $G = 2 \text{ V/V}$ , single-ended input, differential output, and  $\overline{PD} = +V_s$ , unless otherwise noted. See [Figure 61](#) for an AC-coupled gain of a 2-V/V test circuit, and [Figure 63](#) for a DC-coupled gain of a 2-V/V test circuit.

PARAMETER	TEST CONDITIONS	MIN	TYP	MAX	UNIT	TEST LEVEL <sup>(1)</sup>
<b>DC PERFORMANCE</b>						
$A_{OL}$ Open-loop voltage gain		100	119		dB	A
Input-referred offset voltage	$T_A = 25^\circ\text{C}$	-450	$\pm 100$	400	$\mu\text{V}$	A
	$T_A = 0^\circ\text{C}$ to $70^\circ\text{C}$	-600	$\pm 100$	600	$\mu\text{V}$	B
	$T_A = -40^\circ\text{C}$ to $+85^\circ\text{C}$	-700	$\pm 100$	700	$\mu\text{V}$	B
	$T_A = -40^\circ\text{C}$ to $+125^\circ\text{C}$	-850	$\pm 100$	850	$\mu\text{V}$	B
Input offset voltage drift <sup>(3)</sup>	$T_A = -40^\circ\text{C}$ to $+125^\circ\text{C}$	-2.4	$\pm 0.5$	2.4	$\mu\text{V}/^\circ\text{C}$	B
Input bias current (positive out of node)	$T_A = 25^\circ\text{C}$	4.1	9	12	$\mu\text{A}$	A
	$T_A = 0^\circ\text{C}$ to $70^\circ\text{C}$	4.1	9	12.5	$\mu\text{A}$	B
	$T_A = -40^\circ\text{C}$ to $+85^\circ\text{C}$	4.1	9	13	$\mu\text{A}$	B
	$T_A = -40^\circ\text{C}$ to $+125^\circ\text{C}$	4.1	9	13.5	$\mu\text{A}$	B
Input bias current drift <sup>(3)</sup>	$T_A = -40^\circ\text{C}$ to $+125^\circ\text{C}$		-5	15	$\text{nA}/^\circ\text{C}$	B
Input offset current	$T_A = 25^\circ\text{C}$	-500	$\pm 150$	500	nA	A
	$T_A = 0^\circ\text{C}$ to $70^\circ\text{C}$	-550	$\pm 150$	550	nA	B
	$T_A = -40^\circ\text{C}$ to $+85^\circ\text{C}$	-580	$\pm 150$	580	nA	B
	$T_A = -40^\circ\text{C}$ to $+125^\circ\text{C}$	-620	$\pm 150$	620	nA	B
Input offset current drift <sup>(3)</sup>	$T_A = -40^\circ\text{C}$ to $+125^\circ\text{C}$	-1.3	$\pm 0.3$	1.3	$\text{nA}/^\circ\text{C}$	B
<b>INPUT</b>						
Common-mode input low	< 3-dB degradation in CMRR from midsupply	$T_A = 25^\circ\text{C}$	$(V_{s-}) - 0.2$	$(V_{s-}) - 0.1$	V	A
		$T_A = -40^\circ\text{C}$ to $+125^\circ\text{C}$	$(V_{s-}) - 0.1$	$V_{s-}$	V	B
Common-mode input high	< 3-dB degradation in CMRR from midsupply	$T_A = 25^\circ\text{C}$	$(V_{s+}) - 1.3$	$(V_{s+}) - 1.2$	V	A
		$T_A = -40^\circ\text{C}$ to $+125^\circ\text{C}$	$(V_{s+}) - 1.3$		V	B
Common-mode rejection ratio	Input pins at $((V_{s+}) - V_{s-}) / 2$	85	100		dB	A
Input impedance differential mode	Input pins at $((V_{s+}) - V_{s-}) / 2$		$110 \parallel 0.85$		$\text{k}\Omega \parallel \text{pF}$	C
<b>OUTPUT</b>						
Output voltage low	$T_A = 25^\circ\text{C}$		$(V_{s-}) + 0.2$	$(V_{s-}) + 0.25$	V	A
	$T_A = -40^\circ\text{C}$ to $+125^\circ\text{C}$		$(V_{s-}) + 0.2$	$(V_{s-}) + 0.25$	V	B
Output voltage high	$T_A = 25^\circ\text{C}$	$(V_{s+}) - 0.25$	$(V_{s+}) - 0.2$		V	A
	$T_A = -40^\circ\text{C}$ to $+125^\circ\text{C}$	$(V_{s+}) - 0.25$	$(V_{s+}) - 0.2$		V	B
Output current drive	$T_A = 25^\circ\text{C}$	$\pm 55$	$\pm 60$		mA	A
	$T_A = -40^\circ\text{C}$ to $+125^\circ\text{C}$	$\pm 55$			mA	B

(3) Input offset voltage drift, input bias current drift, input offset current drift, and  $V_{ocm}$  drift are average values calculated by taking data at the at the maximum-range ambient-temperature end points, computing the difference, and dividing by the temperature range. Maximum drift set by distribution of a large sampling of devices. Drift is not specified by test or QA sample test.

**Electrical Characteristics: (Vs+) – Vs– = 3 V (continued)**

At  $T_A \approx 25^\circ\text{C}$ ,  $V_{ocm} = \text{open}$  (defaults midsupply),  $V_{OUT} = 2 V_{PP}$ ,  $R_f = 402 \Omega$ ,  $R_{load} = 499 \Omega$ , 50- $\Omega$  input match,  $G = 2 \text{ V/V}$ , single-ended input, differential output, and  $\overline{PD} = +V_s$ , unless otherwise noted. See [Figure 61](#) for an AC-coupled gain of a 2-V/V test circuit, and [Figure 63](#) for a DC-coupled gain of a 2-V/V test circuit.

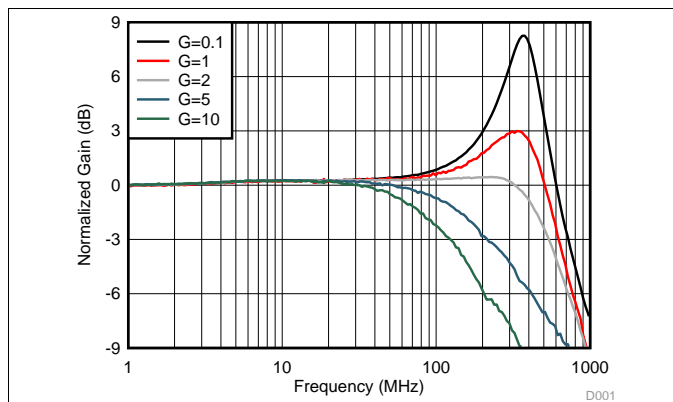
PARAMETER		TEST CONDITIONS	MIN	TYP	MAX	UNIT	TEST LEVEL <sup>(1)</sup>	
<b>POWER SUPPLY</b>								
Specified operating voltage			2.7	3	5.4	V	B	
Quiescent operating current		$T_A = 25^\circ\text{C}$ , $V_{s+} = 3\text{V}$	9.3	9.7	10.1	mA	A	
		$T_A = -40^\circ\text{C}$ to $+125^\circ\text{C}$	9	9.7	10.6	mA	B	
$\frac{\pm\text{PSR}}{R}$	Power-supply rejection ratio	Either supply pin to differential $V_{out}$	85	100		dB	A	
<b>POWER DOWN</b>								
Enable voltage threshold			$(V_{s-}) + 1.7$			V	A	
Disable voltage threshold			$(V_{s-}) + 0.7$			V	A	
Disable pin bias current		$\overline{PD} = V_{s-} \rightarrow V_{s+}$		20	50	nA	B	
Power-down quiescent current		$\overline{PD} = (V_{s-}) + 0.7 \text{ V}$		2	30	$\mu\text{A}$	A	
		$\overline{PD} = V_{s-}$		1.0	8.0	$\mu\text{A}$	A	
Turn-on time delay		Time from $\overline{PD} = \text{low}$ to $V_{out} = 90\%$ of final value		100		ns	C	
Turn-off time delay		Time from $\overline{PD} = \text{low}$ to $V_{out} = 10\%$ of final value		60		ns	C	
<b>OUTPUT COMMON-MODE VOLTAGE CONTROL<sup>(4)</sup></b>								
Small-signal bandwidth		$V_{ocm} = 100 \text{ mV}_{PP}$		140		MHz	C	
Slew rate <sup>(2)</sup>		$V_{ocm} = 1\text{-V}$ step		350		$\text{V}/\mu\text{s}$	C	
Gain			0.975	0.987	0.990	V/V	A	
Input bias current		Considered positive out of node	-0.7	0.1	0.7	$\mu\text{A}$	A	
Input impedance		$V_{ocm}$ input driven to $((V_{s+}) - (V_{s-})) / 2$		47    1.2		k $\Omega$    pF	C	
Default voltage offset from $((V_{s+}) - (V_{s-})) / 2$		$V_{ocm}$ pin open	-40	$\pm 10$	40	mV	A	
CM Vos	Common-mode offset voltage	$V_{ocm}$ input driven to $((V_{s+}) - (V_{s-})) / 2$	$T_A = 25^\circ\text{C}$	-5	$\pm 2$	5	mV	A
			$T_A = 0^\circ\text{C}$ to $70^\circ\text{C}$	-5.8	$\pm 2$	5.8	mV	B
			$T_A = -40^\circ\text{C}$ to $+85^\circ\text{C}$	-6.2	$\pm 2$	6.2	mV	B
			$T_A = -40^\circ\text{C}$ to $+125^\circ\text{C}$	-7	$\pm 2$	7	mV	B
Common-mode offset voltage drift <sup>(3)</sup>		$V_{ocm}$ input driven to $((V_{s+}) - (V_{s-})) / 2$	-20	$\pm 4$	20	$\mu\text{V}/^\circ\text{C}$	B	
Common-mode loop supply headroom to negative supply		< $\pm 12\text{-mV}$ shift from midsupply CM Vos	$T_A = 25^\circ\text{C}$	0.88		V	A	
			$T_A = 0^\circ\text{C}$ to $70^\circ\text{C}$	0.91		V	B	
			$T_A = -40^\circ\text{C}$ to $+85^\circ\text{C}$	0.94		V	B	
			$T_A = -40^\circ\text{C}$ to $+125^\circ\text{C}$	0.94		V	B	
Common-mode loop supply headroom to positive supply		< $\pm 12\text{-mV}$ shift from midsupply CM Vos	$T_A = 25^\circ\text{C}$	1.1		V	A	
			$T_A = 0^\circ\text{C}$ to $70^\circ\text{C}$	1.15		V	B	
			$T_A = -40^\circ\text{C}$ to $+85^\circ\text{C}$	1.2		V	B	
			$T_A = -40^\circ\text{C}$ to $+125^\circ\text{C}$	1.2		V	B	

(4) Specifications are from input  $V_{ocm}$  pin to differential output average voltage.

## 7.7 Typical Characteristics

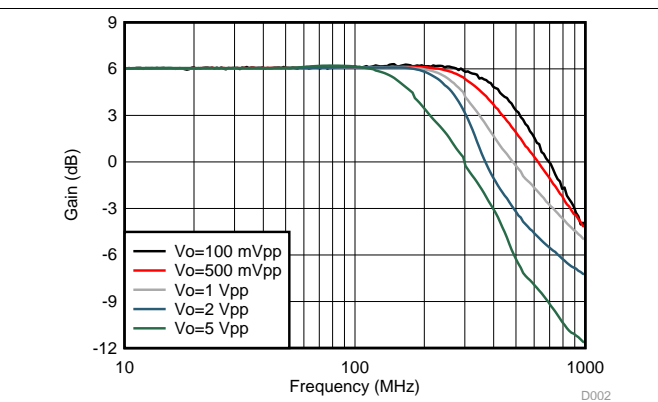
### 7.7.1 5-V Single Supply

At  $V_{S+} = 5\text{ V}$ ,  $V_{S-} = \text{GND}$ ,  $V_{ocm}$  is open, 50- $\Omega$  single-ended input to differential output, gain = 2 V/V,  $R_{load} = 500\ \Omega$ , and  $T_A \approx 25^\circ\text{C}$  (unless otherwise noted).



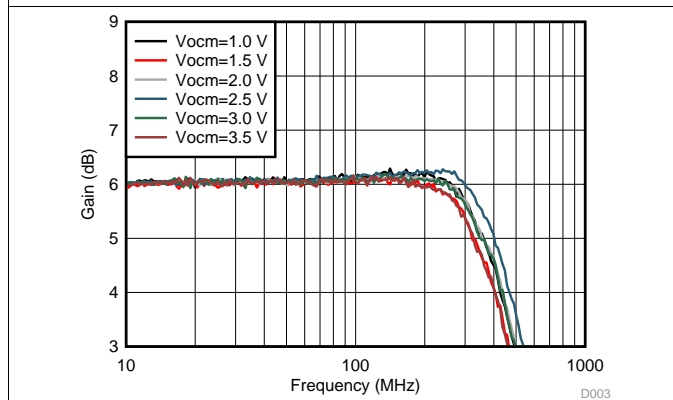
$R_f = 402\ \Omega$ , see Figure 61 and Table 6 for resistor values

Figure 1. Small-Signal Frequency Response vs Gain



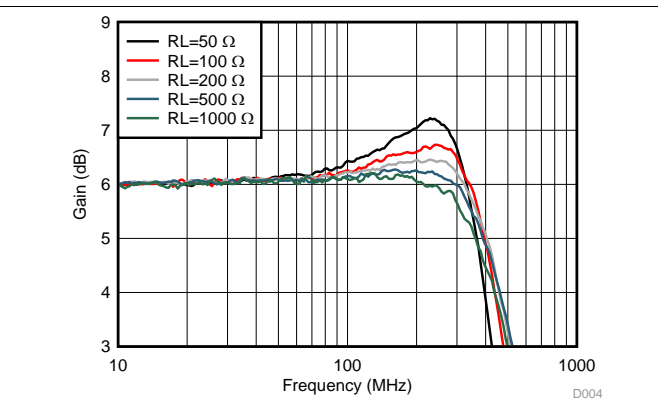
See Figure 61

Figure 2. Frequency Response vs  $V_{opp}$



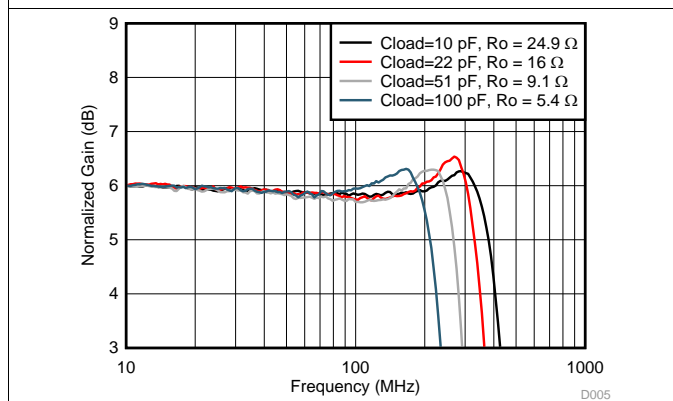
$V_{out} = 100\text{ mV}_{pp}$ , see Figure 61 with  $V_{ocm}$  adjusted

Figure 3. Small-Signal Frequency Response vs  $V_{ocm}$



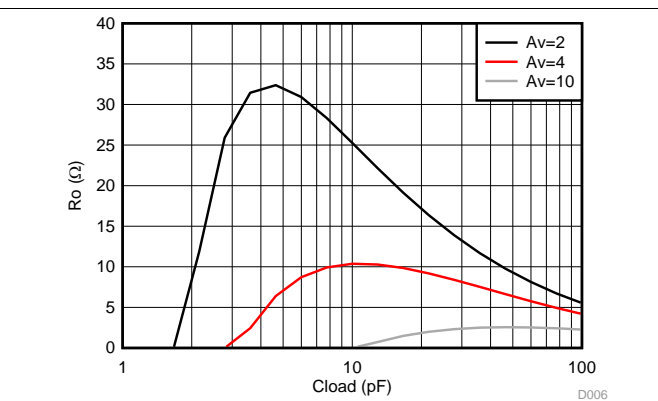
$V_{out} = 100\text{ mV}_{pp}$ , see Figure 61 with  $R_L$  adjusted

Figure 4. Small-Signal Frequency Response vs  $R_{load} (R_L)$



100  $\text{mV}_{pp}$  at load,  $A_v = 2$  (see Figure 71), two series  $R_o$  added at output before Cloud

Figure 5. Small-Signal Frequency Response vs Cloud

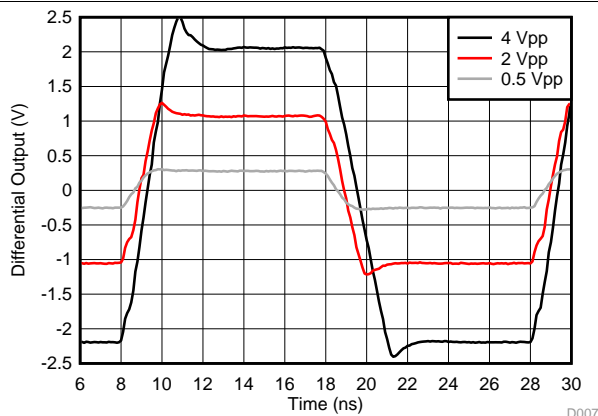


$R_o$  is two series output resistors to a differential Cloud in parallel with 500  $\Omega$ , see Figure 71 and Table 6

Figure 6. Recommended  $R_o$  vs Cloud

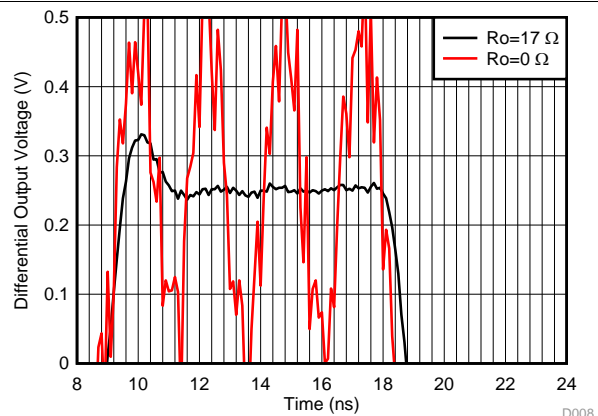
### 5-V Single Supply (continued)

At  $V_{s+} = 5\text{ V}$ ,  $V_{s-} = \text{GND}$ ,  $V_{ocm}$  is open, 50- $\Omega$  single-ended input to differential output, gain = 2 V/V,  $R_{load} = 500\ \Omega$ , and  $T_A \approx 25^\circ\text{C}$  (unless otherwise noted).



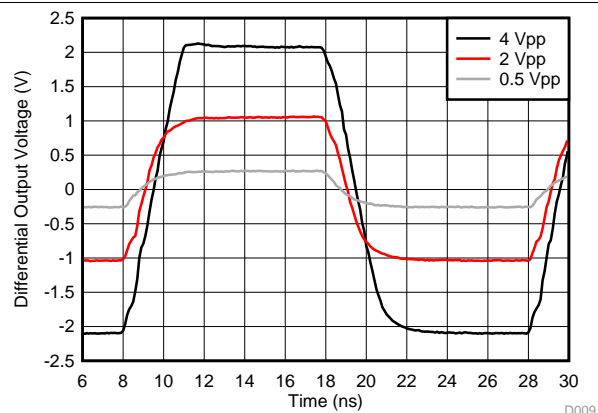
50-MHz input, 0.3-ns input edge rate, single-ended to differential output, DC coupled, see [Figure 63](#)

**Figure 7. Small- and Large-Signal Step Response**



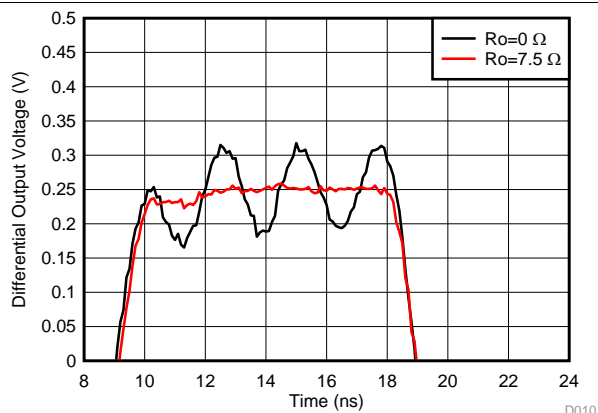
$A_v = 2$ , 500-mV<sub>PP</sub> output into 22-pF Load, see [Figure 71](#)

**Figure 8. Step Response into Capacitive Load**



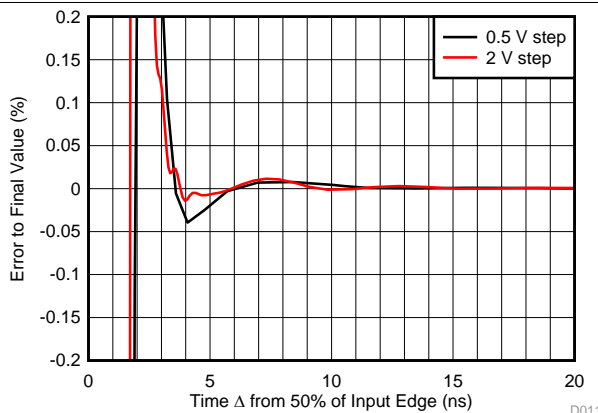
$G = 5\text{ V/V}$ , 50-MHz input, 0.3-ns input edge rate, single-ended input to differential output, see [Figure 63](#)

**Figure 9. Small- and Large-Signal Step Response**



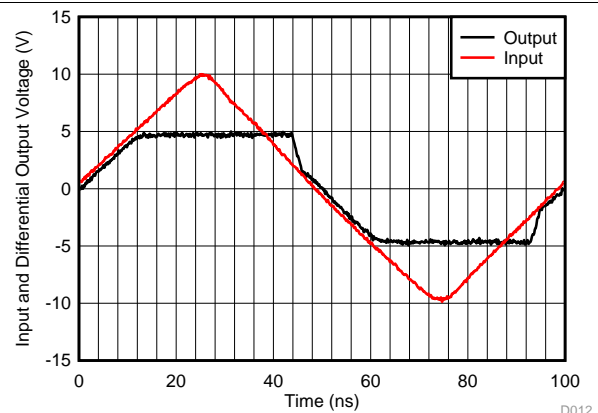
$G = 5\text{ V/V}$ , 500-mV<sub>PP</sub> output into 22-pF Load, see [Figure 71](#) and [Table 6](#)

**Figure 10. Step Response into Capacitive Load**



Simulated with 2-ns input transition time, see [Figure 63](#)

**Figure 11. Small- and Large-Signal Step Settling Time**



Single-ended to differential gain of 2 (see [Figure 63](#)), 2x input overdrive

**Figure 12. Overdrive Recovery Performance**

5-V Single Supply (continued)

At  $V_{s+} = 5\text{ V}$ ,  $V_{s-} = \text{GND}$ ,  $V_{ocm}$  is open,  $50\text{-}\Omega$  single-ended input to differential output, gain =  $2\text{ V/V}$ ,  $R_{load} = 500\ \Omega$ , and  $T_A \approx 25^\circ\text{C}$  (unless otherwise noted).

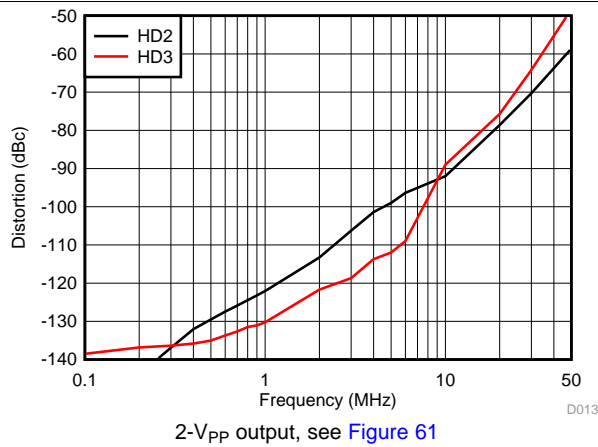


Figure 13. Harmonic Distortion Over Frequency

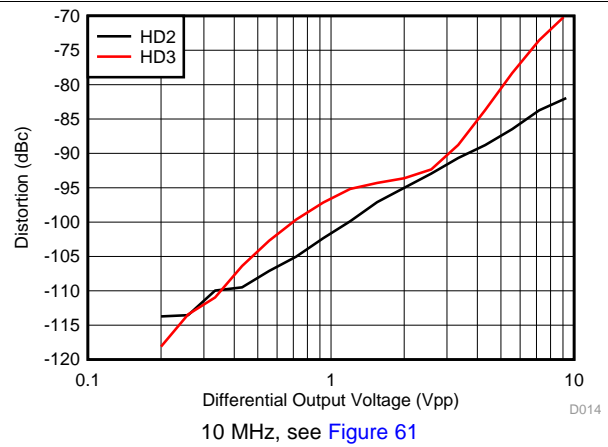


Figure 14. Harmonic Distortion vs Output Swing

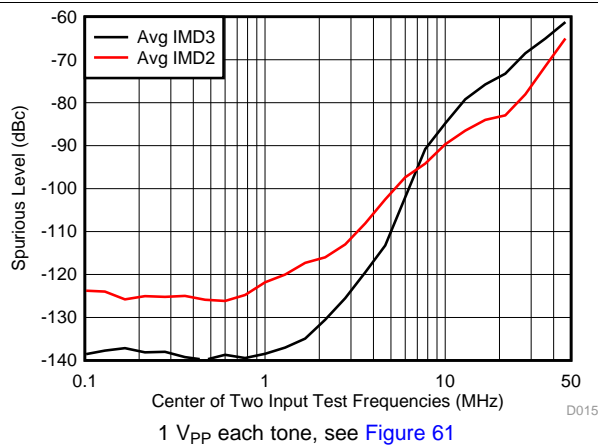


Figure 15. IMD2 and IM3 Over Frequency

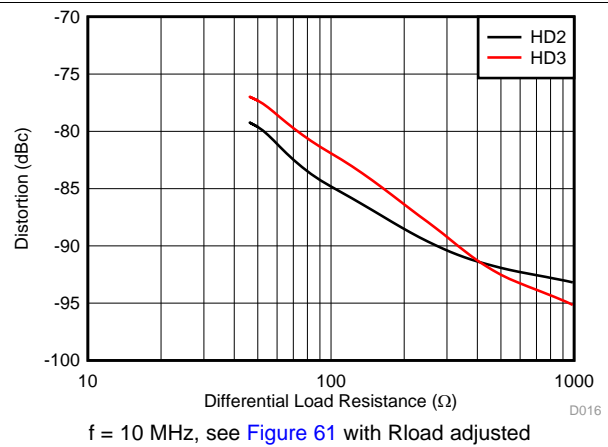


Figure 16. Harmonic Distortion vs Rload

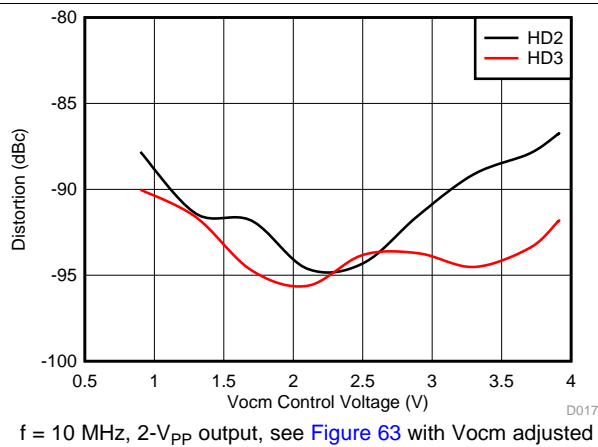


Figure 17. Harmonic Distortion vs Vocm

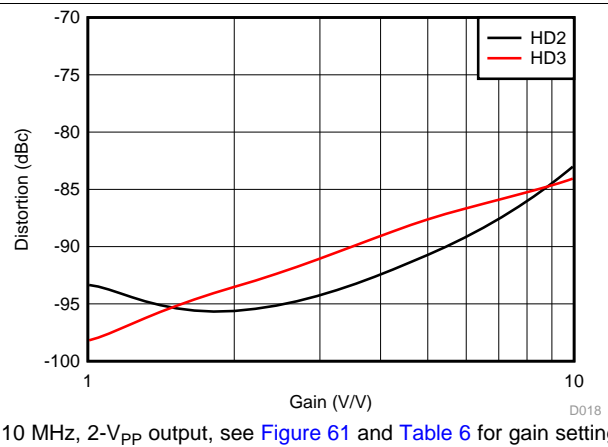
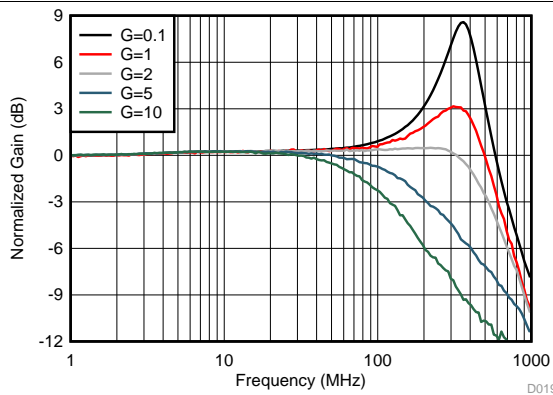


Figure 18. Harmonic Distortion vs Gain

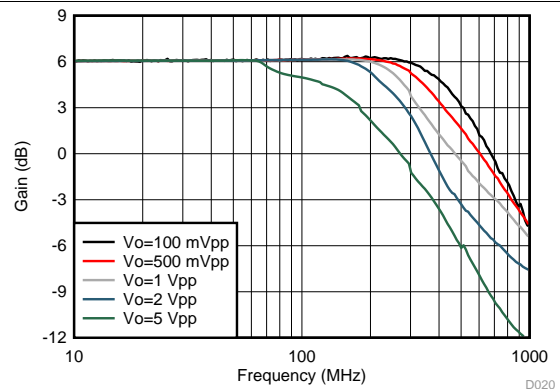
### 7.7.2 3-V Single Supply

At  $V_{s+} = 3\text{ V}$ ,  $V_{s-} = \text{GND}$ ,  $V_{ocm}$  is open,  $50\text{-}\Omega$  single-ended input to differential output, gain =  $2\text{ V/V}$ ,  $R_{load} = 500\ \Omega$ , and  $T_A \approx 25^\circ\text{C}$  (unless otherwise noted).



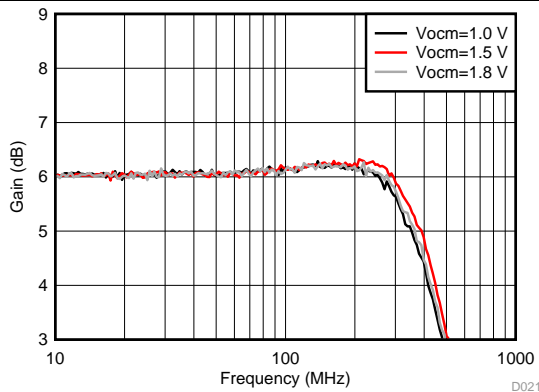
$R_f = 402\ \Omega$ ,  $V_{out} = 100\text{ mV}_{PP}$ , see Figure 61 and Table 6 for resistor values

**Figure 19. Small-Signal Frequency Response vs Gain**



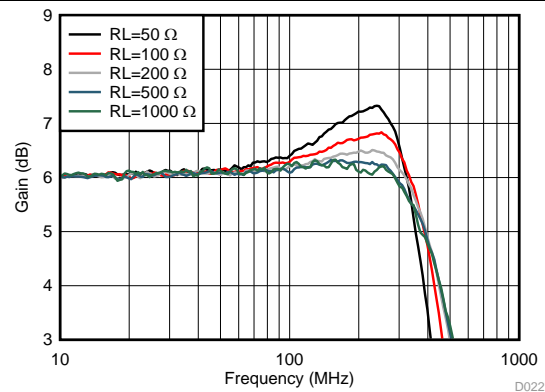
See Figure 61 with  $V_{CC} = 3\text{ V}$  and  $V_{ocm} = 1.5\text{ V}$

**Figure 20. Frequency Response vs Vopp**



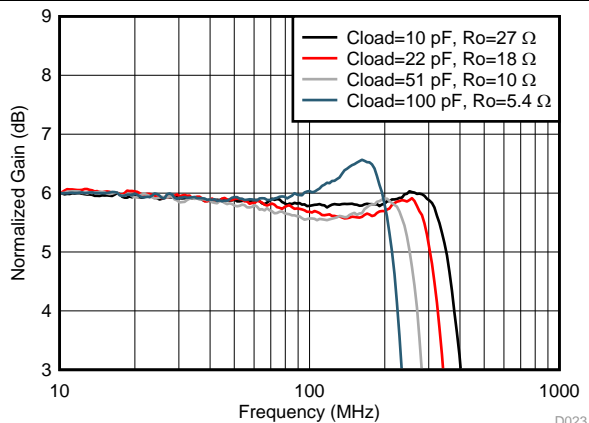
$V_{out} = 100\text{ mV}_{PP}$ , see Figure 61 with  $V_{ocm}$  adjusted

**Figure 21. Small-Signal Frequency response vs Vocm**



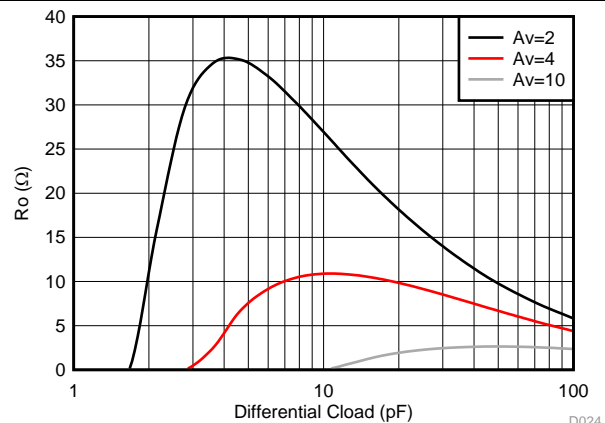
$V_{out} = 100\text{ mV}_{PP}$ , see Figure 61 with the  $R_{load}$  adjusted

**Figure 22. Small-Signal Frequency Response vs Rload**



$100\text{ mV}_{PP}$  at load,  $A_v = 2$  (see Figure 71), two series  $R_o$  added at output before Cload

**Figure 23. Small-Signal Frequency Response vs Cload**

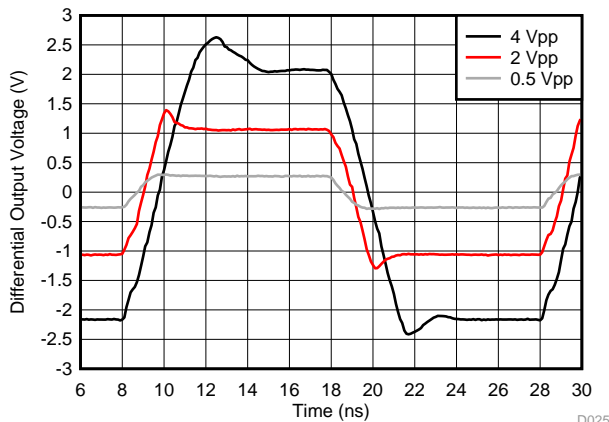


Two  $R_o$  at output to differential Cload in parallel with  $500\ \Omega$ , see Figure 71 and Table 6

**Figure 24. Recommended  $R_o$  vs Cload**

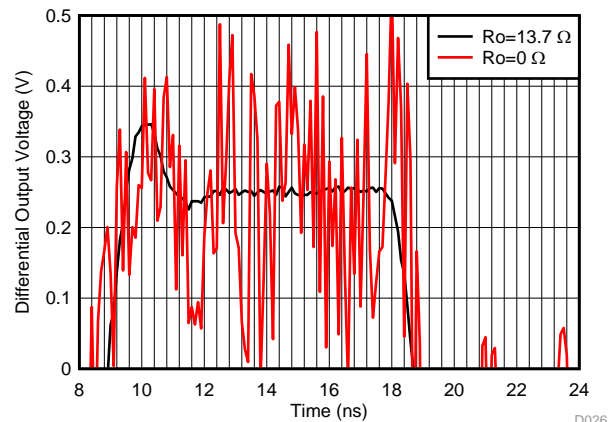
### 3-V Single Supply (continued)

At  $V_{s+} = 3\text{ V}$ ,  $V_{s-} = \text{GND}$ ,  $V_{ocm}$  is open, 50- $\Omega$  single-ended input to differential output, gain = 2 V/V,  $R_{load} = 500\ \Omega$ , and  $T_A \approx 25^\circ\text{C}$  (unless otherwise noted).



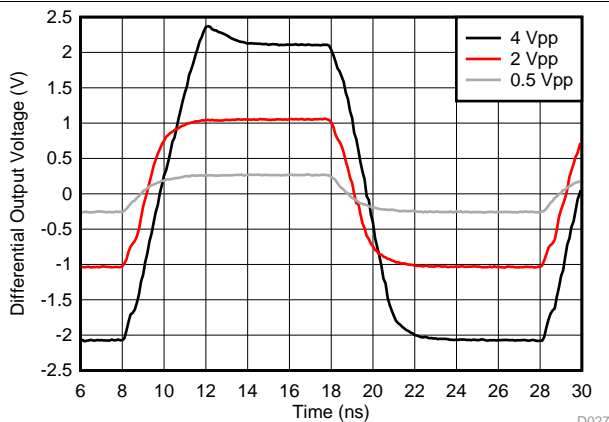
50-MHz input, 0.3-ns input edge rate, single-ended input to differential output, DC coupled, see Figure 63

Figure 25. Small- and Large-Signal Step Response



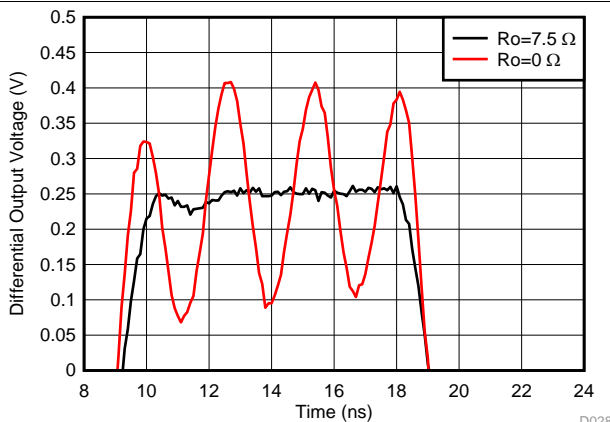
500-mV<sub>PP</sub> output into 22-pF Load, see Figure 71 with  $V_{s+} = 3\text{ V}$  and  $V_{ocm} = 1.5\text{ V}$

Figure 26. Step Response into Capacitive Load



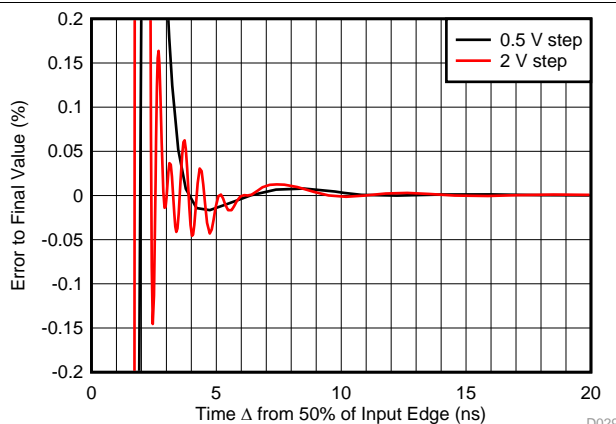
G = 5 V/V, 50-MHz input, 0.3-ns input edge rate, single-ended input to differential output, see Figure 61

Figure 27. Small- and Large-Signal Step Response



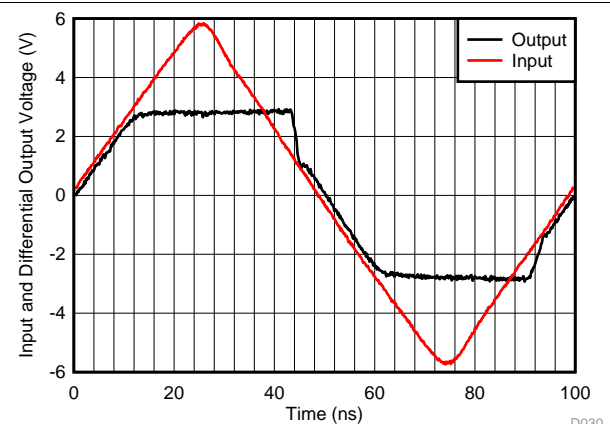
G = 5 V/V, 500-mV<sub>pp</sub> output into 22-pF Load, see Figure 71 and Table 6

Figure 28. Step Response into Capacitive Load



Simulated with 2-ns input transition time, see Figure 63

Figure 29. Small- and Large-Signal Step Settling Time

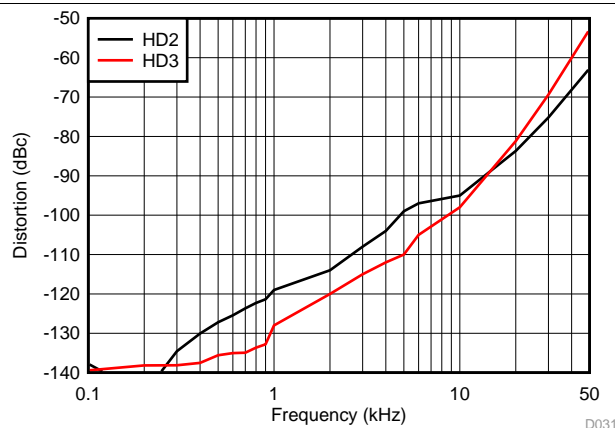


Single-ended to differential gain of 2 (see Figure 63), > 2x input overdrive

Figure 30. Overdrive Recovery Performance

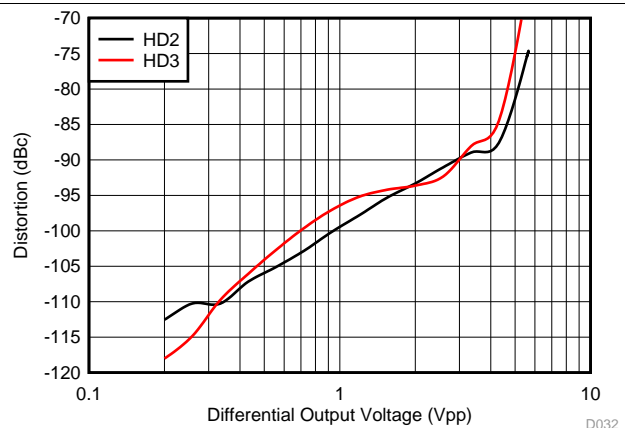
### 3-V Single Supply (continued)

At  $V_{s+} = 3\text{ V}$ ,  $V_{s-} = \text{GND}$ ,  $V_{ocm}$  is open,  $50\text{-}\Omega$  single-ended input to differential output, gain =  $2\text{ V/V}$ ,  $R_{load} = 500\ \Omega$ , and  $T_A \approx 25^\circ\text{C}$  (unless otherwise noted).



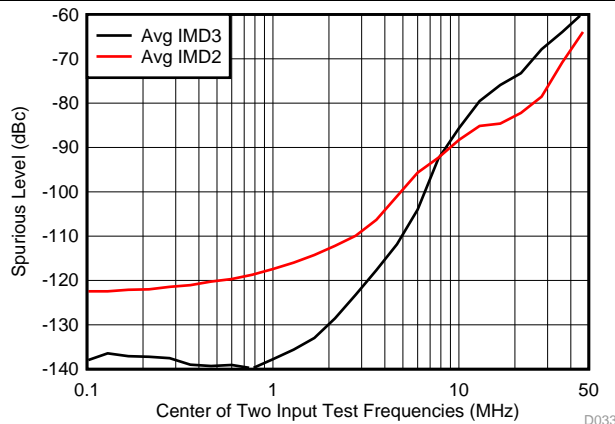
2- $V_{PP}$  output, see Figure 61 with  $V_{s+} = 3\text{ V}$ ,  $V_{ocm} = 1.5\text{ V}$

**Figure 31. Harmonic Distortion Over Frequency**



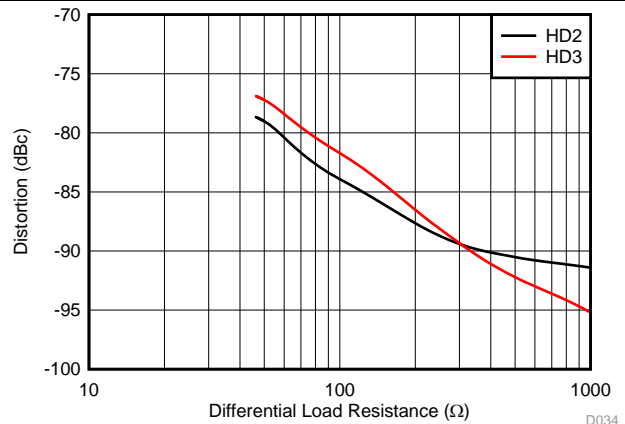
$f = 10\text{ MHz}$ , see Figure 61 with  $V_{s+} = 3\text{ V}$ ,  $V_{ocm} = 1.5\text{ V}$

**Figure 32. Harmonic Distortion vs Output Swing**



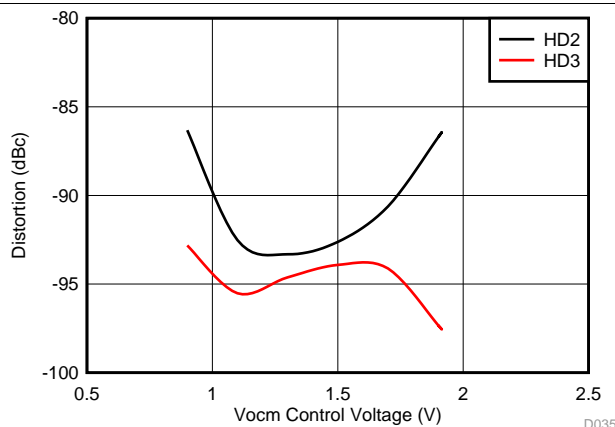
1  $V_{PP}$  each tone, see Figure 61 with  $V_{s+} = 3\text{ V}$ ,  $V_{ocm} = 1.5\text{ V}$

**Figure 33. IMD2 and IM3 Over Frequency**



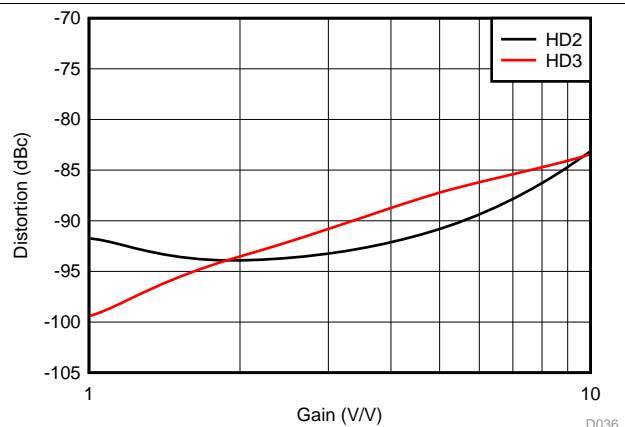
$f = 10\text{ MHz}$ , see Figure 61 with  $V_{s+} = 3\text{ V}$ ,  $V_{ocm} = 1.5\text{ V}$

**Figure 34. Harmonic Distortion vs Rload**



$f = 10\text{ MHz}$ , 2- $V_{PP}$  output, see Figure 63 with  $V_{ocm}$  adjusted

**Figure 35. Harmonic Distortion vs Vocm**



$f = 10\text{ MHz}$ , 2- $V_{PP}$  output, see Figure 61 and Table 6 for gain setting

**Figure 36. Harmonic Distortion vs Gain**



### 7.7.3 3-V to 5-V Supply Range

At  $V_{s+} = 3\text{ V}$  and  $5\text{ V}$ ,  $V_{s-} = \text{GND}$ ,  $V_{ocm}$  is open,  $50\text{-}\Omega$  single-ended input to differential output, gain =  $2\text{ V/V}$ ,  $R_{load} = 500\text{ }\Omega$ , and  $T_A \approx 25^\circ\text{C}$  (unless otherwise noted).

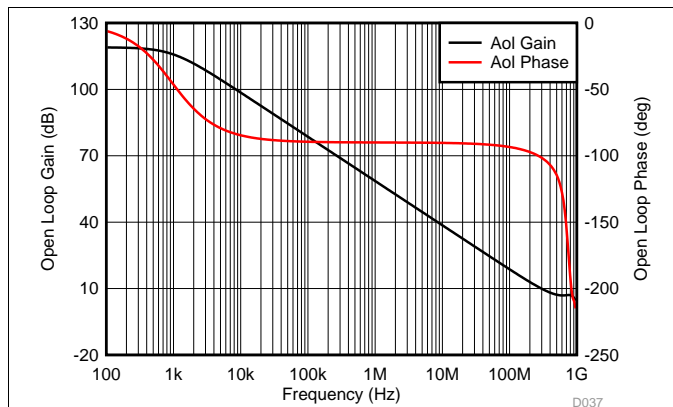
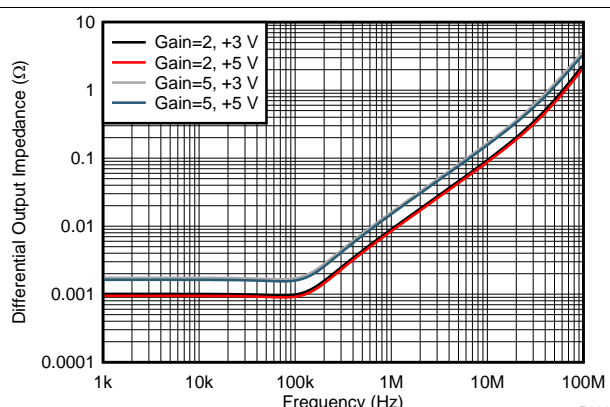


Figure 37. Main Amplifier Differential Open-Loop Gain and Phase vs Frequency



Single-ended input to differential output, simulated differential output impedance, (closed-loop) gain of 2 and 5, see Figure 61

Figure 38. Closed-Loop Output Impedance

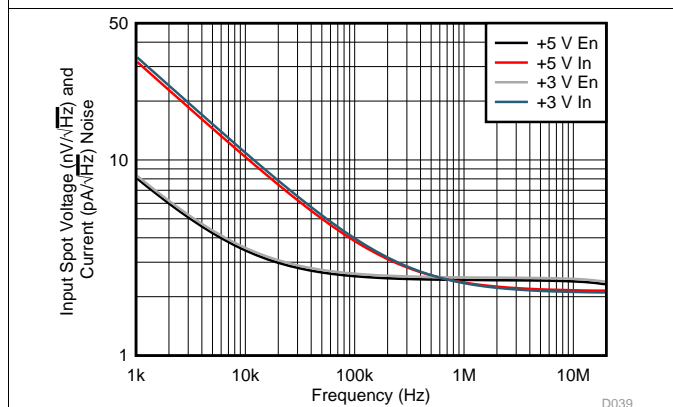
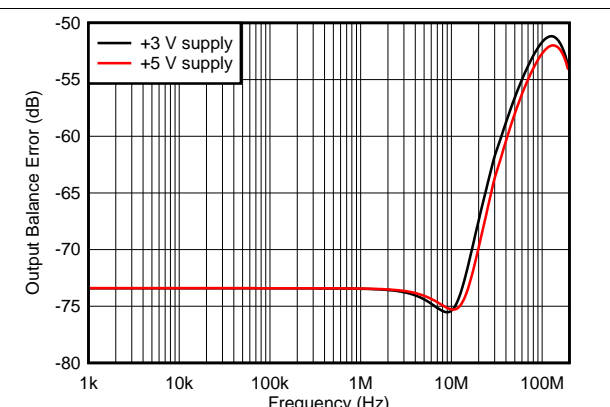
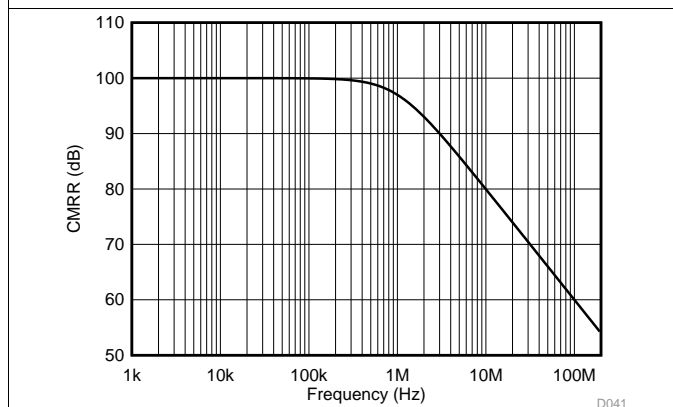


Figure 39. Input Spot Noise Over Frequency



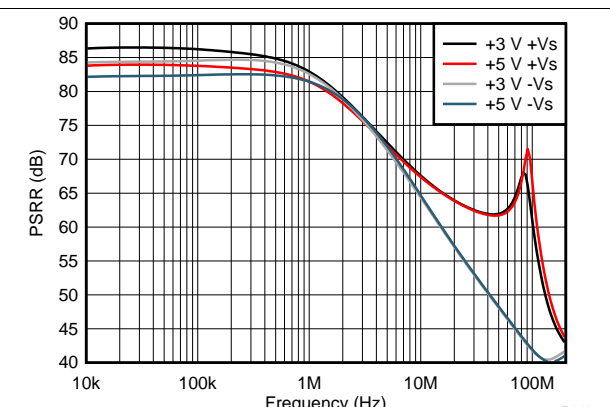
Single-ended input to differential output, gain of 2 (see Figure 61), simulated with 1% resistor, worst-case mismatch

Figure 40. Output Balance Error Over Frequency



Common-mode in to differential out, gain of 2 simulation

Figure 41. CMRR Over Frequency

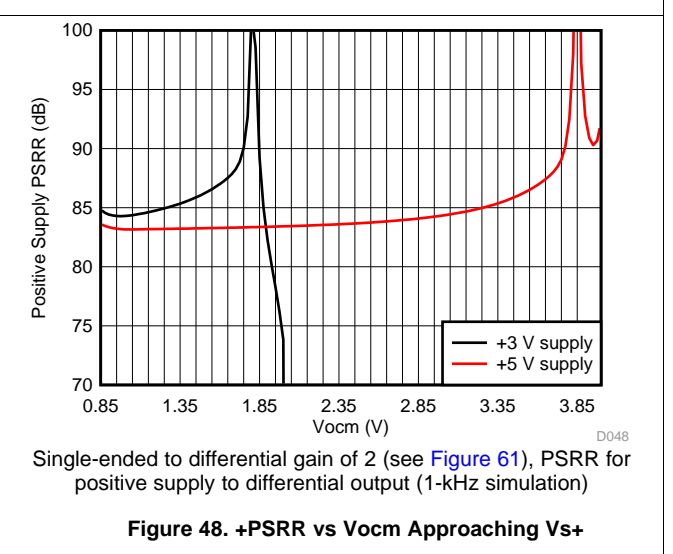
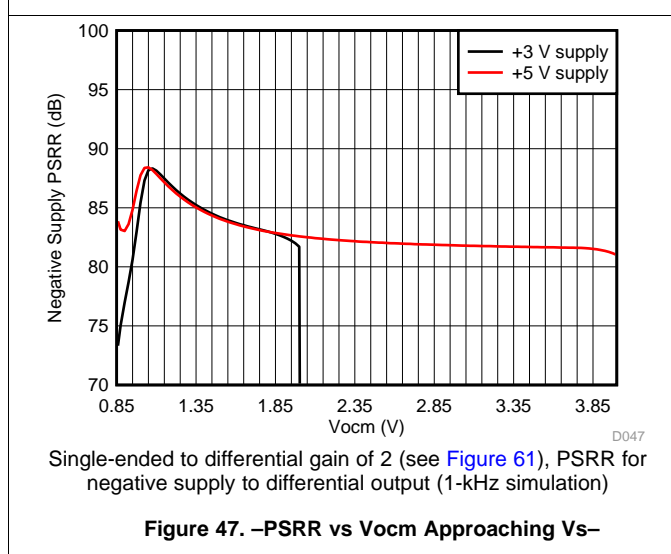
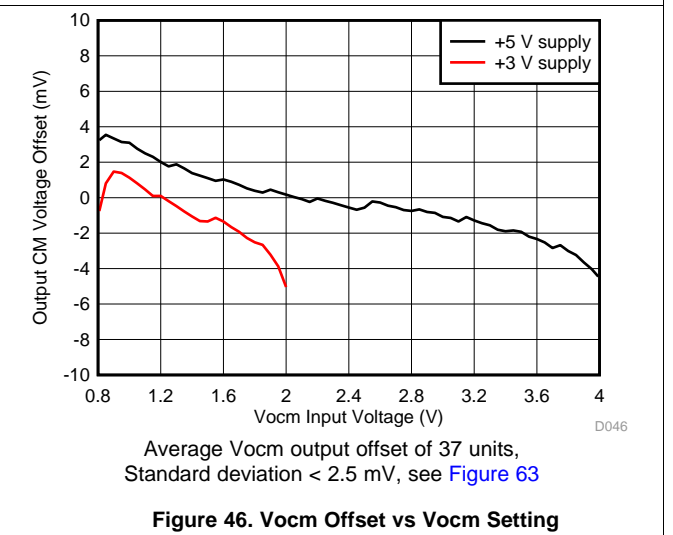
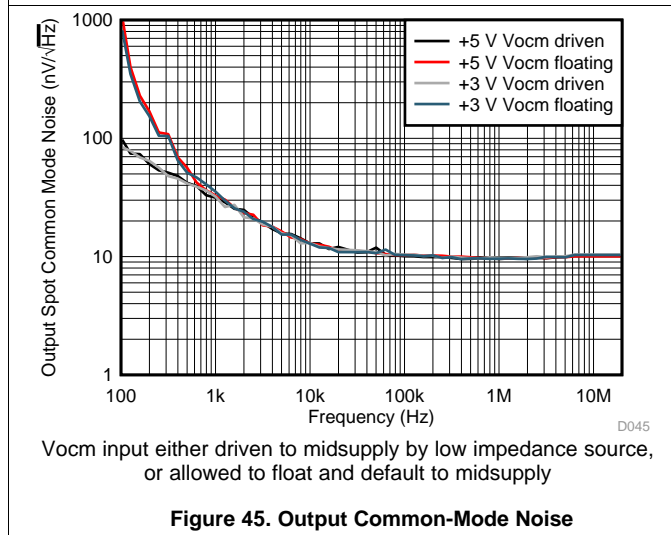
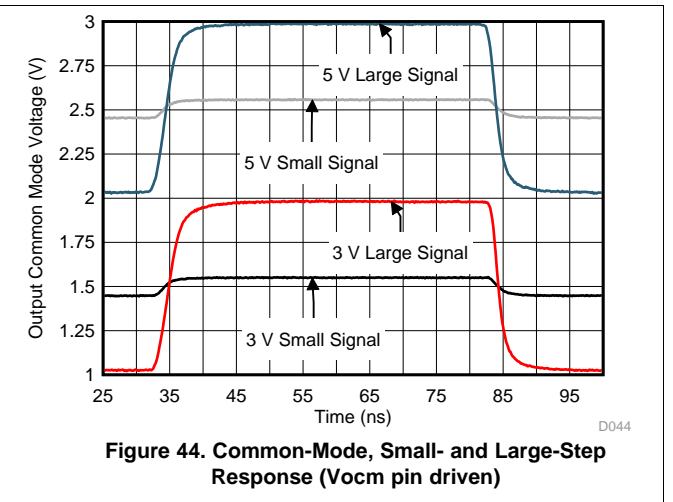
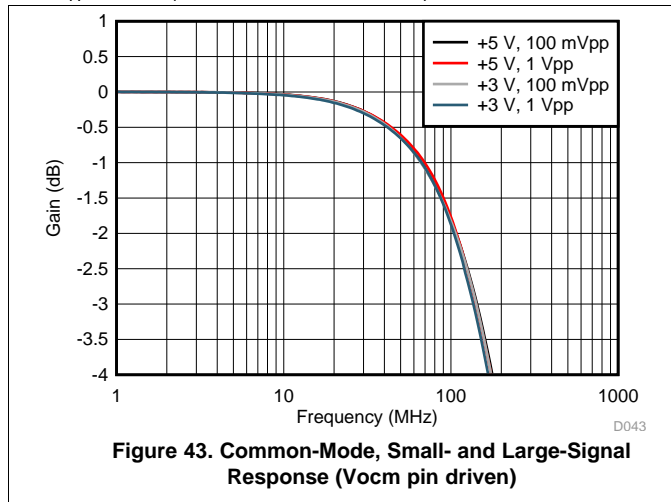


Single-ended to differential, gain of 2 (see Figure 61) PSRR simulated to differential output

Figure 42. PSRR Over Frequency

### 3-V to 5-V Supply Range (continued)

At  $V_{s+} = 3\text{ V}$  and  $5\text{ V}$ ,  $V_{s-} = \text{GND}$ ,  $V_{ocm}$  is open,  $50\text{-}\Omega$  single-ended input to differential output, gain =  $2\text{ V/V}$ ,  $R_{load} = 500\text{ }\Omega$ , and  $T_A \approx 25^\circ\text{C}$  (unless otherwise noted).



### 3-V to 5-V Supply Range (continued)

At  $V_{S+} = 3\text{ V}$  and  $5\text{ V}$ ,  $V_{S-} = \text{GND}$ ,  $V_{ocm}$  is open,  $50\text{-}\Omega$  single-ended input to differential output, gain =  $2\text{ V/V}$ ,  $R_{load} = 500\ \Omega$ , and  $T_A \approx 25^\circ\text{C}$  (unless otherwise noted).

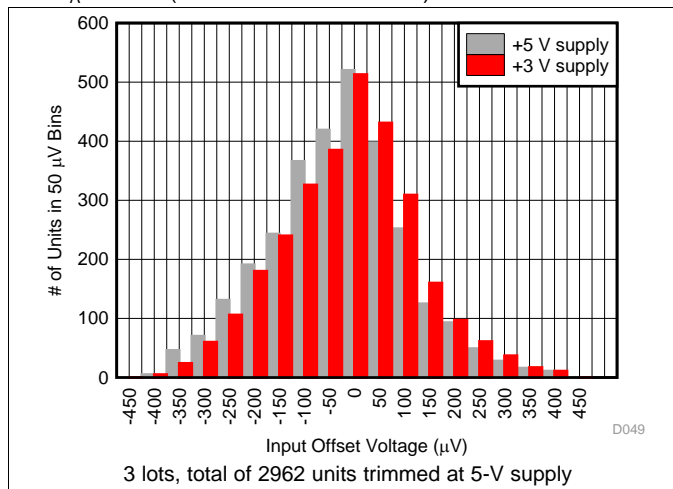


Figure 49. Input Offset Voltage

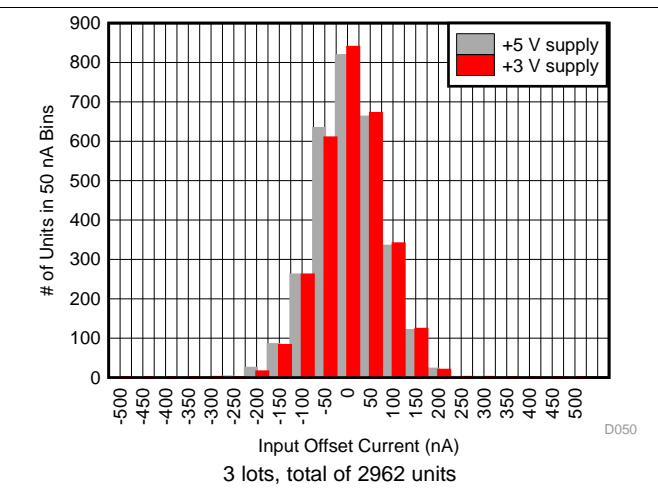


Figure 50. Input Offset Current

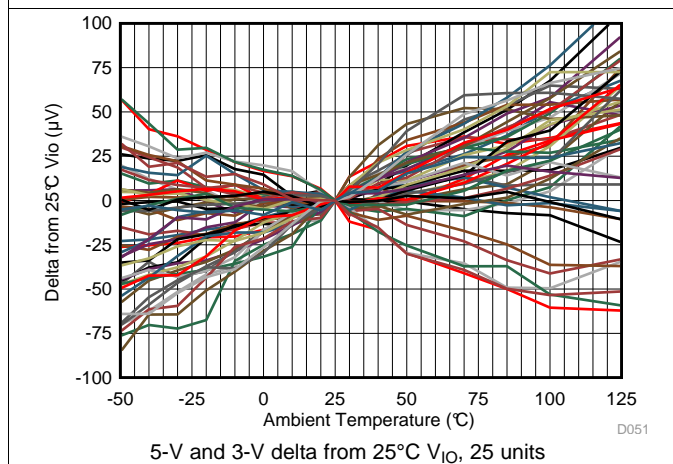


Figure 51. Input Offset Voltage Over Temperature

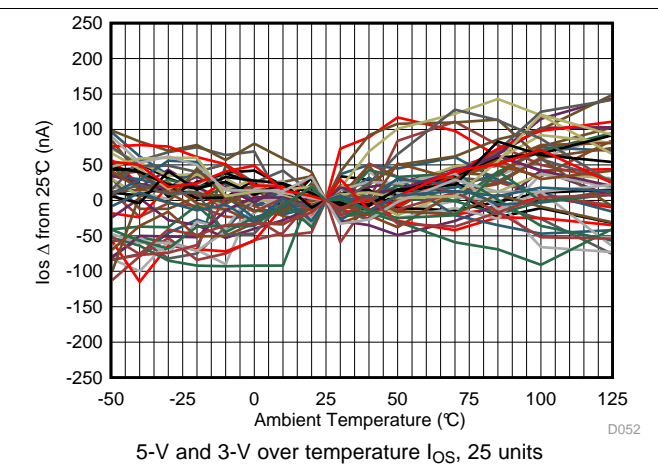


Figure 52. Input Offset Current Over Temperature

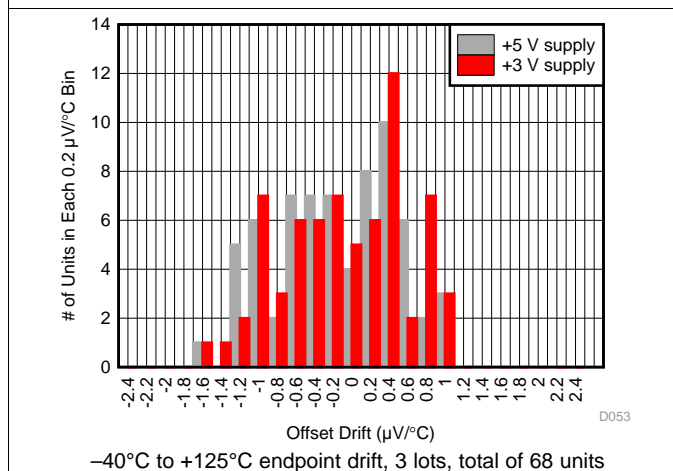


Figure 53. Input Offset Voltage Drift

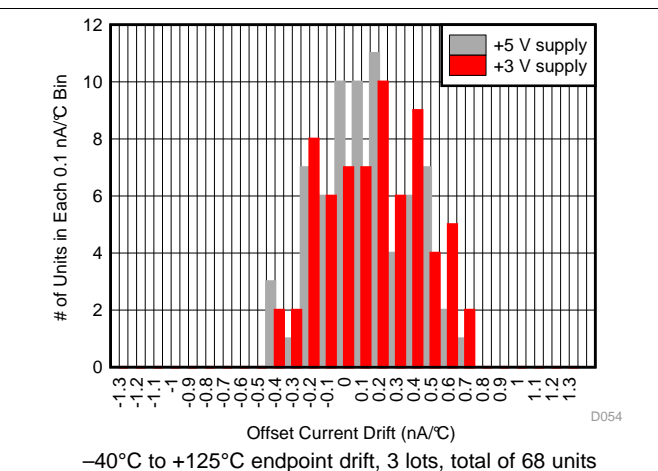


Figure 54. Input Offset Current Drift

### 3-V to 5-V Supply Range (continued)

At  $V_{S+} = 3\text{ V}$  and  $5\text{ V}$ ,  $V_{S-} = \text{GND}$ ,  $V_{ocm}$  is open,  $50\text{-}\Omega$  single-ended input to differential output, gain =  $2\text{ V/V}$ ,  $R_{load} = 500\text{ }\Omega$ , and  $T_A \approx 25^\circ\text{C}$  (unless otherwise noted).

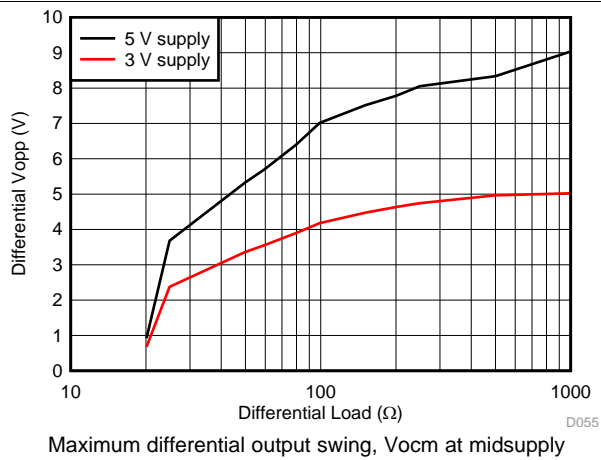


Figure 55. Maximum  $V_{opp}$  vs  $R_{load}$

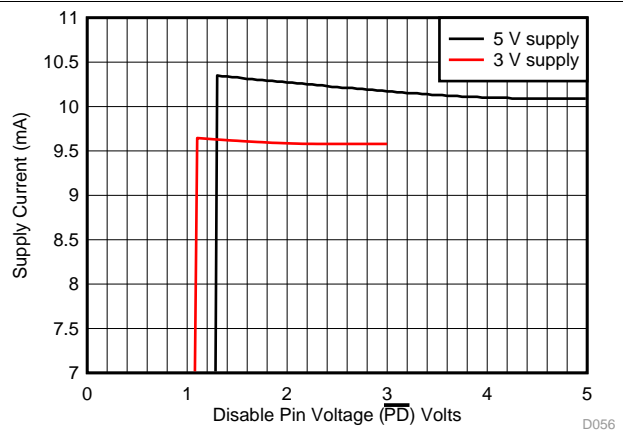


Figure 56. Supply Current vs  $\overline{\text{PD}}$  Voltage

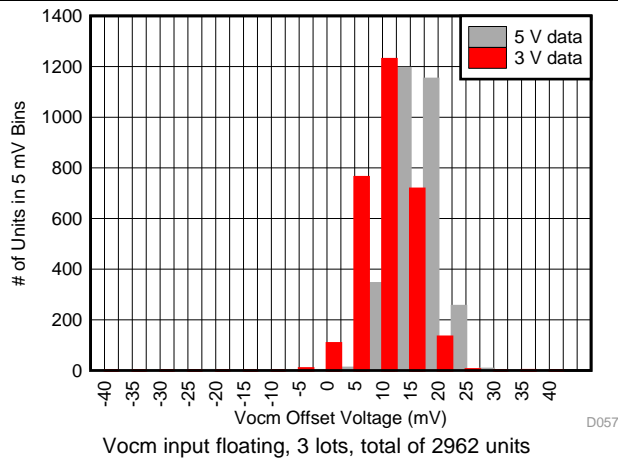


Figure 57. Common-Mode Output Offset from  $V_{S+} / 2$  Default Value

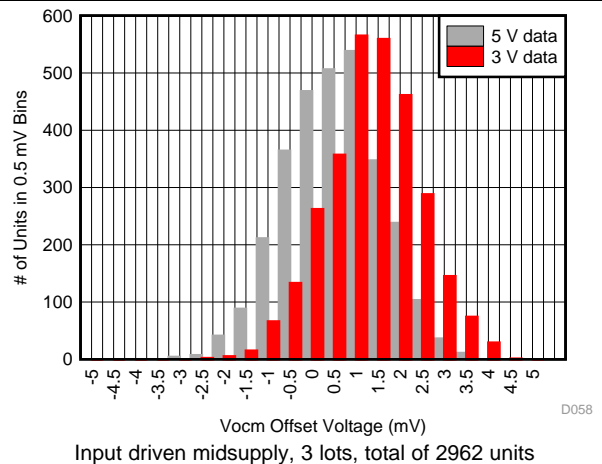


Figure 58. Common-Mode Output Offset from Driven  $V_{ocm}$

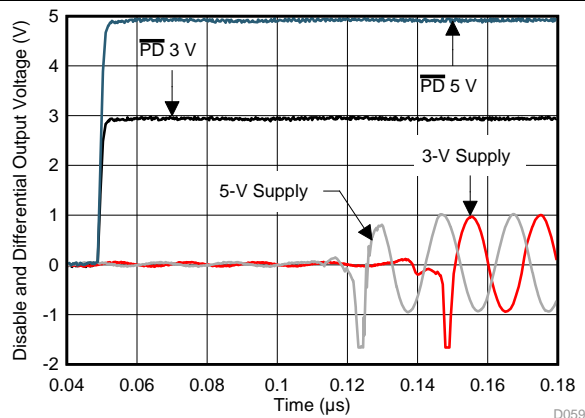


Figure 59.  $\overline{\text{PD}}$  Turn On Waveform

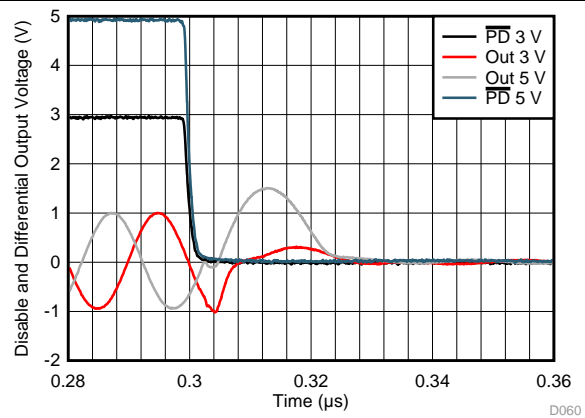


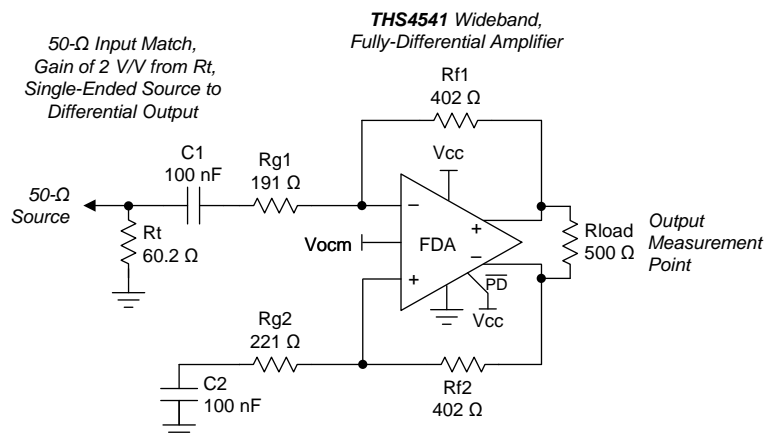
Figure 60.  $\overline{\text{PD}}$  Turn Off Waveform

## 8 Parameter Measurement Information

### 8.1 Example Characterization Circuits

The THS4541-Q1 offers the advantages of a fully differential amplifier (FDA) design, with the trimmed input offset voltage of a precision op amp. The FDA is an extremely flexible device that provides a purely differential output signal centered on a settable output common-mode level. The primary options revolve around the choices of single-ended or differential inputs, AC-coupled or DC-coupled signal paths, gain targets, and resistor-value selections. The characterizations shown in [Figure 1](#) to [Figure 36](#) focus on single-ended-to-differential designs as the more challenging application requirement. Differential sources can certainly be supported and are often simpler to both implement and analyze.

Because most lab equipment is single-ended, the characterization circuits typically operate with a single-ended, matched, 50-Ω input termination to a differential output at the FDA output pins. That output is then translated back to single-ended through a variety of baluns (or transformers) depending on the test and frequency range. DC-coupled, step-response testing uses two 50-Ω scope inputs with trace math. The starting point for any single-ended-to-differential, AC-coupled characterization plot is shown in [Figure 61](#).



**Figure 61. AC-Coupled, Single-Ended Source to a Differential Gain of a 2-V/V Test Circuit**

Most characterization plots fix the  $R_f$  ( $R_{f1} = R_{f2}$ ) value at 402 Ω, as shown in [Figure 61](#). This element value is completely flexible in application, but the 402 Ω provides a good compromise for the parasitic issues linked to this value, specifically:

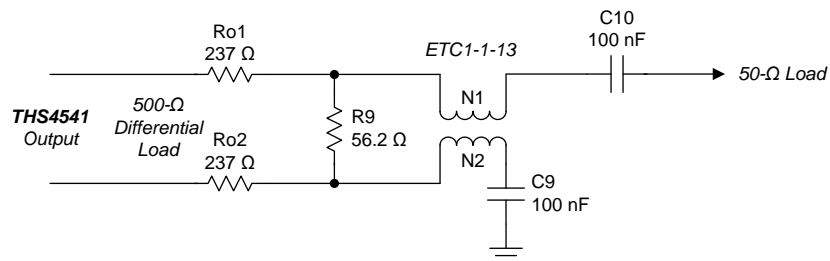
- Added output loading. The FDA appears like an inverting op amp design with both feedback resistors as an added load across the outputs (approximate total differential load in [Figure 61](#) is 500 Ω || 804 Ω = 308 Ω).
- Noise contributions because of the resistor values. The resistors contribute both a 4kTR term and provide gain for the input current noise (see the [Noise Analysis](#) section).
- Parasitic feedback pole at the input summing nodes. This pole created by the feedback R value and the 0.85-pF differential input capacitance (as well as any board layout parasitic) introduces a zero in the noise gain, decreasing the phase margin in most situations. This effect must be managed for best frequency response flatness or step response overshoot. The 402-Ω value selected does degrade the phase margin slightly over a lower value, but does not decrease the loading significantly from the nominal 500-Ω value across the output pins.

### Example Characterization Circuits (continued)

The frequency domain characterization curves start with the selections of [Figure 61](#). Then, various elements are modified to show their impact over a range of design targets, specifically:

- Gain setting is changed by adjusting  $R_t$  and the 2 –  $R_g$  elements (holding a 50- $\Omega$  input match).
- Output loading, including both resistive and capacitive load testing.
- Power-supply settings. Most often, a single +5-V test uses a  $\pm 2.5$ -V supply, and a +3-V test uses  $\pm 1.5$ -V supplies.
- The disable control pin is tied to  $V_{s+}$  for any active channel test.

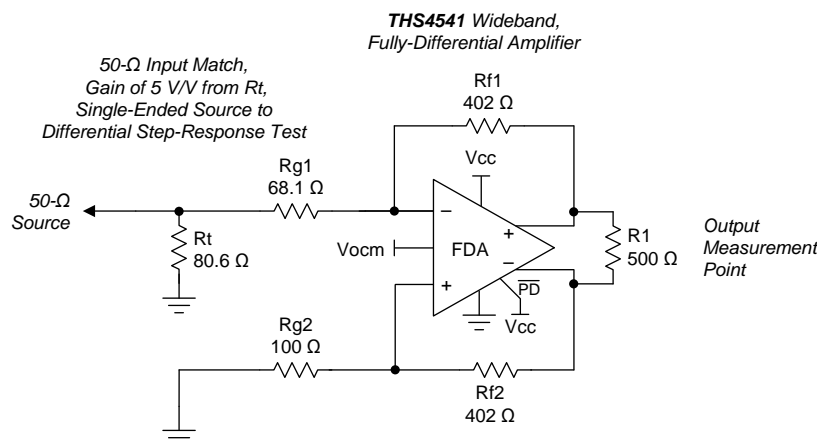
Because most network and spectrum analyzers are a single-ended input, the output network on the THS4541-Q1 characterization tests typically show the desired load connected through a balun to a single-ended, 50- $\Omega$  load, while presenting a 50- $\Omega$  source from the balun output back into the balun. For instance, [Figure 62](#) shows a wideband MA/Com balun used for [Figure 61](#). This network shows a 500- $\Omega$  differential load to the THS4541-Q1, but an AC-coupled, 50- $\Omega$  source to the network analyzer. Distortion testing typically uses a lower-frequency, DC-isolated balun (such as the TT1-6T) that is rotated 90° from the wider band interface of [Figure 62](#).



**Figure 62. Example 500- $\Omega$  Load to a Single-Ended, Doubly-Terminated, AC-Coupled, 50- $\Omega$  Interface**

This approach allows a higher differential load, but with a wideband 50- $\Omega$  output match at the cost of considerable signal-path insertion loss. This loss is acceptable for characterization, and is normalized out to show the characterization curves.

For time-domain or DC-coupled testing, the circuit of [Figure 63](#) is used as a starting point, where the gain of a 5-V/V setting used in [Figure 9](#) and [Figure 27](#) are illustrated.



**Figure 63. DC-Coupled, Single-Ended-to-Differential, Basic Test Circuit Set for a Gain of 5 V/V**

### Example Characterization Circuits (continued)

In this case, the input is DC-coupled, showing a 50-Ω input match to the source, gain of 5 V/V to a differential output, again driving a nominal 500-Ω load. Using a single supply, the Vocm control input can either be floated (defaulting to midsupply) or be driven within the allowed range for the Vocm loop (see the headroom limits on Vocm in the *Electrical Characteristics* tables). To use this circuit for step-response measurements, load each of the two outputs with a 250-Ω network, translating to a 50-Ω source impedance driving into two 50-Ω scope inputs. Then, difference the scope inputs to generate the step responses of [Figure 9](#) and [Figure 27](#). [Figure 64](#) shows the output interface circuit. This grounded interface pulls a DC load current from the output Vocm voltage for single-supply operation. Running this test with balanced bipolar power supplies eliminates this DC load current and gives similar waveform results.

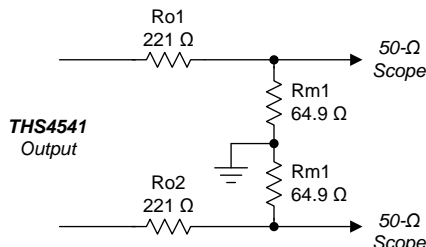


Figure 64. Example 500-Ω Load to Differential, Doubly-Terminated, DC-Coupled 50-Ω Scope Interface

## 8.2 Frequency-Response Shape Factors

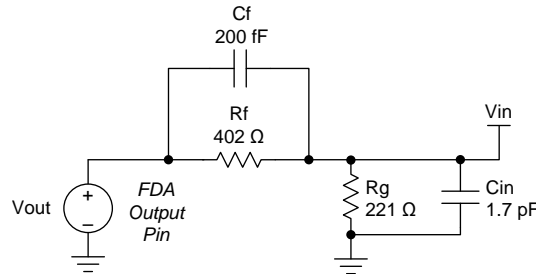
[Figure 1](#) illustrates the small-signal response shape versus gain using a fixed 402-Ω feedback resistor in the circuit of [Figure 61](#). Being a voltage-feedback based FDA, the THS4541-Q1 shows a response shape that varies with gain setting, largely determined by the loop-gain crossover frequency and phase margin at the crossover. This loop-gain crossover frequency is where the open-loop response and the noise gain intersect (where the loop gain drops to 1). The noise gain is the inverse of the voltage divider from the outputs back to the differential inputs; use a balanced divider ratio on each feedback path. In general, the noise gain (NG) does not equal the signal gain for designs providing an input match from a source impedance. NG is given by  $1 + R_f / (\text{total impedance from the inverting summing junction to ground})$ . Using the resistor values computed in the gain sweep of [Table 6](#), and repeating that sweep showing the NG gives [Table 1](#), where only the exact R solutions are shown.

Table 1. Resistor Values and Noise Gain for Swept Gain with  $R_f = 402 \Omega^{(1)}$

SIGNAL GAIN	Rt, EXACT (Ω)	Rg1, EXACT (Ω)	Rg2, EXACT (Ω)	NOISE GAIN
1	55.2	399	425	1.94
2	60.1	191	218	2.85
3	65.6	124	153	3.63
4	72	89.7	119	4.37
5	79.7	67.8	98.3	5.09
6	89.1	54.2	86.5	5.65
7	101	43.2	76.6	6.25
8	117	35.2	70.1	6.74
9	138	29	65.8	7.11
10	170	23.6	62.5	7.44
11	220	18.7	59.3	7.78
12	313	14.6	57.7	7.97
13	545	10.8	56.6	8.11
14	2209	7.26	56.1	8.16

(1)  $R_f = 402 \Omega$ ,  $R_s = 50 \Omega$ , and  $A_{V_{MAX}} = 14.32 \text{ V/V}$ .

NG is critically important for bandwidth and all output error terms (such as DC offset and noise). For lower-speed devices, normally only the DC noise gain is considered. However, for the THS4541-Q1, with loop gain crossover at greater than 300 MHz, the feedback network produces a parasitic pole to the differential summing junctions that causes the noise gain to increase with frequency. This pole causes a lower crossover frequency than might be expected with added phase shift around the loop. Consider the feedback network (single-ended) of Figure 65, showing a parasitic 0.2 pF on the feedback 402-Ω resistor. The 0.85-pF differential input capacitance of the THS4541-Q1 is converted to single-ended as a 1.7-pF parasitic for this single-sided analysis circuit (the Rg shown is Rg2 in Figure 61).



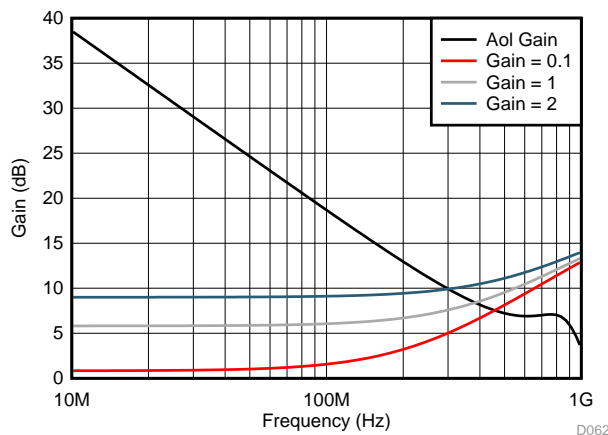
**Figure 65. Feedback Network for the Gain of 2 Configuration Using 402 Ω and Matching to a 50-Ω Source**

The response shape from Vout to Vin in Figure 65 has a pole and then a zero. To describe NG, invert the Laplace transform of Vin and Vout from Figure 65 to provide the frequency-dependent NG response of Equation 1, where a zero comes in first and then a pole.

$$NG = \left(1 + \frac{C_{in}}{C_f}\right) \frac{s + \frac{1 + \frac{R_f}{R_g}}{R_f(C_f + C_{in})}}{s + \frac{1}{R_f \cdot C_f}} \tag{1}$$

The zero location is key. Using the gain of 2 values of Figure 65, the estimated zero in the NG is 588 MHz. Limiting the parasitic capacitance at the summing junctions, either differentially or signal-ended, to a ground or power plane is critical in board layouts.

Using this feedback model, and the open-loop gain and phase data for the THS4541-Q1, allows the Aol and NG curves over frequency to be drawn, as shown in Figure 66, where the peaking in the noise gain pulls the intersection point back in frequency.



**Figure 66. Aol and Noise Gain Plots for the Lower Gains of Figure 61**



To assess closed-loop bandwidth and peaking, the noise-gain phase must be subtracted from the THS4541-Q1 Aol phase to obtain the total phase around the loop, as shown in Figure 67.

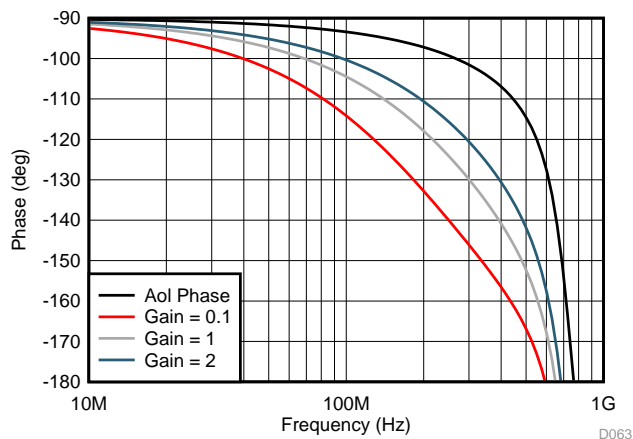


Figure 67. Loop-Gain Phase for the Three Lower Gains of Figure 1

From Figure 66 and Figure 67, using Table 2, tabulate the loop-gain crossover frequency and phase margin at these crossovers to explain the response shapes of Figure 1.

Table 2. Estimated Crossover Frequency and Phase Margin for Gains of 0.1, 1, and 2 in Figure 1

GAIN	DC NG (V/V)	0-dB LG (MHz)	PHASE MARGIN (°)
0.1	1.1	457	18
1	1.94	380	41
2	2.85	302	59

From these crossover (or 0-dB loop gain) frequencies, a good approximation for the resulting  $f_{-3dB}$  is to multiply the crossover frequencies by 1.6 when the phase margin is less than 65°. Ideally, a 65° phase margin at loop-gain crossover provides a flat Butterworth closed-loop response. The 59° phase margin for the gain of 2 setting explains the nearly flat response for this condition with  $1.6 \times 302 \text{ MHz} = 483 \text{ MHz}$ , estimated with  $f_{-3dB}$  closely matching the measured 500-MHz SSBW.

The very low phase margin in the attenuator setting at 0.1 V/V explains the highly peaked response in Figure 1. This peaking can be easily compensated, as shown in the *Designing Attenuators* section, using feedback capacitors and a differential capacitor across the inputs.

Considering the noise gain zero as part of the loop-gain analysis shows the importance of using relatively-low, feedback-resistor values and minimizing layout parasitic capacitance on the input pins of the THS4541-Q1 to reduce the effects of this feedback pole. The TINA model does a good job of predicting these issues (the model includes the 0.85-pF differential internal capacitance); add any estimated external parasitic capacitance on the summing junctions in simulation to predict the response shape more accurately.

### 8.3 I/O Headroom Considerations

The starting point for most designs is usually to assign an output common-mode voltage. For AC-coupled signal paths, this voltage is often the default midsupply voltage, in order to retain the most available output swing around the centered Vocm. For DC-coupled designs, set this voltage with consideration for the required minimum headroom to the supplies shown in the specifications for the Vocm control. From the target output Vocm, the next step is to verify that the desired output differential V<sub>PP</sub> stays within the supplies. For any desired differential V<sub>opp</sub>, check that the absolute maximum output pin swings with [Equation 2](#) and [Equation 3](#), and confirm they are within the supply rails for this rail-to-rail (RR) output device.

$$V_{O_{\min}} = V_{ocm} - \frac{V_{opp}}{4} \quad (2)$$

$$V_{O_{\max}} = V_{ocm} + \frac{V_{opp}}{4} \quad (3)$$

For instance, driving the ADC3223 with its 0.95 V<sub>cm</sub> control using a single 3.3-V supply, the maximum output swing is set by the negative-going signal from 0.95 V<sub>cm</sub> to +0.2 V above ground. This 0.75-V, single-sided swing becomes an available  $4 \times 0.75 \text{ V} = 3 \text{ V}_{PP}$  differential around the nominal 0.95 V<sub>cm</sub> output common mode. On the high side, the maximum output is  $0.95 + 0.75 = 1.7 \text{ V}$ . This result is well within the allowed maximum of  $3.3 \text{ V} - 0.2 \text{ V} = 3.1 \text{ V}$ . This  $3 \text{ V}_{PP}$  is also well beyond the maximum required  $2\text{-V}_{PP}$  full-scale differential input for this ADC. However, having this extra swing range is useful if an interstage filter to the ADC adds insertion loss.

With the output headrooms confirmed, the input junctions must also stay within their operating range. The input range extends to the negative supply voltage (over the full temperature range); therefore, input range limitations usually appear only approaching the positive supply, where a maximum 1.3-V headroom is required over the full temperature range.

The input pins operate at voltages set by the external circuit design, the required output Vocm, and the input signal characteristics. For differential-to-differential designs where the input Vicm voltage does not move with the input signal, there are two configurations to consider:

- AC-coupled, differential-input designs have a Vicm equal to the output Vocm. The input Vicm requires approximately a 1.3-V headroom to the positive supply; therefore, the maximum Vocm to that value reduces from the Vocm positive headroom requirement of 1.2 V to the 1.3 V required on the input pins. The lower limit on the output Vocm is approximately 0.95 V to the negative supply over the full temperature range, and well within the 0-V minimum headroom on the input Vicm.
- DC-coupled, differential-input designs, check the voltage divider from the source V<sub>cm</sub> to the THS4541-Q1 Vocm setting to confirm the resulting voltage divider solves to an input Vicm within the allowed range. If the source V<sub>cm</sub> can vary over some voltage range, this result must be validated over that range.

For single-ended input to differential output designs, there is a DC Vicm voltage set by the external configuration with a small-signal related swing around that. The two conditions to consider are:

- AC-coupled, single-ended input to differential designs place an average input Vicm equal to the output Vocm voltage with an AC-coupled swing around that Vocm following the input voltage.
- DC-coupled, single-ended input to differential designs get a nominal input Vicm set by the source-signal common mode and the output Vocm setting with a small, signal-related swing around the DC Vicm level set by the voltage divider.

### I/O Headroom Considerations (continued)

One method of deriving the voltage range for  $V_{cm}$  for any single-ended input to differential output design is to determine the voltage swing on the nonsignal-input side of the FDA outputs and simply take its divider back to the input pin to ground or the DC reference used on that side. An example analysis is shown in Figure 68, where the circuit of Figure 61 is simplified to show just a Thevenized source impedance.

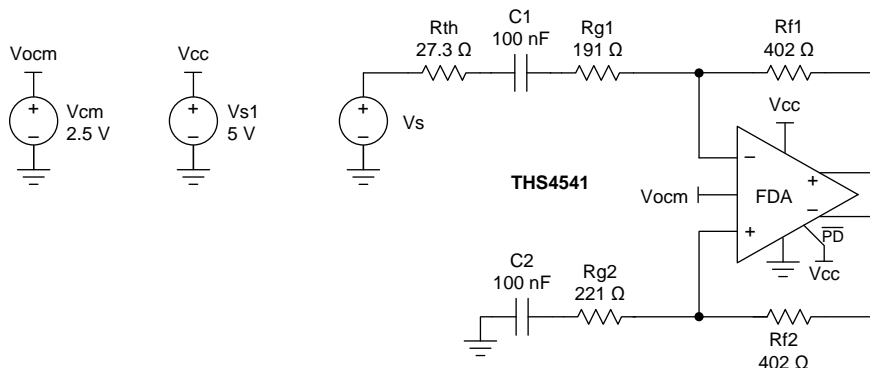


Figure 68. Input Swing Analysis Circuit from Figure 61 with Thevenized Source

For this AC-coupled input analysis, the nominal DC input  $V_{cm}$  is simply the output  $V_{ocm}$  (2.5 V in this example design). Then, considering the lower side of the feedback networks, any desired maximum output differential  $V_{PP}$  generates a known AC  $V_{PP}$  at the junction of  $R_{g2}$  and  $R_{f2}$ . For instance, if the design intends a maximum  $4\text{-}V_{PP}$  differential output, each FDA output pin is  $\pm 1$  V around the  $V_{ocm}$  ( $= 2.5$  V), and then back to the  $V_{cm}$ , which produces a  $\pm 1$  V  $\times 221 / (221 + 402) = \pm 0.355$  V around the DC setting of  $V_{ocm}$ . This simple approach to assessing the input  $V_{cm}$  range for a single-ended to differential design can be applied to any design using an FDA by reducing the input side circuits to a divider to either the signal source and ground or voltage reference on the nonsignal input side.

## 8.4 Output DC Error and Drift Calculations and the Effect of Resistor Imbalances

The THS4541-Q1 offers a trimmed input offset voltage and extremely low offset drift over the full  $-40^{\circ}\text{C}$  to  $+125^{\circ}\text{C}$  operating range. This offset voltage combines with several other error contribution terms to produce an initial  $25^{\circ}\text{C}$  differential offset error band, and then a drift over temperature. For each error term, a gain must be assigned to that term. For this analysis, only DC-coupled signal paths are considered. One new source of output error (versus typical op amp analysis) arises from the effect that mismatched resistor values and ratios can have on the two sides of the FDA. Any common-mode voltage or drift creates a differential output error through the slight mismatches arising from the external feedback and gain-setting resistor tolerances, and the approximation (or snap) to standard value.

The error terms ( $25^{\circ}\text{C}$  and drift), along with the gain to the output differential voltage, include:

- Input offset voltage—this voltage has a gain equal to the noise gain or  $1 + R_f / R_g$ , where  $R_g$  is the total DC impedance from the input pins back to the source, or a DC reference (typically ground).
- Input offset current—this current has a gain to the differential output through the average feedback resistor value.

The remaining terms arise from an assumed range on both the absolute feedback resistor mismatch and the mismatch in the divider ratio on each side of the FDA. The first of these resistor mismatch terms is the input bias current creating a differential output offset because of  $R_f$  mismatch. For simplicity, the upper  $R_f$  and  $R_g$  values are called  $R_{f1}$  and  $R_{g1}$  with a ratio of  $R_{f1} / R_{g1} \equiv G_1$ . The lower elements are defined as  $R_{f2}$  and  $R_{g2}$  with a ratio of  $R_{f2} / R_{g2} \equiv G_2$ . To compute worst-case contributions, a maximum variation in the design resistor tolerance is used in the absolute and ratio mismatches. For instance,  $\pm 1\%$  tolerance resistors are assumed, giving a worst-case  $G_1$  that is 2% higher than nominal and a  $G_2$  that is 2% lower than nominal, with a worst-case  $R_f$  value mismatch of 2% as well. For matched impedance designs with  $R_t$  and  $R_{g1}$  on a single-ended to differential stage, the standard value snap imposes a fixed mismatch in the initial feedback ratios with the resistor tolerance adding a mismatch to this initial ratio mismatch. Define the selected external resistor tolerance as  $\pm T$  (so for 1% tolerance resistors,  $T = 0.01$ ).

- Total gain for bias current error is  $\pm 2 \times T \times R_{f\text{nom}}$

Anything that generates an output common-mode level or shift over temperature also generates an output differential error term if the two feedback ratios,  $G_1$  and  $G_2$ , are not equal. An error trying to produce a shift in the output common-mode is overridden by the common-mode control loop, where any feedback ratio mismatch creates a balanced, differential error around the  $V_{ocm}$  output.

The terms that create a differential error from a common-mode term and feedback ratio mismatch include the desired  $V_{ocm}$  voltage, any source common-mode voltage, any drift on the reference bias to the  $V_{ocm}$  control pin, and any internal offset and drift in the  $V_{ocm}$  control path.

Considering just the output common-mode control and the source common-mode voltage ( $V_{icm}$ ), the conversion to output differential offsets is done by using [Equation 4](#):

$$V_{od} = \frac{V_{ocm}(G_1 - G_2) - V_{icm}(G_1 - G_2)}{1 + \frac{G_1 + G_2}{2}} \quad (4)$$

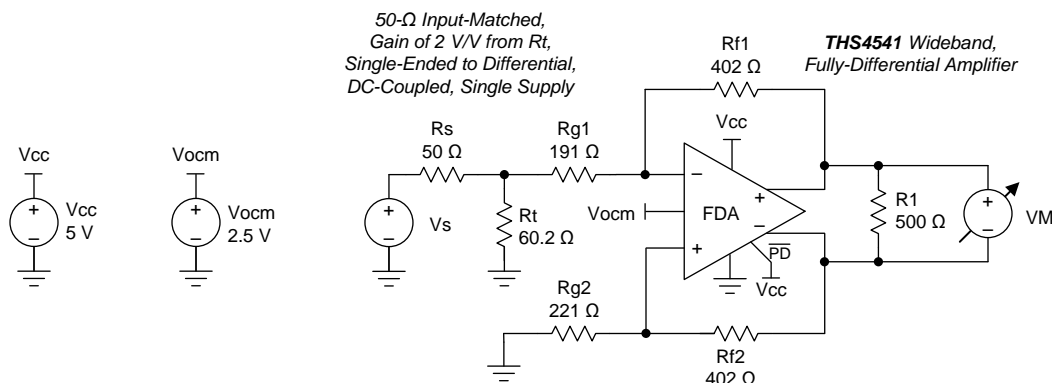
Neglecting any  $G_1$  and  $G_2$  mismatch because of standard values snap, the conversion gain for these two terms can be recast in terms of the nominal  $R_f / R_g \equiv G$ , and tolerance  $T$ , as shown in [Equation 5](#). As  $G$  increases, this conversion gain approaches  $4T$ , as a worst-case gain for these terms to output differential offset.

$$\frac{V_{od}}{V_{ocm}} = \frac{G}{(1 + G)} \cdot \frac{4T}{(1 - T^2)} \quad (5)$$

### Output DC Error and Drift Calculations and the Effect of Resistor Imbalances (continued)

This conversion gain to differential output error is applied to two error terms: Vocm, assuming the input control pin is driven and not floating, and the source Vicm voltage. The source common-mode voltage is assumed to be 0 V in this example. If not, apply this gain to the source common-mode value or range in the intended application.

As a full example of using these terms to estimate the worst-case output 25°C error band, and then the worst-case drift (by adding all the error terms together independently), use the gain of 2 V/V configuration of Figure 63 with Rf = 402 Ω, and assume ±1% tolerance on the resistors with the standard values used in Figure 69.



**Figure 69. DC-Coupled Gain of 2 with Rf = 402 Ω and a Single-Ended to Differential Matched Input 50-Ω Impedance**

The standard value snap on the signal-input side actually produces added G mismatch along with the resistor tolerances. For Figure 69,  $G_2 = 402 / 221 = 1.819$ ; and  $G_1 = 402 / 218.3 = 1.837$  nominally, with a ±2% tolerance around this initial mismatch for G2 and G1, if 1% resistors are used.

Using the maximum 25°C error terms, and a nominal 2.5-V input to the Vocm control pin, gives Table 3 with the error terms, the gains to the output differential error (Vod), and then the summed output error band at 25°C.

**Table 3. Worst-Case Output Vod Error Band**

ERROR TERM	25°C MAXIMUM VALUE	GAIN TO Vod	OUTPUT ERROR
Input Vio	±0.45 mV	2.85 V/V	±1.2825 mV
Input Ios	±0.5 μA	402 Ω	±0.201 mV
Input Ibcm, Rf mismatch	13 μA	±8.04 Ω	±0.105 mV
Vocm input, G mismatch	2.5 V	±0.0322	±80.5 mV
Total			±82.09 mV

The 0.03222 conversion gain for the G ratio mismatch is the worst case, starting from the initially higher G1 value because of standard value snap, and using a ±1% tolerance on the Rf and Rg elements of that ratio. The actual Vocm conversion gain range is not symmetric, but is shown that way here. The initial 25°C worst-case error band is dominated by the Vocm conversion to Vod through the feedback resistor ratio mismatch. Improve this G match and tolerances to reduce this term.

Normally, the expected drift in the output  $V_{od}$  is of more interest than an initial error band. Table 4 shows these terms and the summed results, adding all the terms independently to obtain a worst-case drift.

**Table 4. Worst-Case Output  $V_{od}$  Drift Band**

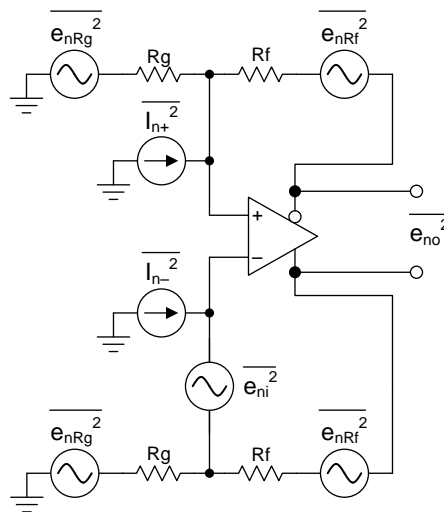
ERROR TERM	DRIFT MAXIMUM VALUE	GAIN TO $V_{od}$	OUTPUT ERROR
Input $V_{io}$	$\pm 2.4 \mu V/^{\circ}C$	2.85 V/V	$\pm 6.84 \mu V/^{\circ}C$
Input $I_{os}$	$\pm 1.3 nA/^{\circ}C$	402 $\Omega$	$\pm 0.522 \mu V/^{\circ}C$
Input $I_{bcm}$ , $R_f$ mismatch	15 nA/ $^{\circ}C$	$\pm 8.04 \Omega$	$\pm 0.121 \mu V/^{\circ}C$
$V_{ocm}$ input, G mismatch	$\pm 12 \mu V/^{\circ}C$	$\pm 0.0322$	$\pm 0.386 \mu V/^{\circ}C$
Total			$\pm 7.86 \mu V/^{\circ}C$

In this calculation, the input offset voltage drift dominates the output differential offset drift. For the last term, the drift for the  $V_{ocm}$  path is just for the internal offset drift of the common-mode path. Make sure to also consider the added external drift on the source of the  $V_{ocm}$  input.

The absolute accuracy and drift for the THS4541-Q1 are exceptionally good. Mismatched resistor feedback ratios combined with a high drift in the  $V_{ocm}$  control input can actually dominate the output  $V_{od}$  drift. Where the output differential precision is more important than the input matching accuracy, consider matching the networks on the two input sides to achieve improved nominal G1 to G2 match. The gains for the input bias current error terms are relatively low in this example design using 402- $\Omega$  feedback values. Higher  $R_f$  values give these terms more gain. A less conservative estimate of output drift considers the terms to be uncorrelated and RMS half of each terms worst-case span shown in Table 4. Performing this calculation for this example estimates a less conservative output offset drift of  $\pm 3.42 \mu V/^{\circ}C$ ; essentially, half the worst-case span of the input offset drift term. Follow these steps to estimate the output differential offset and drift for any external configuration.

### 8.5 Noise Analysis

The first step in the output noise analysis is to reduce the application circuit to its simplest form with equal feedback and gain setting elements to ground, as shown in Figure 70, with the FDA and resistor noise terms to be considered.



**Figure 70. FDA Noise-Analysis Circuit**

The noise powers are shown for each term. When the  $R_f$  and  $R_g$  terms are matched on each side, the total differential output noise is the RSS of these separate terms. Using  $NG \equiv 1 + R_f / R_g$ , the total output noise is given by Equation 6. Each resistor noise term is a  $4kTR$  power.

$$e_{no} = \sqrt{(e_{ni}NG)^2 + 2(i_nRf)^2 + 2(4kTRfNG)} \tag{6}$$

## Noise Analysis (continued)

The first term is simply the differential input spot noise times the noise gain. The second term is the input current noise terms times the feedback resistor (and because there are two terms, the power is two times one of the terms). The last term is the output noise resulting from both the Rf and Rg resistors, again times two, for the output noise power of each side added together. Using the exact values for a 50-Ω, matched, single-ended to differential gain, sweep with a fixed Rf = 402 Ω (see [Table 6](#)) and the intrinsic noise  $e_{ni} = 2.2$  nV and  $I_n = 1.9$  pA for the THS4541-Q1, gives an output spot noise from [Equation 6](#). Then, dividing by the signal gain (Av) gives the input-referred, spot-noise voltage ( $e_i$ ) shown in [Table 5](#).

**Table 5. Swept Gain Output and Input-Referred, Spot-Noise Calculations<sup>(1)</sup>**

Av	Rt, EXACT (Ω)	Rg1, EXACT (Ω)	Rg2, EXACT (Ω)	NOISE GAIN	$e_{no}$ (nV/√Hz)	$e_i$ (nV/√Hz)
1	55.2	399	425	1.94	6.64	6.64
2	60.1	191	218	2.85	8.71	4.36
3	65.6	124	153	3.63	10.7	3.56
4	72	89.7	119	4.37	12.1	3.03
5	79.7	67.8	98.3	5.09	13.7	2.74
6	89.1	54.2	86.5	5.65	15.4	2.56
7	101	43.2	76.6	6.25	16.7	2.39
8	117	35.2	70.1	6.74	17.3	2.16
9	138	29.0	65.8	7.11	18.6	2.06
10	170	23.6	62.5	7.44	18.9	1.89
11	220	18.7	59.3	7.78	19.6	1.78
12	313	14.6	57.7	7.97	20.0	1.66
13	545	10.8	56.6	8.11	20.3	1.56
14	2209	7.26	56.1	8.16	21.1	1.50

(1) Rf = 402 Ω.

Notice that the input-referred  $e_i$  is less than 2.2 nV/√Hz for just the THS4541-Q1 above a gain of 7 V/V. This result is because NG is less than Av when the source impedance is included in the NG calculation.

## 8.6 Factors Influencing Harmonic Distortion

As shown in the swept frequency harmonic distortion plots, the THS4541-Q1 provides extremely low distortion at lower frequencies. In general, FDA output harmonic distortion mainly relates to the open-loop linearity in the output stage corrected by the loop gain at the fundamental frequency. As the total load impedance decreases (including the effect of the feedback resistor elements in parallel for loading purposes), the output-stage, open-loop linearity degrades, increasing the harmonic distortion, as illustrated in [Figure 16](#) and [Figure 34](#). As the output voltage swings increase, very fine-scale, open-loop, output-stage nonlinearities increase, also degrading the harmonic distortion, as illustrated in [Figure 14](#) and [Figure 32](#). Conversely, decreasing the target output voltage swings drops the distortion terms rapidly. For harmonic-distortion testing, 2 V<sub>PP</sub> is used as a nominal swing because this value represents a typical ADC, full-scale, differential input range.

Increasing the gain acts to decrease the loop gain, resulting in the increasing harmonic distortion terms, as illustrated in [Figure 18](#) and [Figure 36](#). One advantage to the capacitive compensation for the attenuator design (described in the [Designing Attenuators](#) typical application example) is that the noise gain is shaped up with frequency to achieve a crossover at an acceptable phase margin at higher frequencies. This compensation holds the loop gain high at frequencies lower than the noise-gain zero, improving distortion in these lower bands.

Anything that moves the output pin voltage swings close to clipping into the supplies rapidly degrades harmonic distortion. Output clipping can occur from either absolute differential swing, or the swing can be moved closer to the supplies with the common-mode control. This effect is illustrated in [Figure 17](#) and [Figure 35](#).

The THS4541-Q1 does an exceptional job of converting from single-ended inputs to differential outputs with very low harmonic distortions. External resistors of 1% tolerance are used in characterization with good results. Imbalancing the feedback divider ratios does not degrade distortion directly. Imbalanced feedback ratios convert common-mode inputs to differential mode at the outputs with the gain described in the [Output DC Error and Drift Calculations and the Effect of Resistor Imbalances](#) section.

### 8.7 Driving Capacitive Loads

A very common requirement is driving the capacitive load of an ADC or some other next stage device. Directly driving a capacitive load with a closed-loop amplifier such as the THS4541-Q1 can lead to an unstable response, as shown in the step response plots into a capacitive load (see Figure 8 and Figure 26). One typical remedy for this instability is to add two small series resistors ( $R_o$  in Figure 71) at the outputs of the THS4541-Q1. Figure 6 and Figure 24 provide parametric plots of recommended  $R_o$  values versus differential capacitive load values and gain.

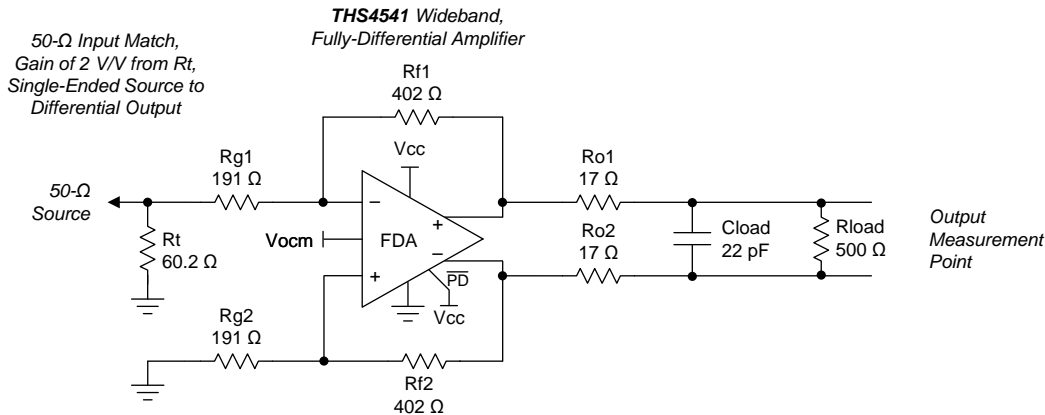


Figure 71. Including  $R_o$  when Driving Capacitive Loads

Operating at higher gains requires lower  $R_o$  values to achieve a  $\pm 0.5$ -dB flat response for the same capacitive load. Some direct parasitic loading is acceptable with no series  $R_o$  that increases with gain setting, as illustrated in Figure 6 and Figure 24 where the  $R_o$  value is 0  $\Omega$ . Even when these plots suggest no series  $R_o$  is required, good practice is to include a place for the  $R_o$  elements in the board layout (0- $\Omega$  load initially) for later adjustment, in case the response appears unacceptable. The TINA simulation model does a good job of predicting this effect and showing the impact for different choices of capacitive load isolating resistors ( $R_o$ ).

### 8.8 Thermal Analysis

The relatively low internal quiescent power dissipation for the THS4541-Q1, combined with the excellent thermal impedance of the 16-pin VQFN (RGT) package, limits the possibility of excessively-high, internal-junction temperatures.

To estimate the internal junction temperature ( $T_J$ ), an estimate of the maximum internal power dissipation ( $P_D$ ) is first required. There are two pieces to the internal power dissipation: quiescent current power and the power used in the output stage to deliver load current. To simplify the latter, the worst-case, output-stage power is driving a DC differential voltage across a load using half the total supply voltage. As an example:

1. Assume a worst-case, 5% high 5-V supply. This 5.25-V supply with a maximum  $I_{CC}$  of 11 mA gives a quiescent power term = 58 mW.
2. Assume a 100- $\Omega$  differential load with a static 2.5-V differential voltage established across it. This 25 mA of DC load current generates a maximum output stage power of  $(5.25\text{ V} - 2.5\text{ V}) \times 25\text{ mA} = 69\text{ mW}$ .
3. From this total worst-case internal  $P_D = 127\text{ mW}$ , multiply times the  $52^\circ\text{C/W}$  thermal impedance to get a  $7^\circ\text{C}$  rise from ambient.

Even for this extreme condition and the maximum rated ambient temperature of  $125^\circ\text{C}$ , the junction temperature is a maximum  $132^\circ\text{C}$  (less than the rated absolute maximum of  $150^\circ\text{C}$ ). Follow this same calculation sequence for the exact application and package selected to predict the maximum  $T_J$ .



## 9 Detailed Description

### 9.1 Overview

The THS4541-Q1 is a voltage-feedback (VFA) based, fully-differential amplifier (FDA) offering greater than 500-MHz, small-signal bandwidth at a gain of 2 V/V with trimmed supply current and input offset voltage. The core differential amplifier is a slightly decompensated voltage-feedback design with a high slew-rate, precision input stage. This design gives the 500-MHz gain of 2-V/V small-signal bandwidth shown in the characterization curves, with a 1500-V/ $\mu$ s slew rate, yielding approximately a 340-MHz, 2- $V_{PP}$ , large-signal bandwidth in the same circuit configuration.

The outputs offer near rail-to-rail output swing (0.2-V headroom to either supply), while the device inputs are negative rail inputs with approximately 1.2 V of headroom required to the positive supply. This negative rail input directly supports a bipolar input around ground in a DC-coupled, single-supply design (see [Figure 63](#)). Similar to all FDA devices, the output average voltage (common-mode) is controlled by a separate common-mode loop. The target for this output average is set by the Vocm input pin that can be either floated to default near midsupply or driven to a desired output common-mode voltage. The Vocm range extends from a very low 0.91 V above the negative supply to 1.1 V below the positive supply, supporting a wide range of modern analog-to-digital converter (ADC) input common-mode requirements using a single 2.7-V to 5.4-V supply range for the THS4541-Q1.

A power-down pin ( $\overline{PD}$ ) is included. Pull the  $\overline{PD}$  pin voltage to the negative supply to turn the device off, putting the THS4541-Q1 into a very-low quiescent current state. For normal operation, the  $\overline{PD}$  pin must be asserted high. When the device is disabled, remember that the signal path is still present through the passive external resistors. Input signals applied to a disabled THS4541-Q1 still appear at the outputs at some level through this passive resistor path as they would for any disabled FDA device.

#### 9.1.1 Terminology and Application Assumptions

Like all widely-used devices, numerous common terms have developed that are unique to this type of device. These terms include:

- Fully differential amplifier (FDA)—In this document, this term is restricted to devices offering what appears similar to a differential inverting op amp design element that requires an input resistor (not high-impedance input) and includes a second internal control-loop setting the output average voltage (Vocm) to a default or set point. This second loop interacts with the differential loop in some configurations.
- The desired output signal at the two output pins is a *differential* signal swinging symmetrically around a *common-mode* voltage where that is the average voltage for the two outputs.
- Single-ended to differential—always use the outputs differentially in an FDA; however, the source signal can be either a single-ended source or differential, with a variety of implementation details for either. When the FDA operation is single-ended to differential, only one of the two input resistors receives the source signal with the other input resistor connected to a DC reference (often ground) or through a capacitor to ground.

To simplify, several features in the application of the THS4541-Q1 are not explicitly stated, but are necessary for correct operation. These requirements include:

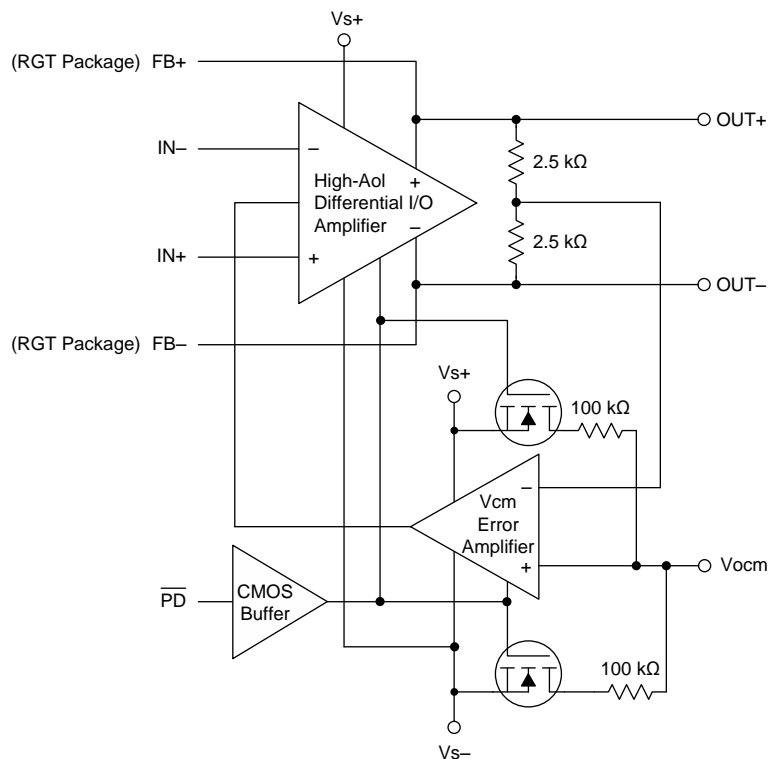
- Good power-supply decoupling is required. Minimize the distance (< 0.1") from the power-supply pins to high-frequency, 0.1- $\mu$ F decoupling capacitors. Often a larger capacitor (2.2  $\mu$ F is typical) is used along with a high-frequency, 0.1- $\mu$ F supply decoupling capacitor at the device supply pins (share this capacitor for the four supply pins in the package). For single-supply operation, only the positive supply has these capacitors. When a split supply is used, use these capacitors for each supply to ground. If necessary, place the larger capacitors somewhat farther from the device and share these capacitors among several devices in the same area of the PCB. For each THS4541-Q1, attach a separate 0.1- $\mu$ F capacitor to a nearby ground plane. With cascaded or multiple parallel channels, including ferrite beads from the larger capacitor is often useful to the local high-frequency decoupling capacitor.
- Minimize the distance (< 0.1") from the power-supply pins to high-frequency, 0.1- $\mu$ F decoupling capacitors. At the device pins, the ground and power plane layout should not be in close proximity to the signal I/O pins. Avoid narrow power and ground traces to minimize inductance between the pins and the decoupling capacitors. The power-supply connections (on pins 4 and 7) should always be decoupled with these capacitors. An optional supply decoupling capacitor across the two power supplies (for bipolar operation) improves 2nd-harmonic distortion performance. Larger (2.2 $\mu$ F to 6.8 $\mu$ F) decoupling capacitors, effective at lower frequency, should also be used on the main supply pins. These can be placed somewhat farther from

## Overview (continued)

the device and may be shared among several devices in the same area of the PCB.

- Although not always stated, make sure to tie the power disable pin to the positive supply when only an enabled channel is desired.
- Virtually all AC characterization equipment expects a 50-Ω termination from the 50-Ω source, and a 50-Ω single-ended source impedance from the device outputs to the 50-Ω sensing termination. This termination is achieved in all characterizations (often with some insertion loss), but is not necessary for most applications. Matching impedance is most often required when transmitting over longer distances. Tight layouts from a source, through the THS4541-Q1, and on to an ADC input do not require doubly-terminated lines or filter designs; the exception is if the source requires a defined termination impedance for correct operation (for example, a SAW filter source).
- The amplifier signal path is flexible for single or split-supply operation. Most applications are intended to be single supply, but any split-supply design can be used, as long as the total supply across the TH4541 is less than 5.5 V and the required input, output, and common-mode pin headrooms to each supply are observed. Left open, the Vcm pin defaults to near midsupply for any combination of split or single supplies used. The disable pin is negative-rail referenced. Using a negative supply requires the disable pin to be pulled down to within 0.7 V of the negative supply to disable the amplifier.
- External element values are normally assumed to be accurate and matched. In an FDA, match the feedback resistor values and also match the (DC and AC) impedance from the summing junctions to the source on one side and the reference or ground on the other side. Unbalancing these values introduces nonidealities in the signal path. For the signal path, imbalanced resistor ratios on the two sides create a common-mode to differential conversion. Also, mismatched Rf values and feedback ratios create some added differential output error terms from any common-mode DC, ac signal, or noise terms. Snapping to standard 1% resistor values is a typical approach and generally leads to some nominal feedback ratio mismatch. Mismatched resistors or ratios do not in themselves degrade harmonic distortion. If there is meaningful CM noise or distortion coming in, those errors are converted to a differential error through element or ratio mismatch.

## 9.2 Functional Block Diagram



## 9.3 Feature Description

### 9.3.1 Differential I/O

The THS4541-Q1 combines a core differential I/O, high-gain block with an output common-mode sense that is compared to a reference voltage and then fed back into the main amplifier block to control the average output to that reference. The differential I/O block is a classic, high open-loop gain stage with a dominant pole at approximately 900 Hz. This voltage feedback structure projects a single-pole, unity-gain Aol at 850 MHz (gain bandwidth product). The high-speed differential outputs include an internal averaging resistor network to sense the output common-mode voltage. This voltage is compared by a separate Vcm error amplifier to the voltage on the Vocm pin. If floated, this reference is at half the total supply voltage across the device using two 100-kΩ resistors. This Vcm error amplifier transmits a correction signal into the main amplifier to force the output average voltage to meet the target voltage on the Vocm pin. The bandwidth of this error amplifier is approximately the same bandwidth as the main differential I/O amplifier.

The differential outputs are collector outputs to obtain the rail-to-rail output swing. These outputs are relatively high-impedance, open-loop sources; however, closing the loop provides a very low output impedance for load driving. No output current limit or thermal shutdown features are provided in this lower-power device. The differential inputs are PNP inputs to provide a negative-rail input range.

To operate the THS4541-Q1, connect external resistors from the FB– pin to the IN+ pins, and the FB+ pin to the IN– pins. Bring in the inputs through additional resistors to the IN+ and IN– pins. The differential I/O op amp operates similarly to an inverting op amp structure where the source must drive the input resistor and the gain is the ratio of the feedback to the input resistor.

### 9.3.2 Power-Down Control Pin ( $\overline{\text{PD}}$ )

The THS4541-Q1 includes a power-down control pin,  $\overline{\text{PD}}$ . This pin must be asserted high for correct amplifier operation. The  $\overline{\text{PD}}$  pin cannot be floated because there is no internal pullup or pulldown resistor on this pin to reduce disabled power consumption. Asserting this pin low (within 0.7 V of the negative supply) puts the THS4541-Q1 into a very low quiescent state (approximately 2 μA). Switches in the default Vocm resistor string open to eliminate the fixed bias current (25 μA) across the supply in this 200-kΩ voltage divider to midsupply.

#### 9.3.2.1 Operating the Power Shutdown Feature

Assert this CMOS input pin to the desired voltage for operation. For applications that require the device to only be powered on when the supplies are present, tie the  $\overline{\text{PD}}$  pin to the positive supply voltage.

When the  $\overline{\text{PD}}$  pin is somewhat below the positive supply pin, slightly more quiescent current is drawn; see [Figure 56](#). For the minimum-on power, assert this pin to the positive supply.

The disable operation is referenced from the negative supply; normally, ground. For split-supply operation, with the negative supply below ground, a disable control voltage below ground is required to turn the THS4541-Q1 off when the negative supply exceeds –0.7 V.

For single-supply operation, a minimum of 1.7 V above the negative supply (ground, in this case) is required to assure operation. This minimum logic-high level allows for direct operation from 1.8-V supply logic.

### 9.3.3 Input Overdrive Operation

The THS4541-Q1 input stage architecture is intrinsically robust to input overdrives with the series input resistor required by all applications. High input overdrives cause the outputs to limit into their maximum swings with the remaining input current through the Rg resistors absorbed by internal, back-to-back protection diodes across the two inputs. These diodes are normally off in application, and only turn on to absorb the currents that a large input overdrive might produce through the source impedance and or the series Rg elements required by all designs. [Figure 12](#) and [Figure 30](#) illustrate the exceptional output limiting and short recovery time for an input overdrive that is attempting to drive the outputs to two times the available swing.

The internal input diodes can safely absorb up to ±15 mA in an overdrive condition. For designs that require more current to be absorbed, consider adding an external protection diode such as the BAV99 device used in the example ADC interface design of [Figure 80](#).

## 9.4 Device Functional Modes

This wideband FDA requires external resistors for correct signal-path operation. When configured for the desired input impedance and gain setting with these external resistors, the amplifier can be either *on* with the PD pin asserted to a voltage greater than  $(V_{S-}) + 1.7\text{ V}$ , or turned *off* by asserting PD low. Disabling the amplifier shuts off the quiescent current and stops correct amplifier operation. The signal path is still present for the source signal through the external resistors.

The Vocm control pin sets the output average voltage. Left open, Vocm defaults to an internal midsupply value. Driving this high-impedance input with a voltage reference within its valid range sets a target for the internal Vcm error amplifier.

### 9.4.1 Operation from Single-Ended Sources to Differential Outputs

One of the most useful features supported by the FDA device is an easy conversion from a single-ended input to a differential output centered on a user-controlled, common-mode level. While the output side is relatively straightforward, the device input pins move in a common-mode sense with the input signal. This common-mode voltage at the input pins moving with the input signal acts to increase the apparent input impedance to be greater than the  $R_g$  value. This input active impedance issue applies to both AC- and DC-coupled designs, and requires somewhat more complex solutions for the resistors to account for this active impedance, as shown in the following subsections.

#### 9.4.1.1 AC-Coupled Signal Path Considerations for Single-Ended Input to Differential Output Conversion

When the signal path can be AC coupled, the DC biasing for the THS4541-Q1 becomes a relatively simple task. In all designs, start by defining the output common-mode voltage. The AC-coupling issue can be separated for the input and output sides of an FDA design. The input can be AC coupled and the output DC coupled, or the output can be AC coupled and the input DC coupled, or they can both be AC coupled. One situation where the output might be DC coupled (for an AC-coupled input), is when driving directly into an ADC where the Vocm control voltage uses the ADC common-mode reference to directly bias the FDA output common-mode to the required ADC input common-mode. In any case, the design starts by setting the desired Vocm. When an AC-coupled path follows the output pins, the best linearity is achieved by operating Vocm at midsupply. The Vocm voltage must be within the linear range for the common-mode loop, as specified in the headroom specifications (approximately 0.91 V greater than the negative supply and 1.1 V less than the positive supply). If the output path is also AC coupled, simply letting the Vocm control pin float is usually preferred in order to get a midsupply default Vocm bias with minimal elements. To limit noise, place a 0.1- $\mu\text{F}$  decoupling capacitor on the Vocm pin to ground.

After Vocm is defined, check the target output voltage swing to ensure that the Vocm plus the positive or negative output swing on each side does not clip into the supplies. If the desired output differential swing is defined as  $V_{opp}$ , divide by 4 to obtain the  $\pm V_p$  swing around Vocm at each of the two output pins (each pin operates 180° out of phase with the other). Check that Vocm  $\pm V_p$  does not exceed the absolute supply rails for this rail-to-rail output (RRO) device.

Going to the device input pins side, because both the source and balancing resistor on the nonsignal input side are DC blocked (see [Figure 61](#)), no common-mode current flows from the output common-mode voltage, thus setting the input common-mode equal to the output common-mode voltage.

This input headroom also sets a limit for higher Vocm voltages. Because the input Vicm is the output Vocm for AC-coupled sources, the 1.2-V minimum headroom for the input pins to the positive supply overrides the 1.1-V headroom limit for the output Vocm. Also, the input signal moves this input Vicm around the DC bias point, as described in the [Resistor Design Equations for the Single-Ended to Differential Configuration of the FDA](#) section.

#### 9.4.1.2 DC-Coupled Input Signal Path Considerations for Single-Ended to Differential Conversion

The output considerations remain the same as for the AC-coupled design. Again, the input can be DC coupled while the output is AC coupled. A DC-coupled input with an AC-coupled output might have some advantages to move the input Vicm down if the source is ground referenced. When the source is DC coupled into the THS4541-Q1 (see [Figure 63](#)), both sides of the input circuit must be DC coupled to retain differential balance. Normally, the nonsignal input side has an  $R_g$  element biased to whatever the source midrange is expected to be. Providing this midscale reference gives a balanced differential swing around Vocm at the outputs. Often,  $R_{g2}$  is simply

## Device Functional Modes (continued)

grounded for DC-coupled, bipolar-input applications. This configuration gives a balanced differential output if the source is swinging around ground. If the source swings from ground to some positive voltage, grounding Rg2 gives a unipolar output differential swing from both outputs at Vocm (when the input is at ground) to one polarity of swing. Biasing Rg2 to an expected midpoint for the input signal creates a differential output swing around Vocm.

One significant consideration for a DC-coupled input is that Vocm sets up a common-mode bias current from the output back through Rf and Rg to the source on both sides of the feedback. Without input balancing networks, the source must sink or source this DC current. After the input signal range and biasing on the other Rg element is set, check that the voltage divider from Vocm to Vin through Rf and Rg (and possibly Rs) establishes an input Vicm at the device input pins that is in range. If the average source is at ground, the negative rail input stage for the THS4541-Q1 is in range for applications using a single positive supply and a positive output Vocm setting because this DC current lifts the average FDA input summing junctions up off of ground to a positive voltage (the average of the V+ and V– input pin voltages on the FDA).

### 9.4.1.3 Resistor Design Equations for the Single-Ended to Differential Configuration of the FDA

The design equations for setting the resistors around an FDA to convert from a single-ended input signal to differential output can be approached from several directions. Here, several critical assumptions are made to simplify the results:

- The feedback resistors are selected first and set equal on the two sides.
- The DC and AC impedances from the summing junctions back to the signal source and ground (or a bias voltage on the nonsignal input side) are set equal to retain feedback divider balance on each side of the FDA

Both of these assumptions are typical and aimed to delivering the best dynamic range through the FDA signal path.

After the feedback resistor values are chosen, the aim is to solve for the Rt (a termination resistor to ground on the signal input side), Rg1 (the input gain resistor for the signal path), and Rg2 (the matching gain resistor on the nonsignal input side); see [Figure 61](#) and [Figure 63](#). The same resistor solutions can be applied to either AC- or DC-coupled paths. Adding blocking capacitors in the input-signal chain is a simple option. Adding these blocking capacitors after the Rt element (as shown in [Figure 61](#)) has the advantage of removing any DC currents in the feedback path from the output Vocm to ground.

Earlier approaches to the solutions for Rt and Rg1 (when the input must be matched to a source impedance, Rs) follow an iterative approach. This complexity arises from the active input impedance at the Rg1 input. When the FDA is used to convert a single-ended signal to differential, the common-mode input voltage at the FDA inputs must move with the input signal to generate the inverted output signal as a current in the Rg2 element. A more recent solution is shown as [Equation 7](#), where a quadratic in Rt can be solved for an exact required value. This quadratic emerges from the simultaneous solution for a matched input impedance and target gain. The only inputs required are:

1. The selected Rf value.
2. The target voltage gain (Av) from the input of Rt to the differential output voltage.
3. The desired input impedance at the junction of Rt and Rg1 to match Rs.

Solving this quadratic for Rt starts the solution sequence, as shown in [Equation 7](#).

$$R_t^2 - R_t \frac{2R_s \left( 2R_f + \frac{R_s}{2} A_v^2 \right)}{2R_f(2 + A_v) - R_s A_v(4 + A_v)} - \frac{2R_f R_s^2 A_v}{2R_f(2 + A_v) - R_s A_v(4 + A_v)} = 0 \quad (7)$$

Being a quadratic, there are limits to the range of solutions. Specifically, after Rf and Rs are chosen, there is physically a maximum gain beyond which [Equation 7](#) starts to solve for negative Rt values (if input matching is a requirement). With Rf selected, use [Equation 8](#) to verify that the maximum gain is greater than the desired gain.

$$A_{v_{\max}} = \left( \frac{R_f}{R_s} - 2 \right) \cdot \left[ 1 + \sqrt{1 + \frac{4 \frac{R_f}{R_s}}{\left( \frac{R_f}{R_s} - 2 \right)^2}} \right] \quad (8)$$

**Device Functional Modes (continued)**

If the achievable  $A_{v_{max}}$  is less than desired, increase the  $R_f$  value. After  $R_t$  is derived from Equation 7, the  $R_{g1}$  element is given by Equation 9:

$$R_{g1} = \frac{2 \frac{R_f}{A_v} - R_s}{1 + \frac{R_s}{R_t}} \quad (9)$$

Then, the simplest approach is to use a single  $R_{g2} = R_t \parallel R_s + R_{g1}$  on the nonsignal input side. Often, this approach is shown as the separate  $R_{g1}$  and  $R_s$  elements. Using these separate elements provides a better divider match on the two feedback paths, but a single  $R_{g2}$  is often acceptable. A direct solution for  $R_{g2}$  is given as Equation 10:

$$R_{g2} = \frac{2 \frac{R_f}{A_v}}{1 + \frac{R_s}{R_t}} \quad (10)$$

This design proceeds from a target input impedance matched to  $R_s$ , signal gain  $A_v$  from the matched input to the differential output voltage, and a selected  $R_f$  value. The nominal  $R_f$  value chosen for the THS4541-Q1 characterization is 402  $\Omega$ . As discussed previously, going lower improves noise and phase margin, but reduces the total output load impedance possibly degrading harmonic distortion. Going higher increases the output noise, and might reduce the loop-phase margin because of the feedback pole to the input capacitance, but reduces the total loading on the outputs. Using Equation 8 to Equation 10 to sweep the target gain from 1 to  $A_{v_{max}} < 14.3$  V/V gives Table 6, which shows exact values for  $R_t$ ,  $R_{g1}$ , and  $R_{g2}$ , where a 50- $\Omega$  source must be matched while setting the two feedback resistors to 402  $\Omega$ . One possible solution for 1% standard values is shown, and the resulting actual input impedance and gain with % errors to the targets are also shown in Table 6.

**Table 6. Required Resistors for a Single-Ended to Differential FDA Design Stepping Gain from 1 V/V to 14 V/V<sup>(1)</sup>**

$A_v$	$R_t$ , EXACT ( $\Omega$ )	$R_t$ 1%	$R_{g1}$ , EXACT ( $\Omega$ )	$R_{g1}$ 1%	$R_{g2}$ , EXACT ( $\Omega$ )	$R_{g2}$ 1%	ACTUAL $Z_{IN}$	%ERR TO $R_s$	ACTUAL GAIN	%ERR TO $A_v$
1	55.2	54.9	395	392	421	422	49.731	-0.54%	1.006	0.62%
2	60.1	60.4	193	191	220	221	50.171	0.34%	2.014	0.72%
3	65.6	64.9	123	124	151	150	49.572	-0.86%	2.983	-0.57%
4	72.0	71.5	88.9	88.7	118	118	49.704	-0.59%	4.005	0.14%
5	79.7	80.6	68.4	68.1	99.2	100	50.451	0.90%	5.014	0.28%
6	89.1	88.7	53.7	53.6	85.7	86.6	49.909	-0.18%	6.008	0.14%
7	101	102	43.5	43.2	77.1	76.8	50.179	0.36%	7.029	0.42%
8	117	118	35.5	35.7	70.6	69.8	50.246	0.49%	7.974	-0.32%
9	138	137	28.8	28.7	65.4	64.9	49.605	-0.79%	9.016	0.18%
10	170	169	23.5	23.7	62.0	61.9	50.009	0.02%	9.961	-0.39%
11	220	221	18.8	18.7	59.6	59.0	49.815	-0.37%	11.024	0.22%
12	313	316	14.7	14.7	57.9	57.6	50.051	0.10%	11.995	-0.04%
13	545	549	10.9	11.0	56.7	56.2	49.926	-0.15%	12.967	-0.25%
14	2209	2210	7.26	7.32	56.2	56.2	50.079	0.16%	13.986	-0.10%

(1)  $R_f = 402 \Omega$ ,  $R_s = 50 \Omega$ , and  $A_{v_{MAX}} = 14.32$  V/V.

These equations and design flow apply to any FDA. Using the feedback resistor value as a starting point is particularly useful for current-feedback-based FDAs such as the [LMH6554](#), where the value of these feedback resistors determines the frequency response flatness. Similar tables can be built using the equations provided here for other source impedances,  $R_f$  values, and gain ranges.

Note the extremely low  $R_{g1}$  values at the higher gains. For instance, at a gain of 14 V/V, that 7.32- $\Omega$  standard value is transformed by the action of the common-mode loop moving the input common-mode voltage to appear like a 50- $\Omega$  input match. This active input impedance provides an improved input-referred noise at higher gains; see the [Noise Analysis](#) section. The TINA model correctly shows this actively-set input impedance in the single-ended to differential configuration, and is a good tool to validate the gains, input impedances, response shapes, and noise issues.

#### 9.4.1.4 Input Impedance for the Single-Ended to Differential FDA Configuration

The designs so far have included a source impedance,  $R_s$ , that must be matched by  $R_t$  and  $R_{g1}$ . The total impedance at the junction of  $R_t$  and  $R_{g1}$  for the circuit of [Figure 63](#) is the parallel combination of  $R_t$  to ground, and the  $Z_A$  (active impedance) presented by  $R_{g1}$ . The expression for  $Z_A$ , assuming  $R_{g2}$  is set to obtain the differential divider balance, is given by [Equation 11](#):

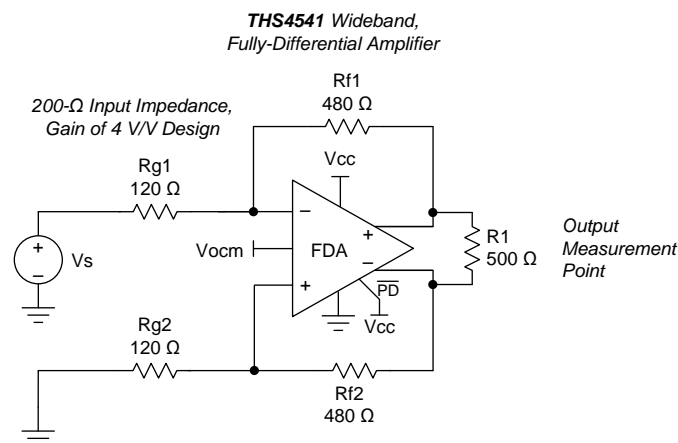
$$Z_A = R_{g1} \frac{\left(1 + \frac{R_{g1}}{R_{g2}}\right) \left(1 + \frac{R_f}{R_{g1}}\right)}{2 + \frac{R_f}{R_{g2}}} \quad (11)$$

For designs that do not need impedance matching, but instead come from the low impedance output of another amplifier for instance,  $R_{g1} = R_{g2}$  is the single-to-differential design used without an  $R_t$  to ground. Setting  $R_{g1} = R_{g2} = R_g$  in [Equation 11](#) gives the input impedance of a simple input FDA driving from a low-impedance, single-ended source to a differential output as shown in [Equation 12](#):

$$Z_A = 2R_g \frac{1 + \frac{R_f}{R_g}}{2 + \frac{R_f}{R_g}} \quad (12)$$

In this case, setting a target gain as  $R_f / R_g \equiv \alpha$ , and then setting the desired input impedance, allows the  $R_g$  element to be resolved first, and then the required  $R_f$  to get the gain. For example, targeting an input impedance of 200  $\Omega$  with a gain of 4 V/V, [Equation 13](#) gives the physical  $R_g$  element. Multiplying this required  $R_g$  value by a gain of 4 gives the  $R_f$  value and the design of [Figure 72](#).

$$R_g = Z_A \frac{2 + \alpha}{2(1 + \alpha)} \quad (13)$$



**Figure 72. 200- $\Omega$  Input Impedance, Single-Ended to Differential DC-Coupled Design with Gain of 4 V/V**

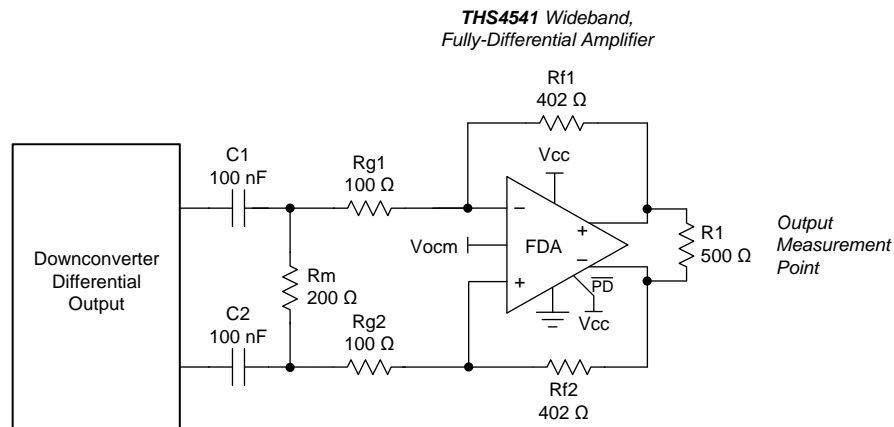
After being designed, this circuit can also be AC coupled by adding blocking caps in series with the two 120- $\Omega$  Rg resistors. This active input impedance has the advantage of increasing the apparent load to the prior stage using lower resistors values, leading to lower output noise for a given gain target.

### 9.4.2 Differential-Input to Differential-Output Operation

In many ways, this method is a much simpler way to operate the FDA from a design equations perspective. Again, assuming the two sides of the circuit are balanced with equal Rf and Rg elements, the differential input impedance is now just the sum of the two Rg elements to a differential inverting summing junction. In these designs, the input common-mode voltage at the summing junctions does not move with the signal, but must be DC biased in the allowable range for the input pins with consideration given to the voltage headroom required from each supply. Slightly different considerations apply to AC- or DC-coupled, differential-in to differential-out designs, as described in the following sections.

#### 9.4.2.1 AC-Coupled, Differential-Input to Differential-Output Design Issues

There are two typical ways to use the THS4541-Q1 with an AC-coupled differential source. In the first method, the source is differential and can be coupled in through two blocking capacitors. The second method uses either a single-ended or a differential source and couples in through a transformer (or balun). Figure 73 shows a typical blocking capacitor approach to a differential input. An optional input differential termination resistor (Rm) is included in this design. This Rm element allows the input Rg resistors to be scaled up while still delivering lower differential input impedance to the source. In this example, the Rg elements sum to show a 200- $\Omega$  differential impedance, while the Rm element combines in parallel to give a net 100- $\Omega$ , AC-coupled, differential impedance to the source. Again, the design proceeds ideally by selecting the Rf element values, then the Rg to set the differential gain, then an Rm element (if needed) to achieve a target input impedance. Alternatively, the Rm element can be eliminated, the Rg elements set to the desired input impedance, and Rf set to get the differential gain ( $= Rf / Rg$ ).



**Figure 73. Example Down-Converting Mixer Delivering an AC-Coupled Differential Signal to the THS4541-Q1**

The DC biasing here is very simple. The output Vocm is set by the input control voltage and, because there is no DC current path for the output common-mode voltage, that DC bias also sets the input pins common-mode operating points.



Transformer input coupling allows either a single-ended or differential source to be coupled into the THS4541-Q1; possibly also improving the input-referred noise figure. These designs assume a source impedance that must be matched in the balun interface. The simplest approach is shown in Figure 74, where an example 1:2 turns ratio step-up transformer is used from a 50-Ω source.

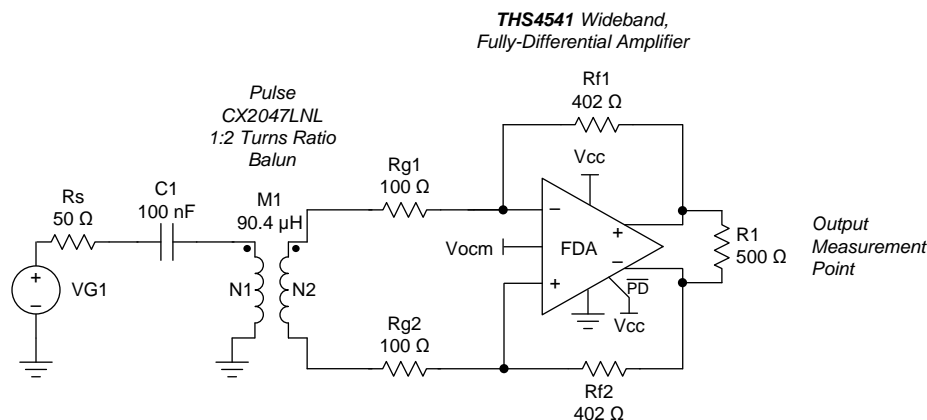


Figure 74. Input Balun Interface Delivers a Differential Input to the THS4541-Q1

In this example, this 1:2 turns ratio step-up transformer provides a source and load match from the 50-Ω source if the secondary is terminated in 200 Ω (turns-ratio squared is the impedance ratio across a balun). The two Rg elements provide that termination as they sum to the differential virtual ground at the FDA summing junctions. The input blocking cap (C1) is optional and included only to eliminate DC shorts to ground from the source. This solution often improves the input-referred noise figure more so than just the FDA using this passive (zero power dissipation) input balun. Defining a few ratios allows a noise figure expression to be written as Equation 14:

$$NF = 10 \cdot \text{Log} \left( 1 + \frac{(1 + \beta^2)}{\beta^2} + \frac{8}{\alpha\beta^2} + \frac{4}{(\alpha\beta)^2} + \frac{\left( \frac{e_{ni}}{\beta n} \cdot \left( \frac{1}{2} + \frac{1}{\alpha} \right) \right)^2 + \frac{1}{2} (n \cdot i_n \cdot R_s)^2}{kTR_s} \right)$$

where

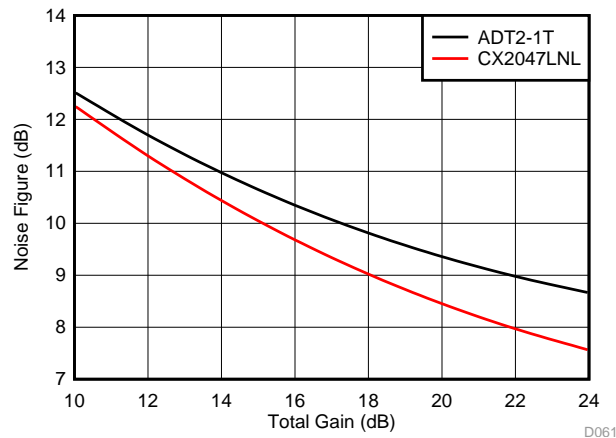
- n ≡ turns ratio (the ohms ratio is then n<sup>2</sup>)
  - α ≡ differential gain in the FDA = Rf / Rg
  - β ≡ transformer insertion loss in V/V (from a dB insertion loss, convert to linear attenuation = β)
  - kT = 4e-21J at 290 K (17°C)
- (14)

One way to use Equation 14 is to fix the input balun selection, and then sweep the FDA gain by stepping up the Rf value. The lowest-noise method uses just the two Rg elements for termination matching (no Rm element, such as in Figure 74) and sweep the Rf values up to assess the resulting input-referred noise figure. While this method can be used with all FDAs and a wide range of input baluns, relatively low-frequency input baluns are an appropriate choice here because the THS4541-Q1 holds exceptional SFDR for less than 40-MHz applications. Two representative selections, with their typical measured spans and resulting model elements, are shown in Table 7. For these two selections, the critical inputs for the noise figures are the turns ratio and the insertion loss (the 0.2 dB for the CX2014LNL becomes a β = 0.977 in the NF expression).

Table 7. Example Input Step-Up Baluns and Associated Parameters

PART NUMBER	Rs (Ω)	-1-dB FREQUENCY (MHz)		INSERTION LOSS (dB)	MFR	NO. OF DECADES		-3-dB FREQUENCY (MHz)		TURNS RATIO	MODEL ELEMENTS			
		MIN	MAX			-1-dB POINTS	-3-dB POINTS	MIN	MAX		L1 (μH)	L2 (μH)	k	M (μH)
ADT2-1T	50	0.1	463	0.3	MiniCircuits	3.67	4.22	0.05	825	1.41	79.57747	158.50797	0.99988	112.19064
CX2047LNL	50	0.083	270	0.2	Pulse Eng	3.51	3.93	0.044	372	2	90.42894	361.71578	0.99976	180.81512

Using the typical input referred noise terms for the THS4541-Q1 ( $e_{ni} = 2.2$  nV and  $i_n = 1.9$  pA) and sweeping the total gain from the input of the balun to the differential output over a 10-dB to 24-dB span, gives the input noise figure shown in Figure 75.



**Figure 75. Noise Figure versus Total Gain with the Two Input Baluns of Table 7**

The 50-Ω referred noise figure estimates show a decreasing input-referred noise for either balun as the gain increases through 24 dB. The only elements changing in these sweeps are the feedback-resistor values, in order to achieve the total target gain after the step up from the input balun. The example of Figure 74 is a gain of 7.86 V/V, or a 17.9-dB gain where a 9.0-dB input noise figure is predicted from Figure 75. Another advantage for this method is that the effective noise gain (NG) is reduced by the source impedance appearing as part of the total R<sub>g</sub> element in the design. The example of Figure 74 operates with a  $NG = 1 + 402 / (100 + 100) = 3$  V/V, giving greater than 300-MHz SSBW in the THS4541-Q1 portion of the design. Combining that with the 372 MHz in the balun itself gives greater than 200 MHz in this 18-dB gain stage; or an equivalent greater than 1.6-GHz gain bandwidth product in a low-power, high dynamic range interface.

Added features and considerations for the balun input of Figure 74 include:

- Many of these baluns offer a secondary centertap. Leave the centertap unconnected for the best HD2 suppression and DC biasing (do not include a capacitor from this centertap to ground).
- With a floating secondary centertap, the input pins common-mode voltage again equals the output V<sub>ocm</sub> setting because there is no DC path for the output common-mode voltage to create a common-mode current ( $I_{CM}$ ).

### 9.4.2.2 DC-Coupled, Differential-Input to Differential-Output Design Issues

Operating the THS4541-Q1 with a DC-coupled differential input source is very simple and only requires that the input pins stay in range of the DC common-mode operating voltage. One example is a DC-to-50-MHz quadrature down-converter output. These outputs typically sit on a DC level with some internal source impedance to the external loads. The example of [Figure 76](#) shows a design using the THS4541-Q1 with a simple, passive RLC filter to the inputs (the Rg elements act as the differential termination for the filter design). From the original source behind the internal 250-Ω outputs, this circuit is a gain of 1 to the THS4541-Q1 output pins. The DC common-mode operating voltage level shifts from the 1.2-V internal, to the mixer, to an output at the ADC Vcm voltage of 0.95 V. In this case, a simple average of the two DC voltages in the gain of 1 stage gives a 1.08-V input pin common-mode result that is well within range.

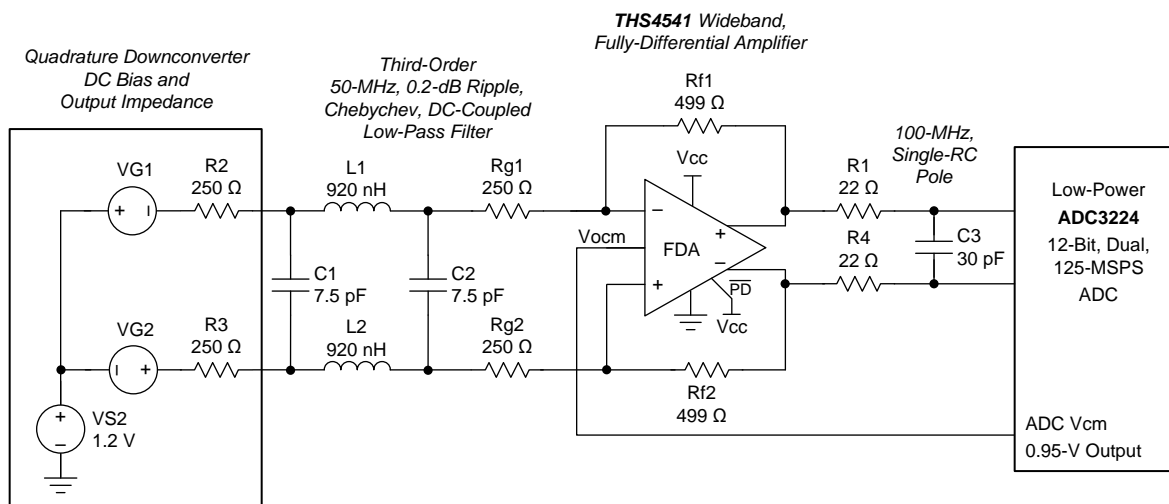


Figure 76. Example DC-Coupled, Differential I/O Design from a Quadrature Mixer to an ADC

## 10 Application and Implementation

### NOTE

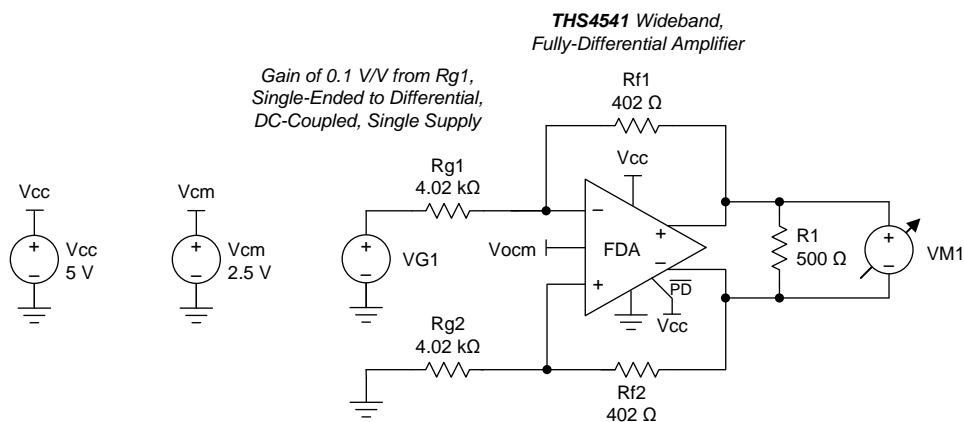
Information in the following applications sections is not part of the TI component specification, and TI does not warrant its accuracy or completeness. TI's customers are responsible for determining suitability of components for their purposes. Customers should validate and test their design implementation to confirm system functionality.

### 10.1 Application Information

The THS4541-Q1 offers an effective solution over a broad range of applications. Two examples are developed here. First, an attenuator stage that directly receives a higher input signal voltage and translates it to a lower differential swing on a fixed common-mode is shown. This design requires some attention to frequency-response flatness issues, and one approach to managing these issues is shown. The second example is a gain of 2 V/V, matched input of 50 Ω to an output set to 0.95 V common-mode followed by a third-order Bessel filter with approximately 20 MHz of bandwidth feeding into the [ADC34J22](#), a low-power, 12-bit, quad 50-MSPS JESD 204B ADC.

### 10.2 Typical Applications

#### 10.2.1 Designing Attenuators



**Figure 77. Divide-by-10 Attenuator Application for the THS4541-Q1**

#### 10.2.1.1 Design Requirements

In this design, the aim is to:

1. Present a 4-kΩ input impedance to a ±40-V input signal (maximum ±10 mA from the prior stage).
2. Attenuate that swing by a factor 1/10 (–20 dB) to a differential output swing.
3. Place that swing on a 2.5-V common-mode voltage at the THS4541-Q1 outputs.
4. Operate on a single +5-V supply and ground.
5. Tune the frequency response to a flat Butterworth response with external capacitors.

## Typical Applications (continued)

### 10.2.1.2 Detailed Design Procedure

Operating the THS4541-Q1 at a low DC noise gain, or with higher feedback resistors, can cause a lower phase margin to exist, giving the response peaking shown in [Figure 1](#) for the gain of 0.1 (a 1/10 attenuator) condition. Although it is often useful operating the THS4541-Q1 as an attenuator (taking a large input range to a purely differential signal around a controlled-output, common-mode voltage), the response peaking illustrated in [Figure 1](#) is usually undesirable. Several methods can be used to reduce or eliminate this peaking; usually, at the cost of higher output noise. Using DC techniques always increases the output noise broadband, while using an ac noise-gain-shaping technique peaks the noise, but only at higher frequencies that can then be filtered off with the typical passive filters often used after this stage. [Figure 77](#) shows a simplified schematic for the gain of 0.1 V/V test from [Figure 61](#).

This configuration shows a nominal 18° phase margin (from [Table 2](#)); therefore, a very highly-peaked response is illustrated in [Figure 1](#). This peaking can be eliminated by placing two feedback capacitors across the Rf elements and a differential input capacitor. Adding these capacitors provides a transition from a resistively set noise gain (NG1 here; 1.1 in [Table 2](#)) to a capacitive divider at high-frequency flattening out to a higher noise gain (NG2 here). The key for this approach is to target a Zo, where the noise gain begins to peak up. Using only the following terms, and targeting a closed-loop flat (Butterworth) response, gives this solution sequence for Zo and then the capacitor values.

1. Gain bandwidth product in Hz (850 MHz for the THS4541-Q1)
2. Low frequency noise gain, NG1 (= 1.1 in the attenuator gain of 0.1 V/V design)
3. Target high-frequency noise gain selected to be higher than NG1 (NG2 = 3.1 V/V is selected for this design)
4. Feedback resistor value, Rf (assumed balanced for this differential design = 402 Ω for this design example)

From these elements, for any decompensated voltage-feedback op amp or FDA, solve for Zo (in Hz) using [Equation 15](#):

$$Z_o = \frac{GBP}{NG1^2} \left( 1 - \frac{NG1}{NG2} - \sqrt{1 - 2 \frac{NG1}{NG2}} \right) \quad (15)$$

From this target zero frequency in the noise gain, solve for the feedback capacitors using [Equation 16](#):

$$C_f = \frac{1}{2\pi \cdot R_f \cdot Z_o \cdot NG2} \quad (16)$$

The next step is to resolve the input capacitance on the summing junction. [Equation 17](#) is for a single-ended op amp (for example, [OPA847](#)) where that capacitor goes to ground. To use [Equation 17](#) for a voltage-feedback FDA, cut the target value in half, and place the result across the two inputs (reducing the external value by the specified internal differential capacitance).

$$C_s = (NG2 - 1)C_f \quad (17)$$

Setting the external compensation elements using [Equation 15](#) to [Equation 17](#) allows an estimate of the resulting flat bandwidth  $f_{-3dB}$  frequency, as shown in [Equation 18](#):

$$f_{-3dB} \approx \sqrt{GBP \cdot Z_o} \quad (18)$$

Running through these steps for the THS4541-Q1 in the attenuator circuit of [Figure 77](#) gives the proposed compensation of [Figure 78](#) where [Equation 18](#) estimates a bandwidth of 252 MHz (Zo target is 74.7 MHz).

Typical Applications (continued)

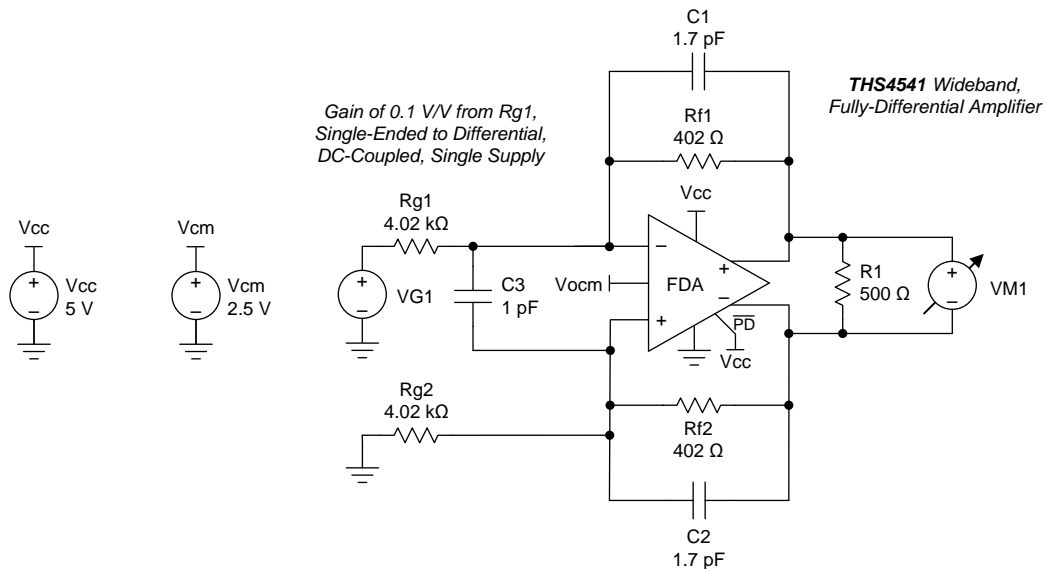


Figure 78. Compensated Attenuator Circuit Using the THS4541-Q1

The 1 pF across the inputs is really a total 1.85 pF, including the internal differential capacitance, and a Cs = 3.7 pF for a single-ended design from Equation 17.

These two designs (with and without the capacitors) were both bench tested and simulated using the THS4541 TINA model giving the results of Figure 79.

This method does a good job of flattening the response for what starts out as a low phase-margin attenuator application. The simulation model does a very good job of predicting the peaking and showing the same improvement with the external capacitors; both giving a flat, approximately 250-MHz, closed-loop bandwidth for this gain of a 0.1-V/V design. In this example, the output noise begins to peak up (as a result of the noise-gain shaping of the capacitors) above 70 MHz. Use postfiltering to minimize any increase in the integrated noise using this technique. Using this solution to deliver an 8-V<sub>PP</sub> differential output to a successive approximation register (SAR) ADC (using the 2.5-V V<sub>ocm</sub> shown), the circuit accepts up to ±40-V inputs, where the 4-kΩ input R<sub>g1</sub> draws ±10 mA from the source.

10.2.1.3 Application Curve

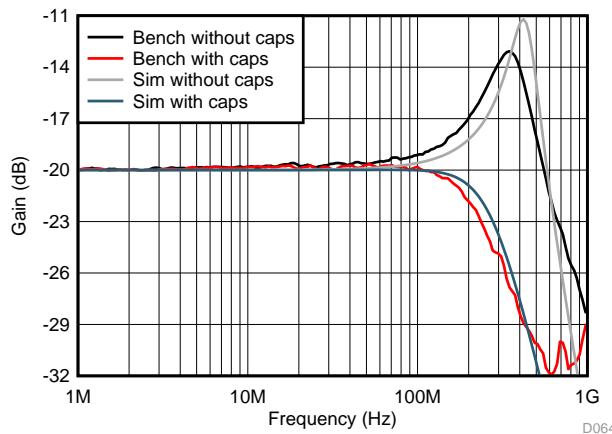


Figure 79. Attenuator Response Shapes with and without External Compensation

## Typical Applications (continued)

### 10.2.2 Interfacing to High-Performance ADCs

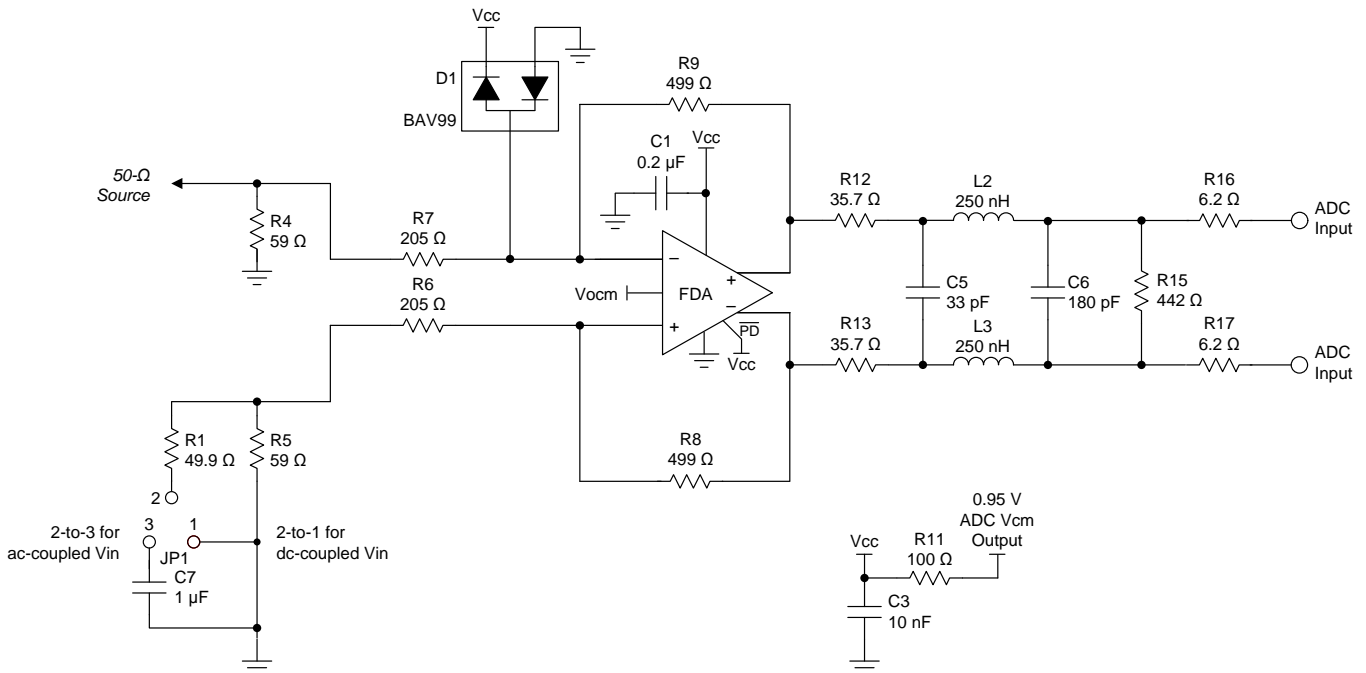


Figure 80. DC-Coupled, Bipolar Input Gain of 2 V/V Single-Ended to Differential Interface to ADC

#### 10.2.2.1 Design Requirements

In this example design, an impedance matched input assuming a 50-Ω source is implemented with a DC-coupled gain of 2 V/V to the ADC. This configuration effectively reduces the required full-scale input to  $\pm 0.5$  V for a 2-V<sub>PP</sub> full-scale input ADC. Add a low insertion-loss interstage filter to the ADC to control the broadband noise where the goal is to show minimal SNR reduction in the FFT, as well as minimal degradation in SFDR performance.

#### 10.2.2.2 Detailed Design Procedure

The THS4541-Q1 provides a very flexible element for interfacing from a variety of sources to a wide range of ADCs. Because all precision and high-speed ADCs require a differential input on a common-mode voltage, this design is the primary application for the THS4541-Q1.

The THS4541-Q1 provides a simple interface to a wide variety of precision SAR,  $\Delta\Sigma$ , or higher-speed pipeline ADCs. To deliver the exceptional distortion at the output pins, considerably wider bandwidth than typically required in the signal path to the ADC inputs is provided by the THS4541-Q1. For instance, the gain of 2 single-ended to differential design example provides approximately a 500-MHz, small-signal bandwidth. Even if the source signal is Nyquist bandlimited, this broad bandwidth can possibly integrate enough THS4541-Q1 noise to degrade the SNR through the ADC if the broadband noise is not bandlimited between the amplifier and ADC.

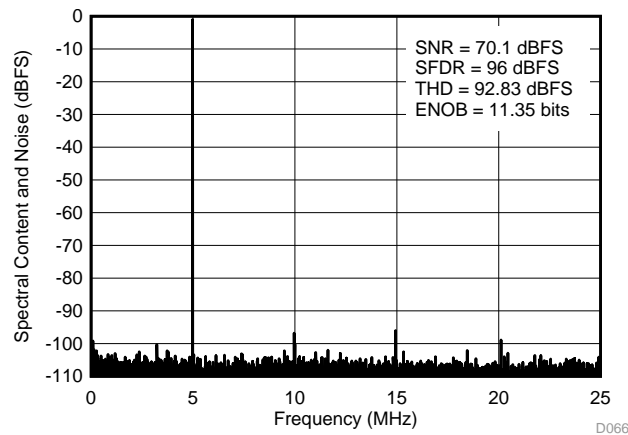
Figure 80 shows an example DC-coupled, gain of 2 interface with a controlled, interstage-bandwidth filter implemented on the demonstration board for the JESD digital-output interface, ADC34J22 (a 50-MSPS, quad, 12-bit ADC). This board is called the DEV-ADC34J22 ADC HSMC MODULE with complete documentation at [http://dallaslogic.com/prod\\_dev-adc34j/](http://dallaslogic.com/prod_dev-adc34j/).

Designed for a DC-coupled 50Ω input match, this design starts with a 499-Ω feedback resistor, and provides a gain of 2.35V/V to the THS4541-Q1 output pins. The third-order interstage, low-pass filter provides a 20-MHz Bessel response with a 0.85 V/V insertion loss to the ADC, providing a net gain of 2 V/V from board edge to the ADC inputs. Although the THS4541-Q1 can absorb overdrives, an external protection element is added using the BAV99 low-capacitance device, shown in Figure 80. For DC-coupled testing, pins 1 and 2 are jumpered together. When the source is an AC-coupled, 50-Ω source, pins 2 and 3 are jumpered to maintain differential balance. FFT testing normally uses a bandpass filter into the board; an AC-coupled source. A typical 5-MHz, full-scale, single-

## Typical Applications (continued)

tone FFT is shown in [Figure 81](#), where the jumper is placed from pins 2 to 3. The reported SNR of 70.09 dBFS is only a slight reduction from the tested ADC-only performance of 70.42 dBFS, showing the value of the interstage noise bandwidth limiting filter. The exceptionally low harmonic distortion for the THS4541-Q1 also shows up in the very low SFDR and THD shown in [Figure 81](#). This 96-dB SFDR and 92.83-dB THD are comparable to the ADC-only test results.

### 10.2.2.3 Application Curve



**Figure 81. 5-MHz FFT, 50-MSPS Test for the Gain of 2 Interface in [Figure 80](#)**



## 11 Power-Supply Recommendations

The THS4541-Q1 is principally intended to operate with a nominal single-supply voltage of +3 V to +5 V. Supply-voltage tolerances are supported with the specified operating range of 2.7 V (10% low on a 3-V nominal supply) and 5.4 V (8% high on a 5-V nominal supply). Supply decoupling is required, as described in the [Terminology and Application Assumptions](#) section. Split (or bipolar) supplies can be used with the THS4541-Q1, as long as the total value across the device remains less than 5.5 V (absolute maximum). The thermal pad on the package is electrically isolated; connect the thermal pad to any power or ground plane for heat spreading.

Using a negative supply to deliver a true swing to ground output in driving SAR ADCs may be desired. While the THS4541-Q1 quotes a rail-to-rail output, linear operation requires approximately a 200-mV headroom to the supply rails. One easy option for extending the linear output swing to ground is to provide the small negative supply voltage required using the [LM7705](#) fixed –230-mV, negative-supply generator. This low-cost, fixed negative-supply generator accepts the 3-V to 5-V positive supply input used by the THS4541-Q1 and provides a –230-mV supply for the negative rail. Using the LM7705 provides an effective solution, as shown in the TI Designs [TIDU187](#), *Extending Rail-to-Rail Output Range for Fully Differential Amplifiers to Include True Zero Volts*.

## 12 Layout

### 12.1 Layout Guidelines

Similar to all high-speed devices, best system performance is achieved with a close attention to board layout. The THS4541-Q1 evaluation module (EVM) shows a good example of high frequency layout techniques as a reference. This EVM includes numerous extra elements and features for characterization purposes that may not apply to some applications. General high-speed, signal-path layout suggestions include:

- Continuous ground planes are preferred for signal routing with matched impedance traces for longer runs; however, open up both ground and power planes around the capacitive sensitive input and output device pins. After the signal is sent into a resistor, parasitic capacitance becomes more of a bandlimiting issue and less of a stability issue.
- Use good, high-frequency decoupling capacitors (0.1  $\mu$ F) on the ground plane at the device power pins. Higher value capacitors (2.2  $\mu$ F) are required, but may be placed further from the device power pins and shared among devices. For best high-frequency decoupling, consider X2Y supply-decoupling capacitors that offer a much higher self-resonance frequency over standard capacitors.
- When using differential signal routing over any appreciable distance, use microstrip layout techniques with matched impedance traces.
- Higher-speed FDAs, such as the THS4541-Q1, include a duplicate of the output pins on the input feedback side of the package. This duplication is intended to allow the external feedback resistors to be connected with virtually no trace length on the input side of the package. Use this layout approach with no extra trace length on this critical feedback path.
- The input summing junctions are very sensitive to parasitic capacitance. Connect any R<sub>g</sub> elements into the summing junction with minimal trace length to the device pin side of the resistor. The other side of the R<sub>g</sub> elements can have more trace length if needed to the source or to ground.

## 12.2 Layout Example

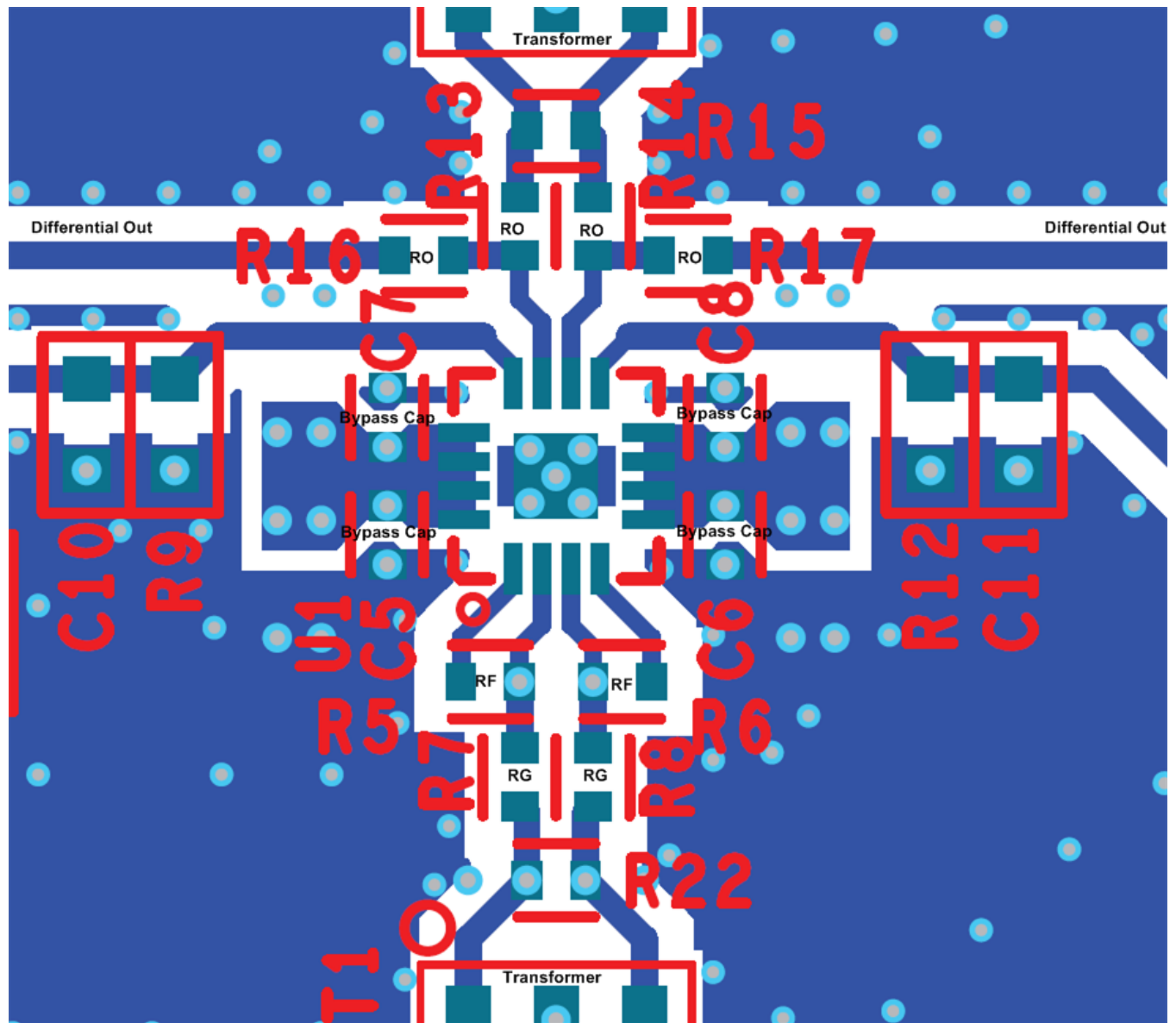


Figure 82. Layout Example

## 13 器件和文档支持

### 13.1 器件支持

#### 13.1.1 开发支持

##### 13.1.1.1 TINA 仿真模型 特性

器件模型作为 TINA 模型库的一部分提供。此模型包含多种 功能，旨在帮助设计人员加快设计过程，从而满足各类应用需求。下面列出了模型中所包含的性能参数：

- 采用任意外部电路时的小信号响应波形：
  - 差分开环增益和相位
  - 寄生输入电容
  - 开环差分输出阻抗
- 对于噪声仿真：
  - 输入差分点电压噪声和 100kHz 1/f 转角频率
  - 每个输入上的输入电流噪声与 1MHz 1/f 转角频率
- 对于时域阶跃响应仿真：
  - 差分转换率
  - 用于预测削波的 I/O 余量模型
  - 精密的直流精度术语：
    - 电源抑制比 (PSRR)
    - 共模抑制比 (CMRR)

典型特性曲线所呈现的信息比宏观模型提供的更为详细；其中一些非模型化的 特性 包括：

- 谐波失真
- 直流误差方面的温度漂移 ( $V_{IO}$  和  $I_{OS}$ )

### 13.2 文档支持

#### 13.2.1 相关文档

相关文档如下：

- 《ADC34J2x 具有 JESD204B 接口的四通道 12 位 50MSPS 至 160MSPS 模数转换器》，[SBAS669](#)
- 《宽带、差分互阻抗 DAC 输出设计》，
- 《扩展全差分放大器的轨到轨输出范围以包括真正零电压》，[TIDU187](#)
- 《LM7705 低噪声负偏置发生器》，[SNVS420](#)
- 《LMH6554 2.8GHz 超线性全差分放大器》，[SNOSB30](#)
- 《THS4541RGT EVM 用户指南》，[SLOU392](#)

### 13.3 社区资源

The following links connect to TI community resources. Linked contents are provided "AS IS" by the respective contributors. They do not constitute TI specifications and do not necessarily reflect TI's views; see TI's [Terms of Use](#).

**TI E2E™ Online Community** *TI's Engineer-to-Engineer (E2E) Community*. Created to foster collaboration among engineers. At [e2e.ti.com](http://e2e.ti.com), you can ask questions, share knowledge, explore ideas and help solve problems with fellow engineers.

**Design Support** *TI's Design Support* Quickly find helpful E2E forums along with design support tools and contact information for technical support.

### 13.4 商标

E2E is a trademark of Texas Instruments.

All other trademarks are the property of their respective owners.

### 13.5 静电放电警告



ESD 可能会损坏该集成电路。德州仪器 (TI) 建议通过适当的预防措施处理所有集成电路。如果不遵守正确的处理措施和安装程序，可能会损坏集成电路。

ESD 的损坏小至导致微小的性能降级，大至整个器件故障。精密的集成电路可能更容易受到损坏，这是因为非常细微的参数更改都可能会导致器件与其发布的规格不相符。

### 13.6 Glossary

[SLYZ022](#) — *TI Glossary*.

This glossary lists and explains terms, acronyms, and definitions.

## 14 机械、封装和可订购信息

以下页中包括机械、封装和可订购信息。这些信息是针对指定器件可提供的最新数据。这些数据会在无通知且不对本文档进行修订的情况下发生改变。欲获得该数据表的浏览器版本，请查阅左侧的导航栏。

**PACKAGING INFORMATION**

Orderable Device	Status (1)	Package Type	Package Drawing	Pins	Package Qty	Eco Plan (2)	Lead finish/ Ball material (6)	MSL Peak Temp (3)	Op Temp (°C)	Device Marking (4/5)	Samples
THS4541QRGTRQ1	ACTIVE	VQFN	RGT	16	3000	RoHS & Green	NIPDAU	Level-2-260C-1 YEAR	-40 to 125	4541Q1	<a href="#">Samples</a>
THS4541QWRGTRQ1	ACTIVE	VQFN	RGT	16	3000	RoHS & Green	SN	Level-2-260C-1 YEAR	-40 to 125	4541W	<a href="#">Samples</a>

(1) The marketing status values are defined as follows:

**ACTIVE:** Product device recommended for new designs.

**LIFEBUY:** TI has announced that the device will be discontinued, and a lifetime-buy period is in effect.

**NRND:** Not recommended for new designs. Device is in production to support existing customers, but TI does not recommend using this part in a new design.

**PREVIEW:** Device has been announced but is not in production. Samples may or may not be available.

**OBSELETE:** TI has discontinued the production of the device.

(2) **RoHS:** TI defines "RoHS" to mean semiconductor products that are compliant with the current EU RoHS requirements for all 10 RoHS substances, including the requirement that RoHS substance do not exceed 0.1% by weight in homogeneous materials. Where designed to be soldered at high temperatures, "RoHS" products are suitable for use in specified lead-free processes. TI may reference these types of products as "Pb-Free".

**RoHS Exempt:** TI defines "RoHS Exempt" to mean products that contain lead but are compliant with EU RoHS pursuant to a specific EU RoHS exemption.

**Green:** TI defines "Green" to mean the content of Chlorine (Cl) and Bromine (Br) based flame retardants meet JS709B low halogen requirements of <=1000ppm threshold. Antimony trioxide based flame retardants must also meet the <=1000ppm threshold requirement.

(3) MSL, Peak Temp. - The Moisture Sensitivity Level rating according to the JEDEC industry standard classifications, and peak solder temperature.

(4) There may be additional marking, which relates to the logo, the lot trace code information, or the environmental category on the device.

(5) Multiple Device Markings will be inside parentheses. Only one Device Marking contained in parentheses and separated by a "~" will appear on a device. If a line is indented then it is a continuation of the previous line and the two combined represent the entire Device Marking for that device.

(6) Lead finish/Ball material - Orderable Devices may have multiple material finish options. Finish options are separated by a vertical ruled line. Lead finish/Ball material values may wrap to two lines if the finish value exceeds the maximum column width.

**Important Information and Disclaimer:**The information provided on this page represents TI's knowledge and belief as of the date that it is provided. TI bases its knowledge and belief on information provided by third parties, and makes no representation or warranty as to the accuracy of such information. Efforts are underway to better integrate information from third parties. TI has taken and continues to take reasonable steps to provide representative and accurate information but may not have conducted destructive testing or chemical analysis on incoming materials and chemicals. TI and TI suppliers consider certain information to be proprietary, and thus CAS numbers and other limited information may not be available for release.

In no event shall TI's liability arising out of such information exceed the total purchase price of the TI part(s) at issue in this document sold by TI to Customer on an annual basis.



**TAPE AND REEL INFORMATION**

**QUADRANT ASSIGNMENTS FOR PIN 1 ORIENTATION IN TAPE**


\*All dimensions are nominal

Device	Package Type	Package Drawing	Pins	SPQ	Reel Diameter (mm)	Reel Width W1 (mm)	A0 (mm)	B0 (mm)	K0 (mm)	P1 (mm)	W (mm)	Pin1 Quadrant
THS4541QRGTRQ1	VQFN	RGT	16	3000	330.0	12.4	3.3	3.3	1.1	8.0	12.0	Q2
THS4541QWRGTRQ1	VQFN	RGT	16	3000	330.0	12.4	3.3	3.3	1.0	8.0	12.0	Q2

**TAPE AND REEL BOX DIMENSIONS**


\*All dimensions are nominal

Device	Package Type	Package Drawing	Pins	SPQ	Length (mm)	Width (mm)	Height (mm)
THS4541QRGTRQ1	VQFN	RGT	16	3000	346.0	346.0	33.0
THS4541QWRGTRQ1	VQFN	RGT	16	3000	367.0	367.0	38.0

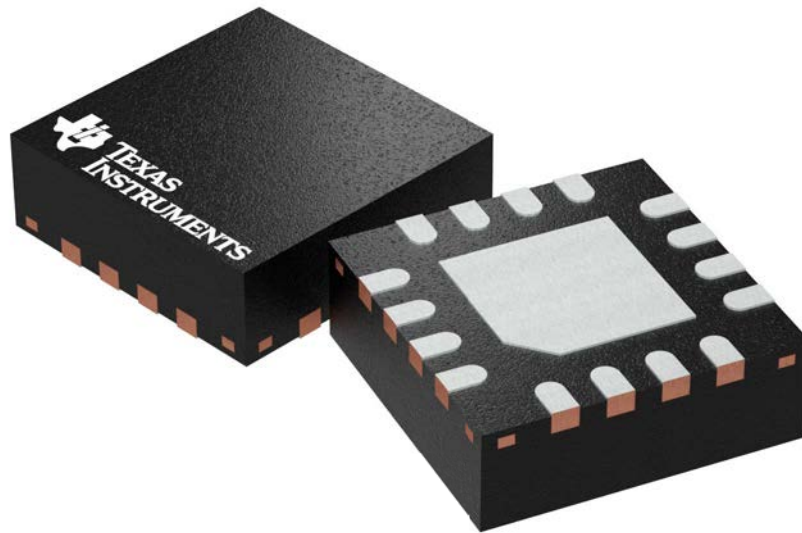


**RGT 16**

**GENERIC PACKAGE VIEW**

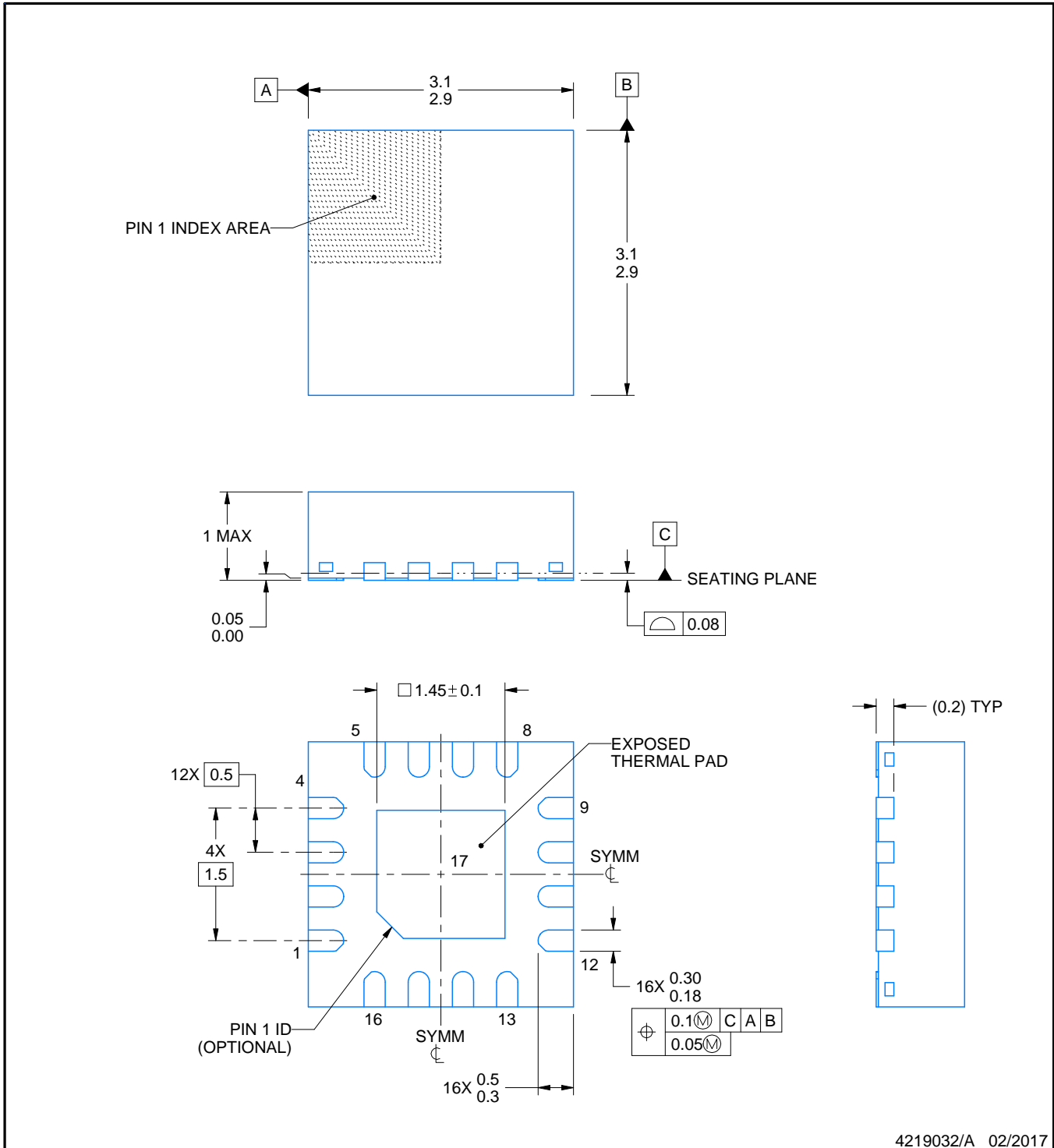
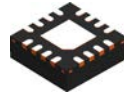
**VQFN - 1 mm max height**

PLASTIC QUAD FLATPACK - NO LEAD



Images above are just a representation of the package family, actual package may vary.  
Refer to the product data sheet for package details.

4203495/1



4219032/A 02/2017

NOTES:

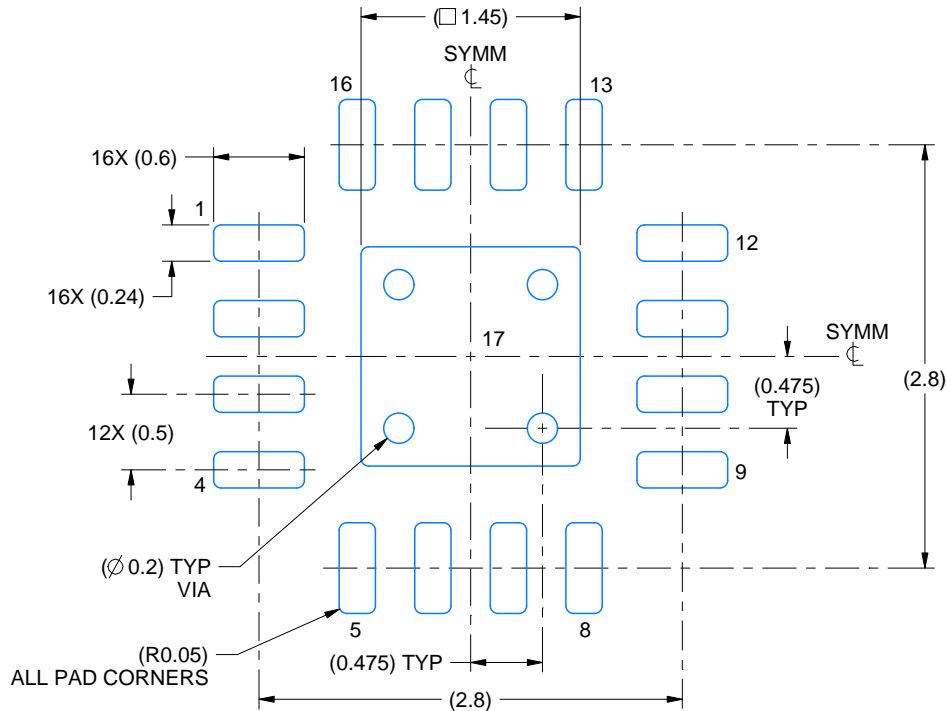
1. All linear dimensions are in millimeters. Any dimensions in parenthesis are for reference only. Dimensioning and tolerancing per ASME Y14.5M.
2. This drawing is subject to change without notice.
3. The package thermal pad must be soldered to the printed circuit board for thermal and mechanical performance.
4. Reference JEDEC registration MO-220

# EXAMPLE BOARD LAYOUT

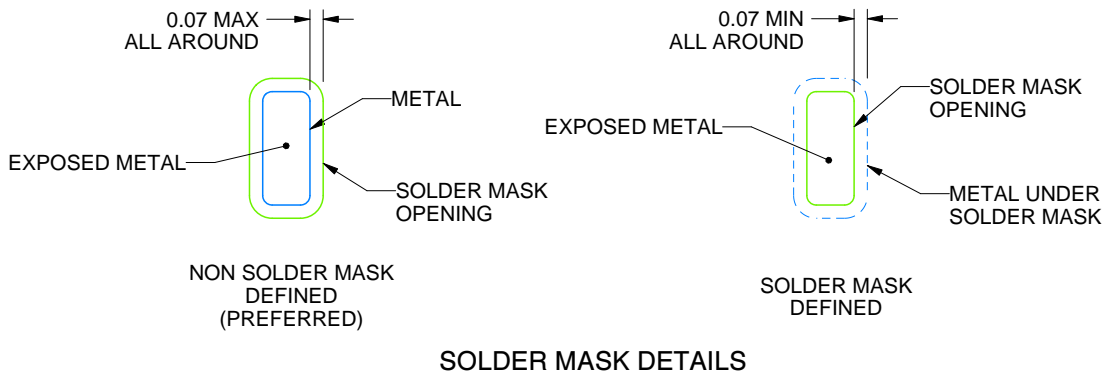
RGT0016A

VQFN - 1 mm max height

PLASTIC QUAD FLATPACK - NO LEAD



LAND PATTERN EXAMPLE  
EXPOSED METAL SHOWN  
SCALE:20X



SOLDER MASK DETAILS

4219032/A 02/2017

NOTES: (continued)

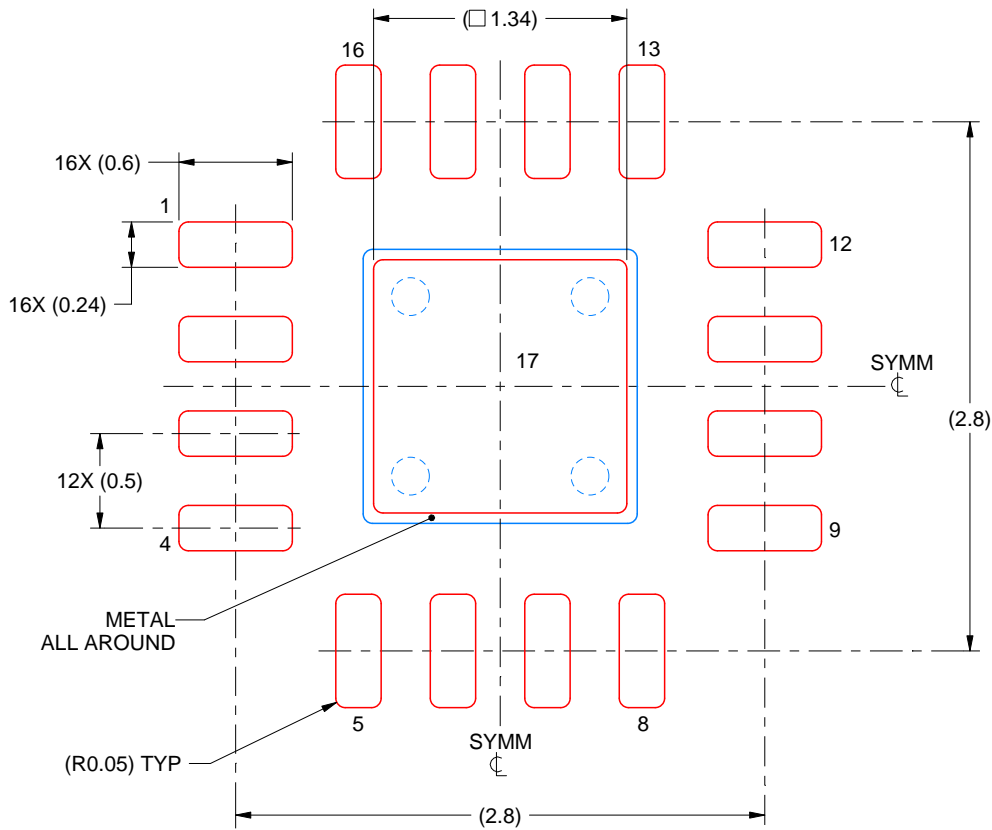
5. This package is designed to be soldered to a thermal pad on the board. For more information, see Texas Instruments literature number SLUA271 ([www.ti.com/lit/slua271](http://www.ti.com/lit/slua271)).
6. Vias are optional depending on application, refer to device data sheet. If any vias are implemented, refer to their locations shown on this view. It is recommended that vias under paste be filled, plugged or tented.

# EXAMPLE STENCIL DESIGN

RGT0016A

VQFN - 1 mm max height

PLASTIC QUAD FLATPACK - NO LEAD



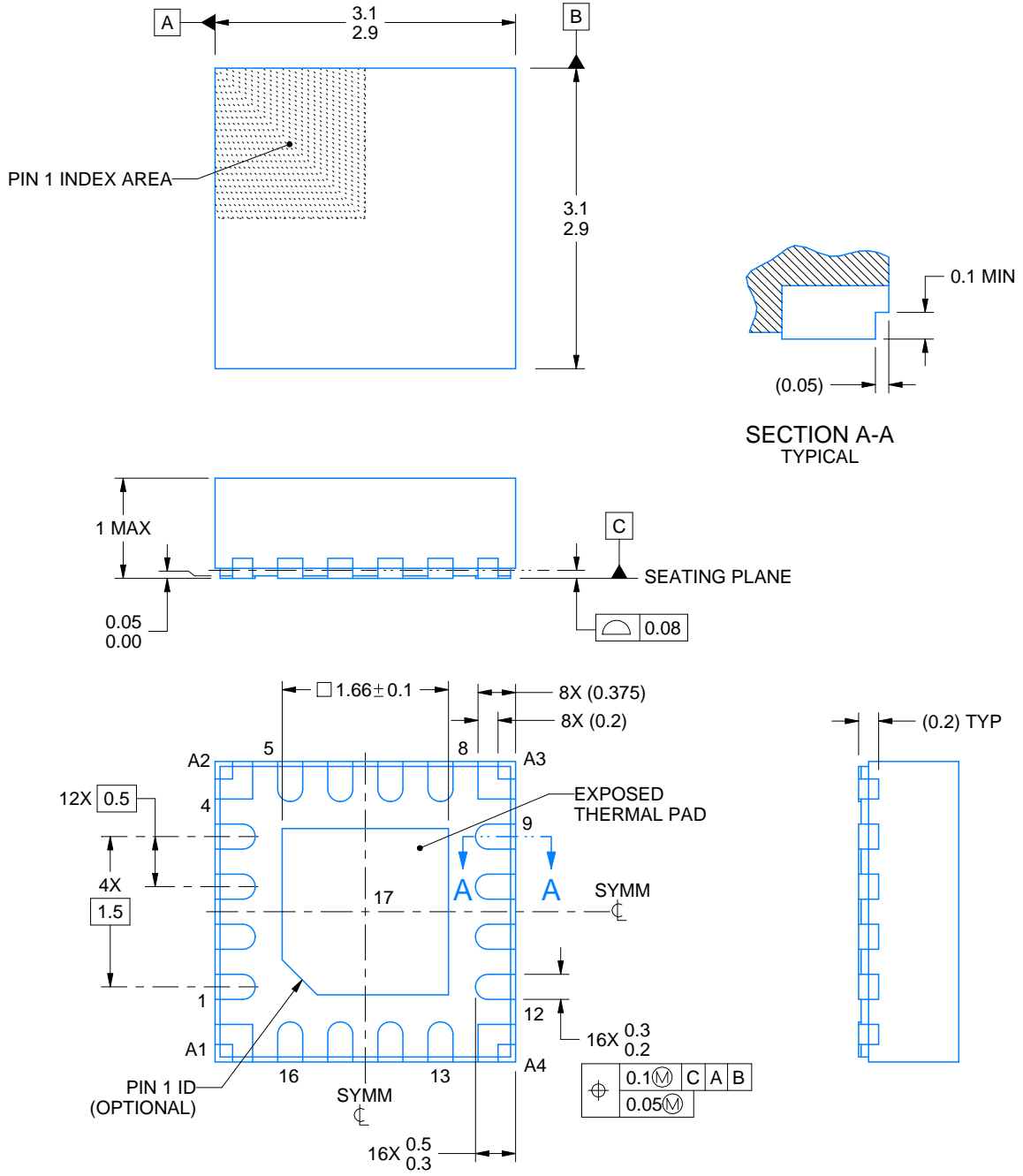
**SOLDER PASTE EXAMPLE**  
BASED ON 0.125 mm THICK STENCIL

EXPOSED PAD 17:  
86% PRINTED SOLDER COVERAGE BY AREA UNDER PACKAGE  
SCALE:25X

4219032/A 02/2017

NOTES: (continued)

7. Laser cutting apertures with trapezoidal walls and rounded corners may offer better paste release. IPC-7525 may have alternate design recommendations.



4223569/C 03/2020

NOTES:

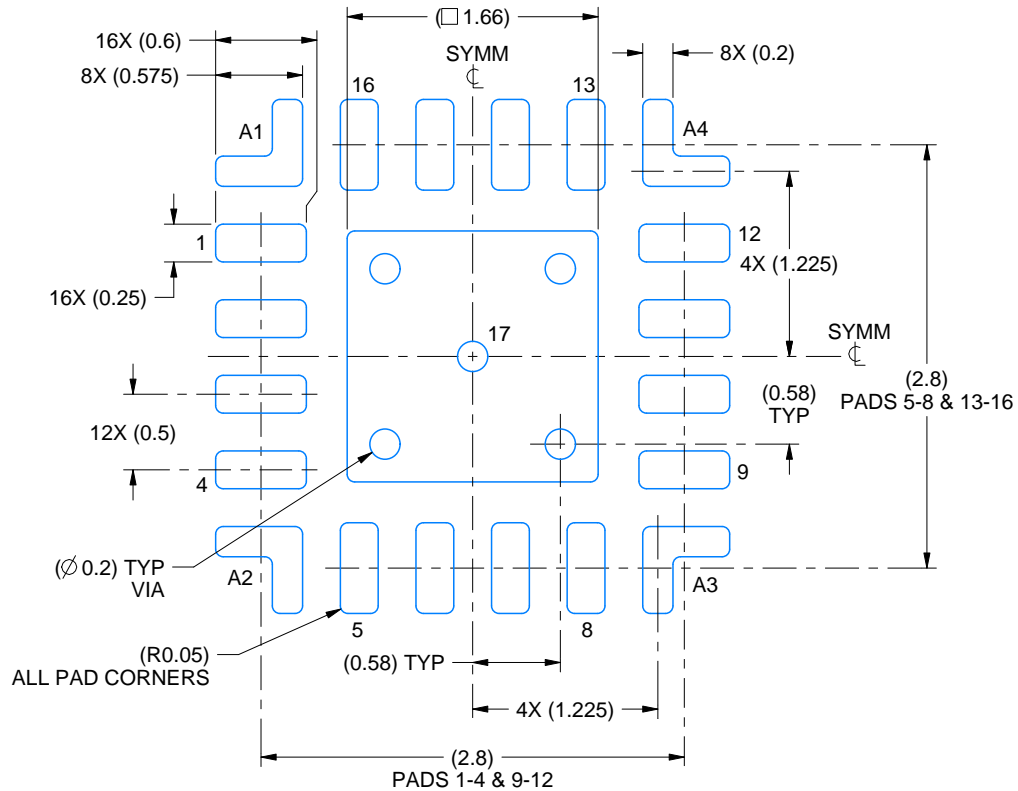
1. All linear dimensions are in millimeters. Any dimensions in parenthesis are for reference only. Dimensioning and tolerancing per ASME Y14.5M.
2. This drawing is subject to change without notice.
3. The package thermal pad must be soldered to the printed circuit board for thermal and mechanical performance.

# EXAMPLE BOARD LAYOUT

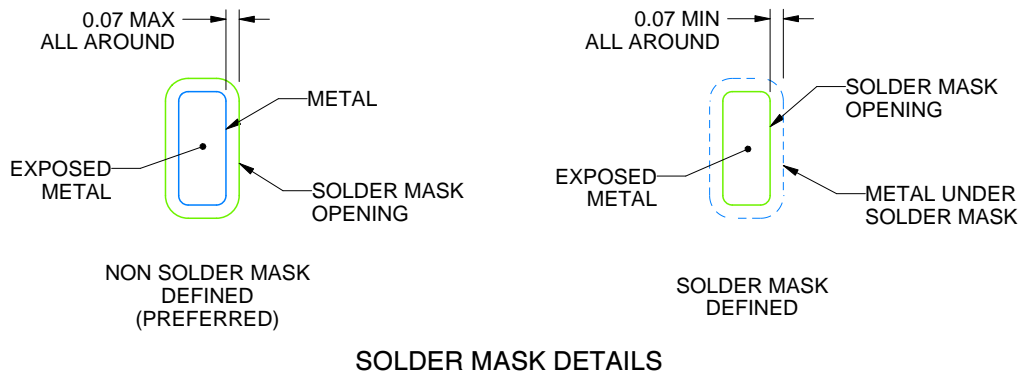
RGT0016H

VQFN - 1 mm max height

PLASTIC QUAD FLATPACK - NO LEAD



LAND PATTERN EXAMPLE  
EXPOSED METAL SHOWN  
SCALE:20X



SOLDER MASK DETAILS

4223569/C 03/2020

NOTES: (continued)

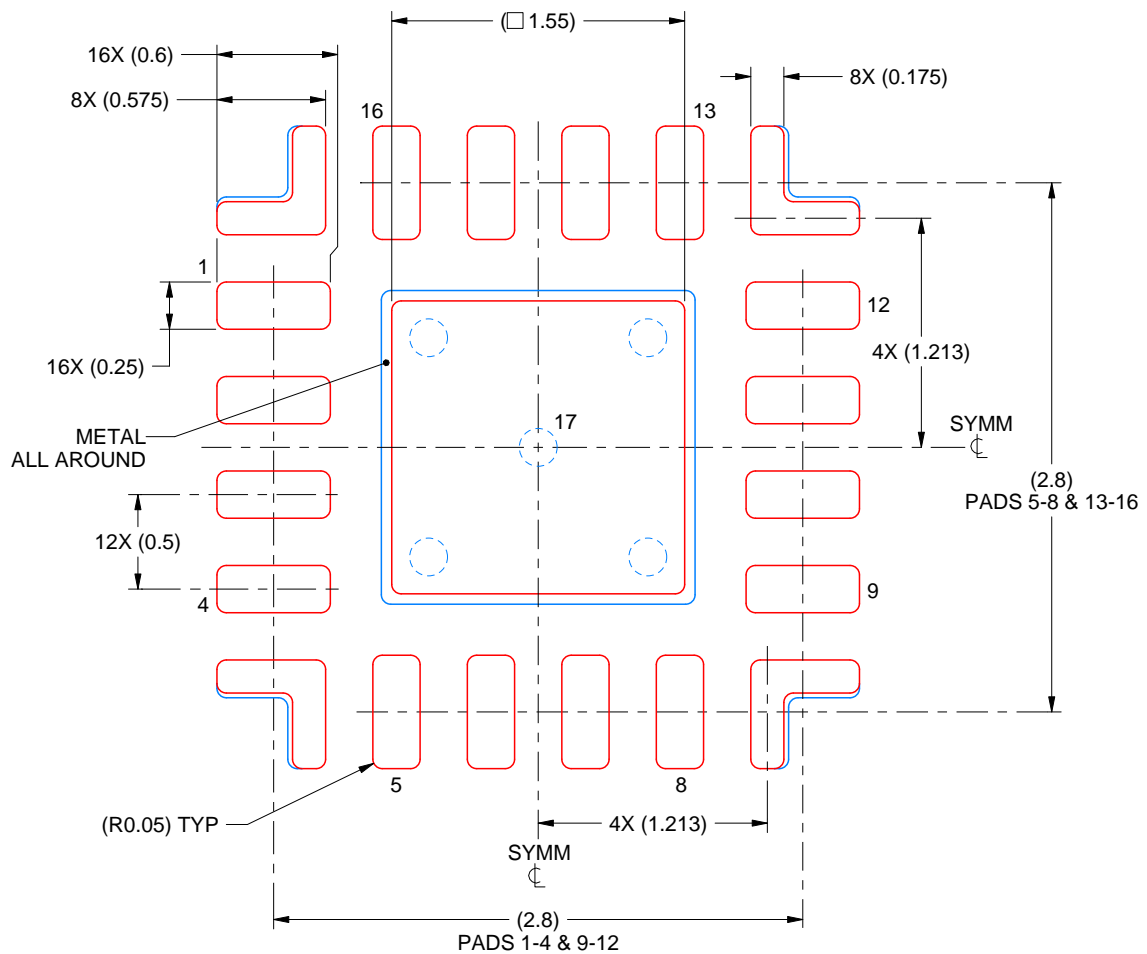
- This package is designed to be soldered to a thermal pad on the board. For more information, see Texas Instruments literature number SLUA271 ([www.ti.com/lit/slua271](http://www.ti.com/lit/slua271)).
- Vias are optional depending on application, refer to device data sheet. If any vias are implemented, refer to their locations shown on this view. It is recommended that vias under paste be filled, plugged or tented.

# EXAMPLE STENCIL DESIGN

RGT0016H

VQFN - 1 mm max height

PLASTIC QUAD FLATPACK - NO LEAD



## SOLDER PASTE EXAMPLE BASED ON 0.1 mm THICK STENCIL

PRINTED SOLDER COVERAGE BY AREA UNDER PACKAGE  
THERMAL PAD 17: 87% - PADS A1, A2, A3, & A4: 89%  
SCALE:25X

4223569/C 03/2020

NOTES: (continued)

6. Laser cutting apertures with trapezoidal walls and rounded corners may offer better paste release. IPC-7525 may have alternate design recommendations.

## 重要声明和免责声明

TI“按原样”提供技术和可靠性数据（包括数据表）、设计资源（包括参考设计）、应用或其他设计建议、网络工具、安全信息和其他资源，不保证没有瑕疵且不做任何明示或暗示的担保，包括但不限于对适销性、某特定用途方面的适用性或不侵犯任何第三方知识产权的暗示担保。

这些资源可供使用 TI 产品进行设计的熟练开发人员使用。您将自行承担以下全部责任：(1) 针对您的应用选择合适的 TI 产品，(2) 设计、验证并测试您的应用，(3) 确保您的应用满足相应标准以及任何其他功能安全、信息安全、监管或其他要求。

这些资源如有变更，恕不另行通知。TI 授权您仅可将这些资源用于研发本资源所述的 TI 产品的应用。严禁对这些资源进行其他复制或展示。您无权使用任何其他 TI 知识产权或任何第三方知识产权。您应全额赔偿因在这些资源的使用中对 TI 及其代表造成的任何索赔、损害、成本、损失和债务，TI 对此概不负责。

TI 提供的产品受 [TI 的销售条款](#) 或 [ti.com](#) 上其他适用条款/TI 产品随附的其他适用条款的约束。TI 提供这些资源并不会扩展或以其他方式更改 TI 针对 TI 产品发布的适用的担保或担保免责声明。

TI 反对并拒绝您可能提出的任何其他或不同的条款。

邮寄地址：Texas Instruments, Post Office Box 655303, Dallas, Texas 75265

Copyright © 2023，德州仪器 (TI) 公司