

## OPAx131 通用 FET 输入运算放大器

### 1 特性

- FET 输入： $I_B = 50\text{pA}$  (最大值)
- 低失调电压：最大  $750\ \mu\text{V}$
- 宽电源电压范围： $\pm 4.5\text{V}$  至  $\pm 18\text{V}$
- 压摆率： $10\text{V}/\mu\text{s}$
- 高带宽： $4\text{MHz}$
- 出色的容性负载驱动
- 单通道、双通道、四通道版本

### 2 应用

- 数据采集 (DAQ)
- 流量变送器
- 实验室和现场仪表
- 心电图 (ECG)

### 3 说明

OPAx131 系列 FET 输入运算放大器以低成本提供高性能。OPA131 单通道、OPA2131 双通道和 OPA4131 四通道版本采用业界通用引脚排列，可提供具有成本效益的设计选项。

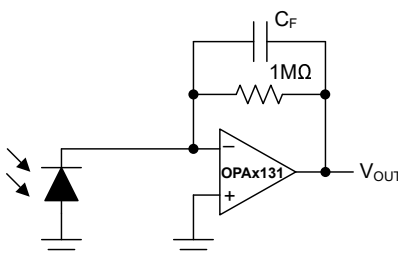
OPAx131 系列提供出色的通用性能，包括低失调电压、偏移和良好的动态特性。

单通道和双通道版本采用 8 引脚 SOIC 表面贴装封装。四通道版本采用 14 引脚和 16 引脚 SOIC 表面贴装封装以及 14 引脚 PDIP 封装。

#### 器件信息

器件型号	通道数	封装 <sup>(1)</sup>
OPA131	单通道	D (SOIC, 8)
OPA2131	双通道	D (SOIC, 8)
OPA4131	四通道	D (SOIC, 14)
		DW (SOIC, 16)
		N (PDIP, 14)

(1) 有关更多信息，请参阅节 9。



简化版跨阻放大器



## Table of Contents

<b>1 特性</b> .....	<b>1</b>	<b>6 Application and Implementation</b> .....	<b>12</b>
<b>2 应用</b> .....	<b>1</b>	6.1 Application Information.....	12
<b>3 说明</b> .....	<b>1</b>	6.2 Typical Application.....	12
<b>4 Pin Configuration and Functions</b> .....	<b>3</b>	<b>7 Device and Documentation Support</b> .....	<b>13</b>
<b>5 Specifications</b> .....	<b>6</b>	7.1 接收文档更新通知.....	13
5.1 Absolute Maximum Ratings.....	6	7.2 支持资源.....	13
5.2 Recommended Operating Conditions.....	6	7.3 Trademarks.....	13
5.3 Thermal Information - OPA131.....	7	7.4 静电放电警告.....	13
5.4 Thermal Information - OPA2131.....	7	7.5 术语表.....	13
5.5 Thermal Information - OPA4131.....	7	<b>8 Revision History</b> .....	<b>13</b>
5.6 Electrical Characteristics.....	8	<b>9 Mechanical, Packaging, and Orderable Information..</b>	<b>14</b>
5.7 Typical Characteristics.....	9		

## 4 Pin Configuration and Functions

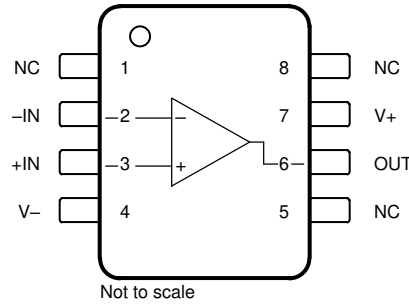


图 4-1. OPA131 D Package, 8-Pin SOIC (Top View)

表 4-1. Pin Functions: OPA131

PIN		TYPE	DESCRIPTION
NAME	NO.		
+IN	3	Input	Noninverting input, channel A
- IN	2	Input	Inverting input, channel A
NC	1, 5	—	Do not connect these pins <sup>(1)</sup>
NC	8	—	No internal connection. Float this pin.
OUT	6	Output	Output
V+	7	Power	Positive (highest) power supply
V-	4	Power	Negative (lowest) power supply

(1) Existing layouts for the OPA131 D package before revision B of this data sheet do not need to be redesigned.

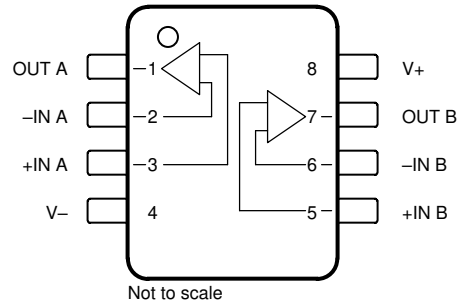


图 4-2. OPA2131 D Package, 8-Pin SOIC (Top View)

表 4-2. Pin Functions: OPA2131

PIN		TYPE	DESCRIPTION
NAME	NO.		
+IN A	3	Input	Noninverting input, channel A
+IN B	5	Input	Noninverting input, channel B
- IN A	2	Input	Inverting input, channel A
- IN B	6	Input	Inverting input, channel B
OUT A	1	Output	Output, channel A
OUT B	7	Output	Output, channel B
V+	8	Power	Positive (highest) power supply
V-	4	Power	Negative (lowest) power supply

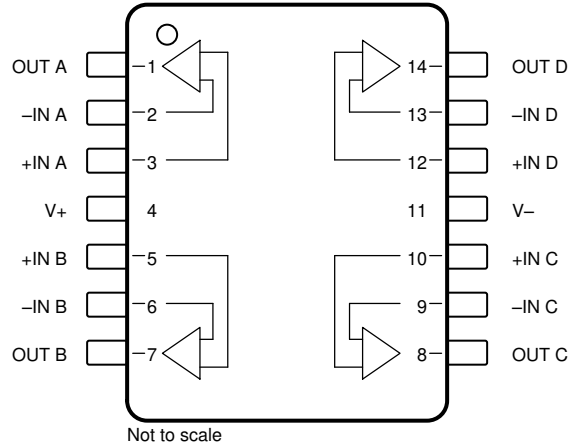


图 4-3. OPA4131 D Package, 14-Pin SOIC, and N Package, 14-Pin PDIP (Top View)

表 4-3. Pin Functions: OPA4131 D and N packages

PIN		TYPE	DESCRIPTION
NAME	NO.		
+IN A	3	Input	Noninverting input, channel A
+IN B	5	Input	Noninverting input, channel B
+IN C	10	Input	Noninverting input, channel C
+IN D	12	Input	Noninverting input, channel D
- IN A	2	Input	Inverting input, channel A
- IN B	6	Input	Inverting input, channel B
- IN C	9	Input	Inverting input, channel C
- IN D	13	Input	Inverting input, channel D
OUT A	1	Output	Output, channel A
OUT B	7	Output	Output, channel B
OUT C	8	Output	Output, channel C
OUT D	14	Output	Output, channel D
V+	4	Power	Positive (highest) power supply
V-	11	Power	Negative (lowest) power supply

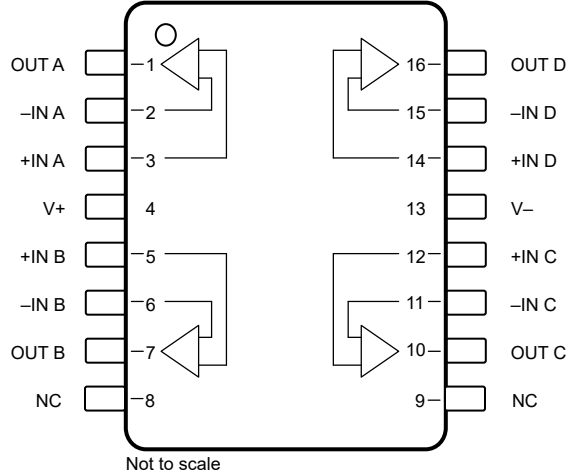


图 4-4. OPA4131 DW Package, 16-Pin SOIC (Top View)

表 4-4. Pin Functions: OPA4131 DW Package

PIN		TYPE	DESCRIPTION
NAME	NO.		
+IN A	3	Input	Noninverting input, channel A
+IN B	5	Input	Noninverting input, channel B
+IN C	12	Input	Noninverting input, channel C
+IN D	14	Input	Noninverting input, channel D
- IN A	2	Input	Inverting input, channel A
- IN B	6	Input	Inverting input, channel B
- IN C	11	Input	Inverting input, channel C
- IN D	15	Input	Inverting input, channel D
OUT A	1	Output	Output, channel A
OUT B	7	Output	Output, channel B
OUT C	10	Output	Output, channel C
OUT D	16	Output	Output, channel D
V+	4	Power	Positive (highest) power supply
V-	13	Power	Negative (lowest) power supply
NC	8, 9	—	No internal connection. Float this pin.

## 5 Specifications

### 5.1 Absolute Maximum Ratings

over operating free-air temperature range (unless otherwise noted)<sup>(1)</sup>

		MIN	MAX	UNIT
V <sub>S</sub>	Supply voltage, (V+) - (V-)	Dual supply	±18	V
		Single supply	36	
	Input voltage <sup>(2)</sup>	(V-) - 0.5	(V+) + 0.5	V
	Input current <sup>(2)</sup>		±10	mA
I <sub>SC</sub>	Output short-circuit <sup>(3)</sup>	Continuous		
T <sub>A</sub>	Operating temperature	- 55	125	°C
T <sub>J</sub>	Junction temperature		150	°C
T <sub>stg</sub>	Storage temperature	- 55	125	°C

- (1) Operation outside the *Absolute Maximum Ratings* may cause permanent device damage. *Absolute Maximum Ratings* do not imply functional operation of the device at these or any other conditions beyond those listed under *Recommended Operating Conditions*. If used outside the *Recommended Operating Conditions* but within the *Absolute Maximum Ratings*, the device may not be fully functional, and this may affect device reliability, functionality, performance, and shorten the device lifetime.
- (2) Input pins are diode-clamped to the power-supply rails. Input signals that can swing more than 0.5V beyond the supply rails must be current limited to 10mA or less.
- (3) Short-circuit to ground, one amplifier per package.

### 5.2 Recommended Operating Conditions

over operating free-air temperature range (unless otherwise noted)

		MIN	NOM	MAX	UNIT	
V <sub>S</sub>	Supply voltage, (V+) - (V-)	Dual supply	±4.5	±15	±18	V
		Single supply	9	30	36	
T <sub>A</sub>	Ambient temperature	- 40		+85	°C	

### 5.3 Thermal Information - OPA131

THERMAL METRIC <sup>(1)</sup>		OPA131		UNIT
		D (SOIC)		
		8 PINS		
$R_{\theta JA}$	Junction-to-ambient thermal resistance	150		°C/W
$R_{\theta JC(top)}$	Junction-to-case (top) thermal resistance	74		°C/W
$R_{\theta JB}$	Junction-to-board thermal resistance	62		°C/W
$\Psi_{JT}$	Junction-to-top characterization parameter	19.7		°C/W
$\Psi_{JB}$	Junction-to-board characterization parameter	54.8		°C/W
$R_{\theta JC(bot)}$	Junction-to-case (bottom) thermal resistance	N/A		°C/W

(1) For more information about traditional and new thermal metrics, see the [Semiconductor and IC Package Thermal Metrics](#) application report.

### 5.4 Thermal Information - OPA2131

THERMAL METRIC <sup>(1)</sup>		OPA2131		UNIT
		D (SOIC)		
		8 PINS		
$R_{\theta JA}$	Junction-to-ambient thermal resistance	150		°C/W
$R_{\theta JC(top)}$	Junction-to-case (top) thermal resistance	52.3		°C/W
$R_{\theta JB}$	Junction-to-board thermal resistance	63.5		°C/W
$\Psi_{JT}$	Junction-to-top characterization parameter	10.7		°C/W
$\Psi_{JB}$	Junction-to-board characterization parameter	62.4		°C/W
$R_{\theta JC(bot)}$	Junction-to-case (bottom) thermal resistance	N/A		°C/W

(1) For more information about traditional and new thermal metrics, see the [Semiconductor and IC Package Thermal Metrics](#) application report.

### 5.5 Thermal Information - OPA4131

THERMAL METRIC <sup>(1)</sup>		OPA4131			UNIT
		D (SOIC)	DW (SOIC)	N (PDIP)	
		14 PINS	16 PINS	14 PINS	
$R_{\theta JA}$	Junction-to-ambient thermal resistance	110	110	80	°C/W
$R_{\theta JC(top)}$	Junction-to-case (top) thermal resistance	56	N/A	N/A	°C/W
$R_{\theta JB}$	Junction-to-board thermal resistance	53	N/A	N/A	°C/W
$\Psi_{JT}$	Junction-to-top characterization parameter	19	N/A	N/A	°C/W
$\Psi_{JB}$	Junction-to-board characterization parameter	46	N/A	N/A	°C/W
$R_{\theta JC(bot)}$	Junction-to-case (bottom) thermal resistance	N/A	N/A	N/A	°C/W

(1) For more information about traditional and new thermal metrics, see the [Semiconductor and IC Package Thermal Metrics](#) application report.

## 5.6 Electrical Characteristics

at  $T_A = 25^\circ\text{C}$ ,  $V_S = \pm 15\text{V}$ ,  $R_L = 10\text{k}\Omega$  connected to midsupply, and  $V_{CM} = V_{OUT} = \text{midsupply}$  (unless otherwise noted)

PARAMETER		TEST CONDITIONS		MIN	TYP	MAX	UNIT
<b>OFFSET VOLTAGE</b>							
$V_{OS}$	Input offset voltage	OPAx131UA		$\pm 0.2$	$\pm 1$		mV
		OPA2131U, OPA4131U		$\pm 0.2$	$\pm 1.5$		
		OPA131U		$\pm 0.2$	$\pm 0.75$		
$dV_{OS}/dT$	Input offset voltage drift	$T_A = -40^\circ\text{C}$ to $+85^\circ\text{C}$		$\pm 2$	$\pm 10$		$\mu\text{V}/^\circ\text{C}$
PSRR	Power-supply rejection ratio	$9\text{V} \leq V_S \leq 36\text{V}$	OPAx131UA, OPA2131U, OPA4131U	$\pm 50$	$\pm 200$		$\mu\text{V}/\text{V}$
			OPA131U	$\pm 50$	$\pm 100$		
<b>INPUT BIAS CURRENT</b>							
$I_B$	Input bias current <sup>(1)</sup>	$T_A = -40^\circ\text{C}$ to $+85^\circ\text{C}$		$\pm 5$	$\pm 50$		pA
				See Typical Characteristics			
$I_{OS}$	Input offset current <sup>(1)</sup>	$T_A = -40^\circ\text{C}$ to $+85^\circ\text{C}$		$\pm 1$	$\pm 50$		pA
<b>NOISE</b>							
$e_n$	Input voltage noise density	f = 10Hz		21			nV/√Hz
		f = 100Hz		16			
		f = 1kHz		15			
		f = 10kHz		15			
$I_n$	Input current noise density	f = 1kHz		3			fA/√Hz
<b>INPUT VOLTAGE</b>							
$V_{CM}$	Common-mode voltage			$(V_-) + 3$	$(V_+) - 3.5$		V
CMRR	Common-mode rejection ratio	$-12\text{V} \leq V_{CM} \leq 11.5\text{V}$	OPAx131UA, OPA2131U, OPA4131U	70	80		dB
			OPA131U	80	86		
<b>INPUT IMPEDANCE</b>							
	Differential			$10^{10} \parallel 5$			$\Omega \parallel \text{pF}$
	Common-mode	$-13\text{V} \leq V_{CM} \leq 11.5\text{V}$		$10^{12} \parallel 4.3$			
<b>OPEN-LOOP GAIN</b>							
$A_{OL}$	Open-loop voltage gain	$-12\text{V} \leq V_O \leq 12\text{V}$	OPAx131UA, OPA2131U, OPA4131U	94	110		dB
			OPA131U	100	110		
<b>FREQUENCY RESPONSE</b>							
GBW	Gain bandwidth product			4			MHz
SR	Slew rate			10			V/μs
	Settling time	10V step, G = 1	0.1%	1.5			μs
			0.01%	2			
THD+N	Total harmonic distortion plus noise	f = 1kHz, G = 1, $V_O = 3.5V_{rms}$		0.0008%			
<b>OUTPUT</b>							
$V_O$	Voltage output	$R_L = 2\text{k}\Omega$	Positive	$(V_+) - 3$	$(V_+) - 2.5$		V
			Negative	$(V_-) + 2.5$	$(V_-) + 3$		
$I_{SC}$	Short-circuit current			$\pm 20$			mA
<b>POWER SUPPLY</b>							
$I_Q$	Quiescent current (per amplifier)	$I_O = 0\text{mA}$	OPAx131UA	$\pm 1.5$	$\pm 1.75$		mA
			OPA131U	$\pm 1.5$	$\pm 2$		

(1) High-speed test at  $T_J = 25^\circ\text{C}$ .



### 5.7 Typical Characteristics

at  $T_A = 25^\circ\text{C}$ ,  $V_S = \pm 15\text{V}$ ,  $R_L = 10\text{k}\Omega$  connected to midsupply, and  $V_{CM} = V_{OUT} = \text{midsupply}$  (unless otherwise noted)

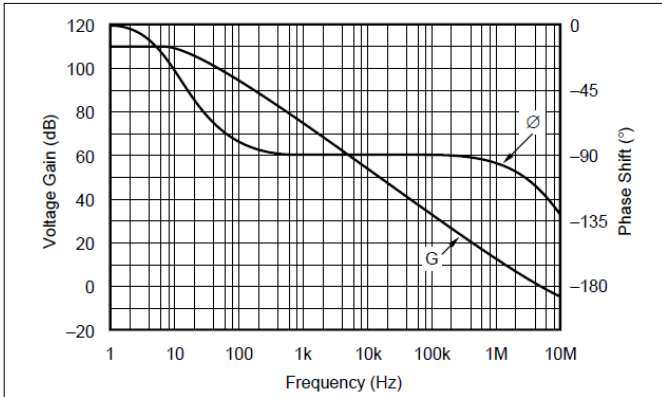


图 5-1. Open-Loop Gain and Phase vs Frequency

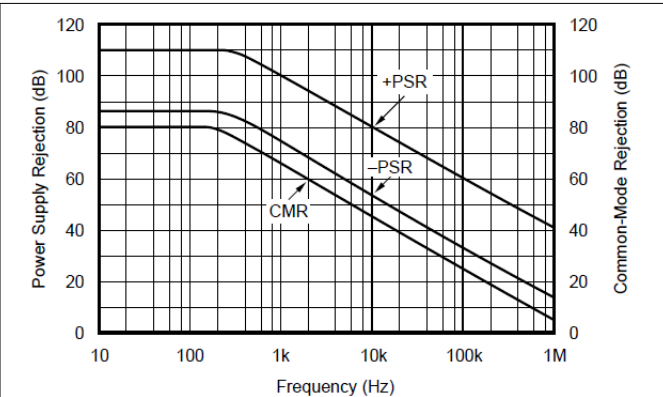


图 5-2. Power Supply and Common-Mode Rejection vs Frequency

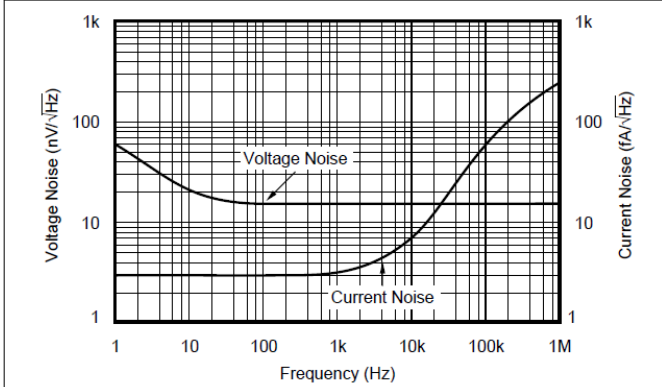


图 5-3. Input Voltage and Current Noise Spectral Density vs Frequency

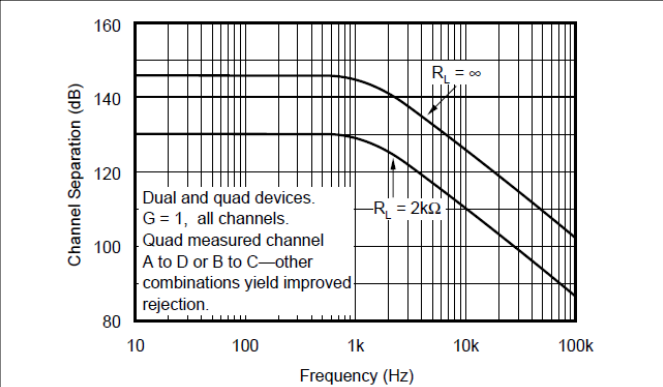


图 5-4. Channel Separation vs Frequency

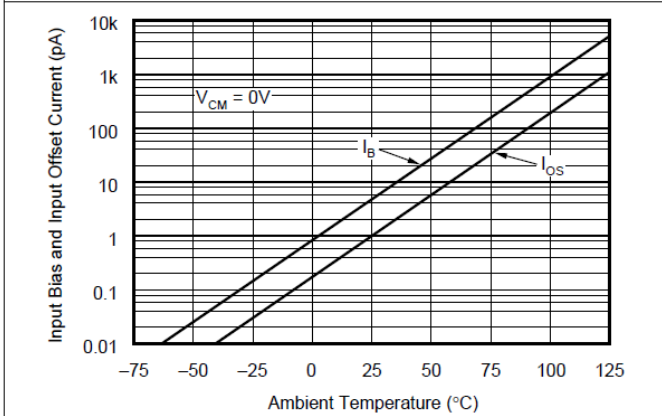


图 5-5. Input Bias and Input Offset Current vs Temperature

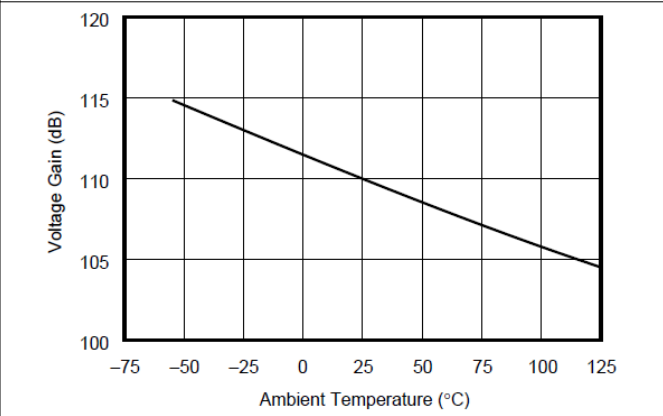


图 5-6. Open-Loop Gain vs Temperature

### 5.7 Typical Characteristics (continued)

at  $T_A = 25^\circ\text{C}$ ,  $V_S = \pm 15\text{V}$ ,  $R_L = 10\text{k}\Omega$  connected to midsupply, and  $V_{CM} = V_{OUT} = \text{midsupply}$  (unless otherwise noted)

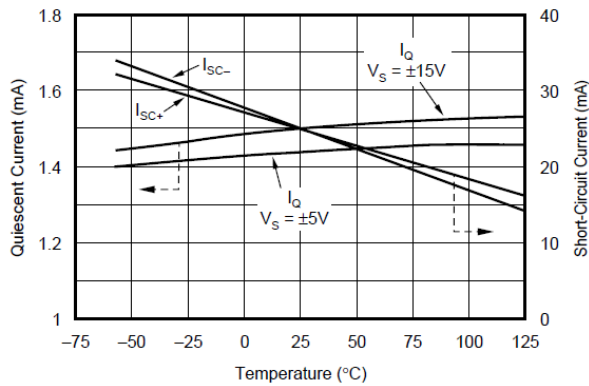


图 5-7. Quiescent Current and Short-Circuit Current vs Temperature

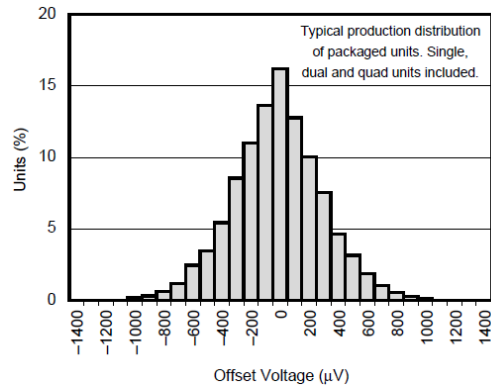


图 5-8. Offset Voltage Production Distribution

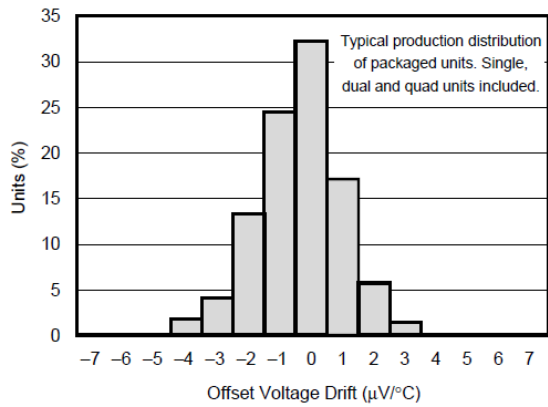


图 5-9. Offset Voltage Drift Production Distribution

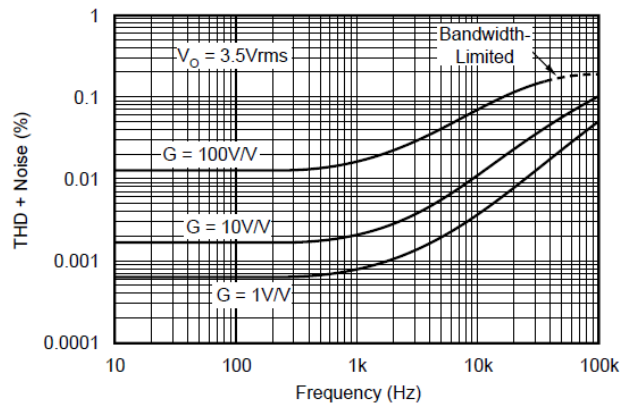


图 5-10. Total Harmonic Distortion + Noise vs Frequency

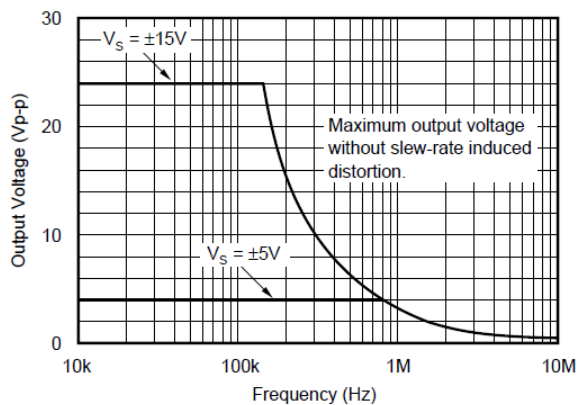


图 5-11. Maximum Output Voltage vs Frequency

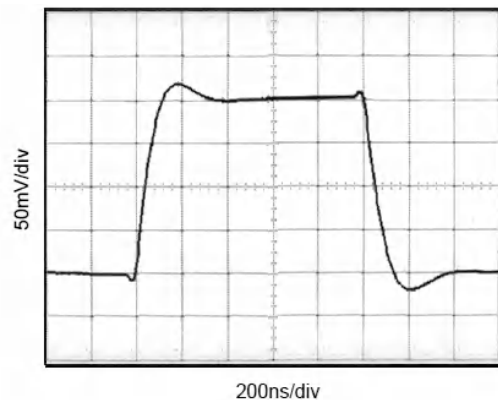


图 5-12. Small-Signal Step Response  $G = 1$ ,  $C_L = 300\text{pF}$

### 5.7 Typical Characteristics (continued)

at  $T_A = 25^\circ\text{C}$ ,  $V_S = \pm 15\text{V}$ ,  $R_L = 10\text{k}\Omega$  connected to midsupply, and  $V_{CM} = V_{OUT} = \text{midsupply}$  (unless otherwise noted)

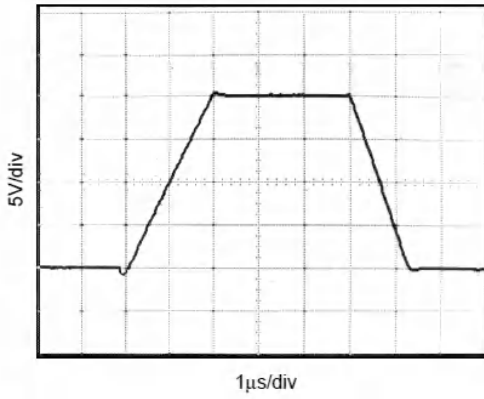


图 5-13. Large-Signal Step Response  $G = 1$ ,  $C_L = 300\text{pF}$

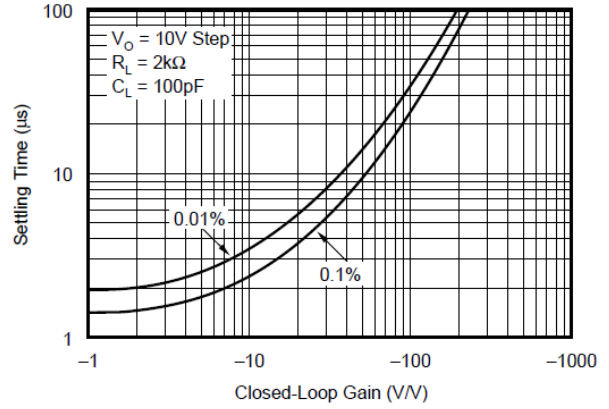


图 5-14. Settling Time vs Closed-Loop Gain

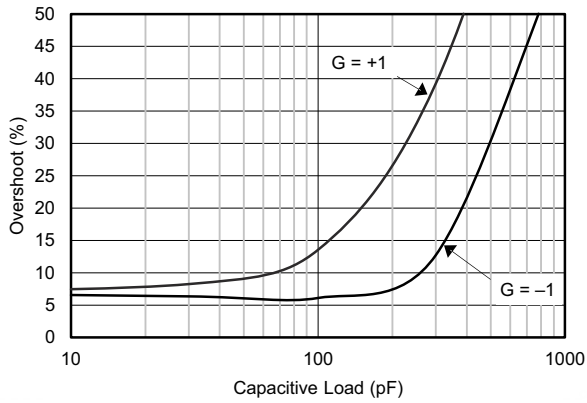


图 5-15. Small-Signal Overshoot vs Load Capacitance

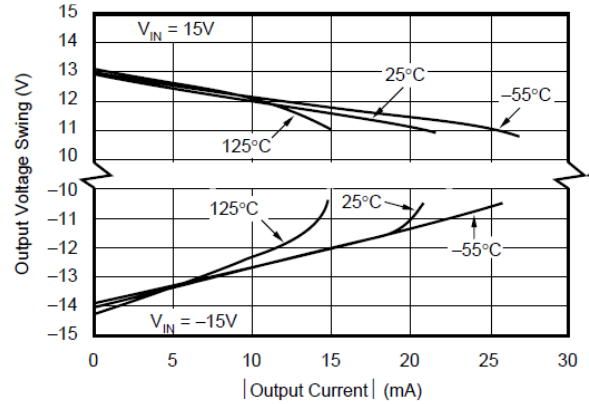


图 5-16. Output Voltage Swing vs Output Current

## 6 Application and Implementation

### 备注

Information in the following applications sections is not part of the TI component specification, and TI does not warrant its accuracy or completeness. TI's customers are responsible for determining suitability of components for their purposes, as well as validating and testing their design implementation to confirm system functionality.

### 6.1 Application Information

The OPAx131 series op amps are unity-gain stable and an excellent choice for a wide range of general-purpose applications. Bypass power-supply pins with 10nF ceramic capacitors or larger.

The OPAx131 series op amps are free from unexpected output phase-reversal common with FET op amps. Many FET-input op amps exhibit phase-reversal of the output when the input common-mode voltage range is exceeded. This can occur in voltage-follower circuits, causing serious problems in control-loop applications. All circuitry is completely independent in dual and quad versions, and normal behavior can be expected when one amplifier in a package is overdriven or short-circuited.

#### 6.1.1 Offset Voltage Trim

The offset voltage of the OPAx131 amplifiers is laser trimmed and usually requires no user adjustment. The OPAx131 provide less than  $\pm 1\text{mV}$  of input offset voltage and less than  $10\mu\text{V}/^\circ\text{C}$  of input offset voltage drift over the operating temperature range.

### 6.2 Typical Application

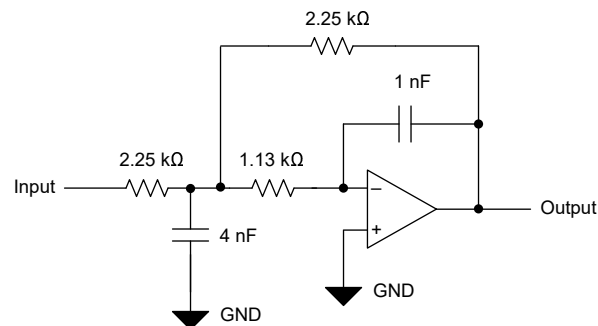


图 6-1. Second-Order Low-Pass Filter

#### 6.2.1 Input Bias Current

The input bias current is approximately 5pA at room temperature and increases with temperature (see also 图 5-5). Input bias current also varies with common-mode voltage and power-supply voltage. This variation depends on the voltage between the negative power supply and the common-mode input voltage.

## 7 Device and Documentation Support

TI offers an extensive line of development tools. Tools and software to evaluate the performance of the device, generate code, and develop solutions are listed below.

### 7.1 接收文档更新通知

要接收文档更新通知，请导航至 [ti.com](https://www.ti.com) 上的器件产品文件夹。点击 [通知](#) 进行注册，即可每周接收产品信息更改摘要。有关更改的详细信息，请查看任何已修订文档中包含的修订历史记录。

### 7.2 支持资源

TI E2E™ [中文支持论坛](#) 是工程师的重要参考资料，可直接从专家处获得快速、经过验证的解答和设计帮助。搜索现有解答或提出自己的问题，获得所需的快速设计帮助。

链接的内容由各个贡献者“按原样”提供。这些内容并不构成 TI 技术规范，并且不一定反映 TI 的观点；请参阅 TI 的 [使用条款](#)。

### 7.3 Trademarks

TI E2E™ is a trademark of Texas Instruments.

所有商标均为其各自所有者的财产。

### 7.4 静电放电警告



静电放电 (ESD) 会损坏这个集成电路。德州仪器 (TI) 建议通过适当的预防措施处理所有集成电路。如果不遵守正确的处理和安装程序，可能会损坏集成电路。

ESD 的损坏小至导致微小的性能降级，大至整个器件故障。精密的集成电路可能更容易受到损坏，这是因为非常细微的参数更改都可能会导致器件与其发布的规格不相符。

### 7.5 术语表

[TI 术语表](#) 本术语表列出并解释了术语、首字母缩略词和定义。

## 8 Revision History

注：以前版本的页码可能与当前版本的页码不同

Changes from Revision A (December 2002) to Revision B (July 2024)	Page
• 更新了整个文档中的表格、图和交叉参考的编号格式.....	1
• 添加了 <a href="#">器件信息表</a> 和 <a href="#">应用、引脚配置和功能、规格、建议运行条件、热性能信息、应用和实施、典型应用、器件和文档支持</a> 以及 <a href="#">机械、封装和可订购信息</a> 部分.....	1
• 更新了 <a href="#">说明</a> .....	1
• Deleted obsolete PDIP packages for OPA131 and OPA2131.....	3
• Updated input voltage in <i>Absolute Maximum Ratings</i> .....	6
• Added input current and related footnote to <i>Absolute Maximum Ratings</i> .....	6
• Changed format of <i>Electrical Characteristics</i> to latest standard.....	8
• Updated nominal conditions in the header of <i>Electrical Characteristics</i> .....	8
• Deleted channel separation specification.....	8
• Updated common-mode voltage MAX value.....	8
• Updated common-mode rejection ratio and common-mode input impedance test conditions.....	8
• Changed differential input impedance from $10^{10}\Omega \parallel 1\text{pF}$ to $10^{10}\Omega \parallel 5\text{pF}$ .....	8
• Changed common-mode input impedance from $10^{10}\Omega \parallel 3\text{pF}$ to $10^{10}\Omega \parallel 4.3\text{pF}$ .....	8
• Updated open loop voltage gain MIN and TYP values for $R_L = 10\text{k}\Omega$ and $R_L = 2\text{k}\Omega$ .....	8
• Updated settling time test condition.....	8
• Moved voltage output negative MIN values to MAX values.....	8
• Deleted note 1 from <i>Electrical Characteristics</i> .....	8

- Updated Figure 5-15, *Small-Signal Overshoot vs Load Capacitance* ..... 9
  - Updated text in *Offset Voltage Trim* ..... 12
  - Changed Figure 1, OPA130 Offset Voltage Trim Circuit, to Figure 6-1, Second-Order Low-Pass Filter..... 12
  - Updated *Input Bias Current* description..... 12
- 

## 9 Mechanical, Packaging, and Orderable Information

The following pages include mechanical, packaging, and orderable information. This information is the most current data available for the designated devices. This data is subject to change without notice and revision of this document. For browser-based versions of this data sheet, refer to the left-hand navigation.

**PACKAGING INFORMATION**

Orderable Device	Status (1)	Package Type	Package Drawing	Pins	Package Qty	Eco Plan (2)	Lead finish/ Ball material (6)	MSL Peak Temp (3)	Op Temp (°C)	Device Marking (4/5)	Samples
OPA131U	ACTIVE	SOIC	D	8	75	RoHS & Green	Call TI   NIPDAU	Level-3-260C-168 HR	-55 to 125	(O131U, OPA) 131U	<a href="#">Samples</a>
OPA131UA	ACTIVE	SOIC	D	8	75	RoHS & Green	Call TI   NIPDAU	Level-3-260C-168 HR	-55 to 125	(O131U, OPA) 131U A	<a href="#">Samples</a>
OPA131UA/2K5	ACTIVE	SOIC	D	8	2500	RoHS & Green	Call TI   NIPDAU	Level-3-260C-168 HR	-55 to 125	(O131U, OPA) 131U A	<a href="#">Samples</a>
OPA131UJ	ACTIVE	SOIC	D	8	75	RoHS & Green	NIPDAU	Level-3-260C-168 HR	-55 to 125	(O131UJ, OPA) 131UJ	<a href="#">Samples</a>
OPA131UJ/2K5	ACTIVE	SOIC	D	8	2500	RoHS & Green	NIPDAU	Level-3-260C-168 HR	-55 to 125	(O131UJ, OPA) 131UJ	<a href="#">Samples</a>
OPA2131UA	ACTIVE	SOIC	D	8	75	RoHS & Green	NIPDAU	Level-3-260C-168 HR	-55 to 125	(2131UA, OPA)	<a href="#">Samples</a>
OPA2131UA/2K5	ACTIVE	SOIC	D	8	2500	RoHS & Green	NIPDAU	Level-3-260C-168 HR	-55 to 125	(2131UA, OPA)	<a href="#">Samples</a>
OPA2131UJ	ACTIVE	SOIC	D	8	75	RoHS & Green	NIPDAU	Level-3-260C-168 HR		(2131UJ, OPA)	<a href="#">Samples</a>
OPA2131UJ/2K5	ACTIVE	SOIC	D	8	2500	RoHS & Green	NIPDAU	Level-3-260C-168 HR		(2131UJ, OPA)	<a href="#">Samples</a>
OPA4131NA	ACTIVE	SOIC	D	14	50	RoHS & Green	NIPDAU-DCC	Level-3-260C-168 HR	-40 to 85	OPA4131NA	<a href="#">Samples</a>
OPA4131NJ	ACTIVE	SOIC	D	14	50	RoHS & Green	NIPDAU-DCC	Level-3-260C-168 HR	-40 to 85	OPA4131NJ	<a href="#">Samples</a>
OPA4131PA	ACTIVE	PDIP	N	14	25	RoHS & Green	NIPDAU	N / A for Pkg Type	-40 to 85	OPA4131PA	<a href="#">Samples</a>
OPA4131PAG4	ACTIVE	PDIP	N	14	25	RoHS & Green	NIPDAU	N / A for Pkg Type	-40 to 85	OPA4131PA	<a href="#">Samples</a>
OPA4131PJ	ACTIVE	PDIP	N	14	25	RoHS & Green	NIPDAU	N / A for Pkg Type	-40 to 85	OPA4131PJ	<a href="#">Samples</a>
OPA4131UA	ACTIVE	SOIC	DW	16	40	RoHS & Green	NIPDAU-DCC	Level-3-260C-168 HR	-40 to 85	OPA4131UA	<a href="#">Samples</a>
OPA4131UA/1K	ACTIVE	SOIC	DW	16	1000	RoHS & Green	NIPDAU-DCC	Level-3-260C-168 HR	-40 to 85	OPA4131UA	<a href="#">Samples</a>

(1) The marketing status values are defined as follows:

**ACTIVE:** Product device recommended for new designs.

**LIFEBUY:** TI has announced that the device will be discontinued, and a lifetime-buy period is in effect.

**NRND:** Not recommended for new designs. Device is in production to support existing customers, but TI does not recommend using this part in a new design.

**PREVIEW:** Device has been announced but is not in production. Samples may or may not be available.

**OBSOLETE:** TI has discontinued the production of the device.

<sup>(2)</sup> **RoHS:** TI defines "RoHS" to mean semiconductor products that are compliant with the current EU RoHS requirements for all 10 RoHS substances, including the requirement that RoHS substance do not exceed 0.1% by weight in homogeneous materials. Where designed to be soldered at high temperatures, "RoHS" products are suitable for use in specified lead-free processes. TI may reference these types of products as "Pb-Free".

**RoHS Exempt:** TI defines "RoHS Exempt" to mean products that contain lead but are compliant with EU RoHS pursuant to a specific EU RoHS exemption.

**Green:** TI defines "Green" to mean the content of Chlorine (Cl) and Bromine (Br) based flame retardants meet JS709B low halogen requirements of  $\leq 1000$ ppm threshold. Antimony trioxide based flame retardants must also meet the  $\leq 1000$ ppm threshold requirement.

<sup>(3)</sup> **MSL, Peak Temp.** - The Moisture Sensitivity Level rating according to the JEDEC industry standard classifications, and peak solder temperature.

<sup>(4)</sup> There may be additional marking, which relates to the logo, the lot trace code information, or the environmental category on the device.

<sup>(5)</sup> Multiple Device Markings will be inside parentheses. Only one Device Marking contained in parentheses and separated by a "~" will appear on a device. If a line is indented then it is a continuation of the previous line and the two combined represent the entire Device Marking for that device.

<sup>(6)</sup> **Lead finish/Ball material** - Orderable Devices may have multiple material finish options. Finish options are separated by a vertical ruled line. Lead finish/Ball material values may wrap to two lines if the finish value exceeds the maximum column width.

**Important Information and Disclaimer:** The information provided on this page represents TI's knowledge and belief as of the date that it is provided. TI bases its knowledge and belief on information provided by third parties, and makes no representation or warranty as to the accuracy of such information. Efforts are underway to better integrate information from third parties. TI has taken and continues to take reasonable steps to provide representative and accurate information but may not have conducted destructive testing or chemical analysis on incoming materials and chemicals. TI and TI suppliers consider certain information to be proprietary, and thus CAS numbers and other limited information may not be available for release.

In no event shall TI's liability arising out of such information exceed the total purchase price of the TI part(s) at issue in this document sold by TI to Customer on an annual basis.



**TAPE AND REEL INFORMATION**

**QUADRANT ASSIGNMENTS FOR PIN 1 ORIENTATION IN TAPE**


\*All dimensions are nominal

Device	Package Type	Package Drawing	Pins	SPQ	Reel Diameter (mm)	Reel Width W1 (mm)	A0 (mm)	B0 (mm)	K0 (mm)	P1 (mm)	W (mm)	Pin1 Quadrant
OPA131UA/2K5	SOIC	D	8	2500	330.0	12.4	6.4	5.2	2.1	8.0	12.0	Q1
OPA131UA/2K5	SOIC	D	8	2500	330.0	12.4	6.4	5.2	2.1	8.0	12.0	Q1
OPA131UJ/2K5	SOIC	D	8	2500	330.0	12.4	6.4	5.2	2.1	8.0	12.0	Q1
OPA131UJ/2K5	SOIC	D	8	2500	330.0	12.4	6.4	5.2	2.1	8.0	12.0	Q1
OPA2131UA/2K5	SOIC	D	8	2500	330.0	12.4	6.4	5.2	2.1	8.0	12.0	Q1
OPA2131UJ/2K5	SOIC	D	8	2500	330.0	12.4	6.4	5.2	2.1	8.0	12.0	Q1
OPA4131UA/1K	SOIC	DW	16	1000	330.0	16.4	10.75	10.7	2.7	12.0	16.0	Q1

## TAPE AND REEL BOX DIMENSIONS



\*All dimensions are nominal

Device	Package Type	Package Drawing	Pins	SPQ	Length (mm)	Width (mm)	Height (mm)
OPA131UA/2K5	SOIC	D	8	2500	353.0	353.0	32.0
OPA131UA/2K5	SOIC	D	8	2500	356.0	356.0	35.0
OPA131UJ/2K5	SOIC	D	8	2500	356.0	356.0	35.0
OPA131UJ/2K5	SOIC	D	8	2500	356.0	356.0	35.0
OPA2131UA/2K5	SOIC	D	8	2500	356.0	356.0	35.0
OPA2131UJ/2K5	SOIC	D	8	2500	356.0	356.0	35.0
OPA4131UA/1K	SOIC	DW	16	1000	356.0	356.0	35.0

**TUBE**


\*All dimensions are nominal

Device	Package Name	Package Type	Pins	SPQ	L (mm)	W (mm)	T (μm)	B (mm)
OPA131U	D	SOIC	8	75	506.6	8	3940	4.32
OPA131U	D	SOIC	8	75	506.6	8	3940	4.32
OPA131UA	D	SOIC	8	75	506.6	8	3940	4.32
OPA131UA	D	SOIC	8	75	506.6	8	3940	4.32
OPA131UJ	D	SOIC	8	75	506.6	8	3940	4.32
OPA2131UA	D	SOIC	8	75	506.6	8	3940	4.32
OPA2131UAE4	D	SOIC	8	75	506.6	8	3940	4.32
OPA2131UAG4	D	SOIC	8	75	506.6	8	3940	4.32
OPA2131UJ	D	SOIC	8	75	506.6	8	3940	4.32
OPA4131NA	D	SOIC	14	50	506.6	8	3940	4.32
OPA4131NJ	D	SOIC	14	50	506.6	8	3940	4.32
OPA4131PA	N	PDIP	14	25	506	13.97	11230	4.32
OPA4131PAG4	N	PDIP	14	25	506	13.97	11230	4.32
OPA4131PJ	N	PDIP	14	25	506	13.97	11230	4.32
OPA4131UA	DW	SOIC	16	40	507	12.83	5080	6.6

## GENERIC PACKAGE VIEW

**DW 16**

**SOIC - 2.65 mm max height**

7.5 x 10.3, 1.27 mm pitch

SMALL OUTLINE INTEGRATED CIRCUIT

This image is a representation of the package family, actual package may vary.  
Refer to the product data sheet for package details.



4224780/A

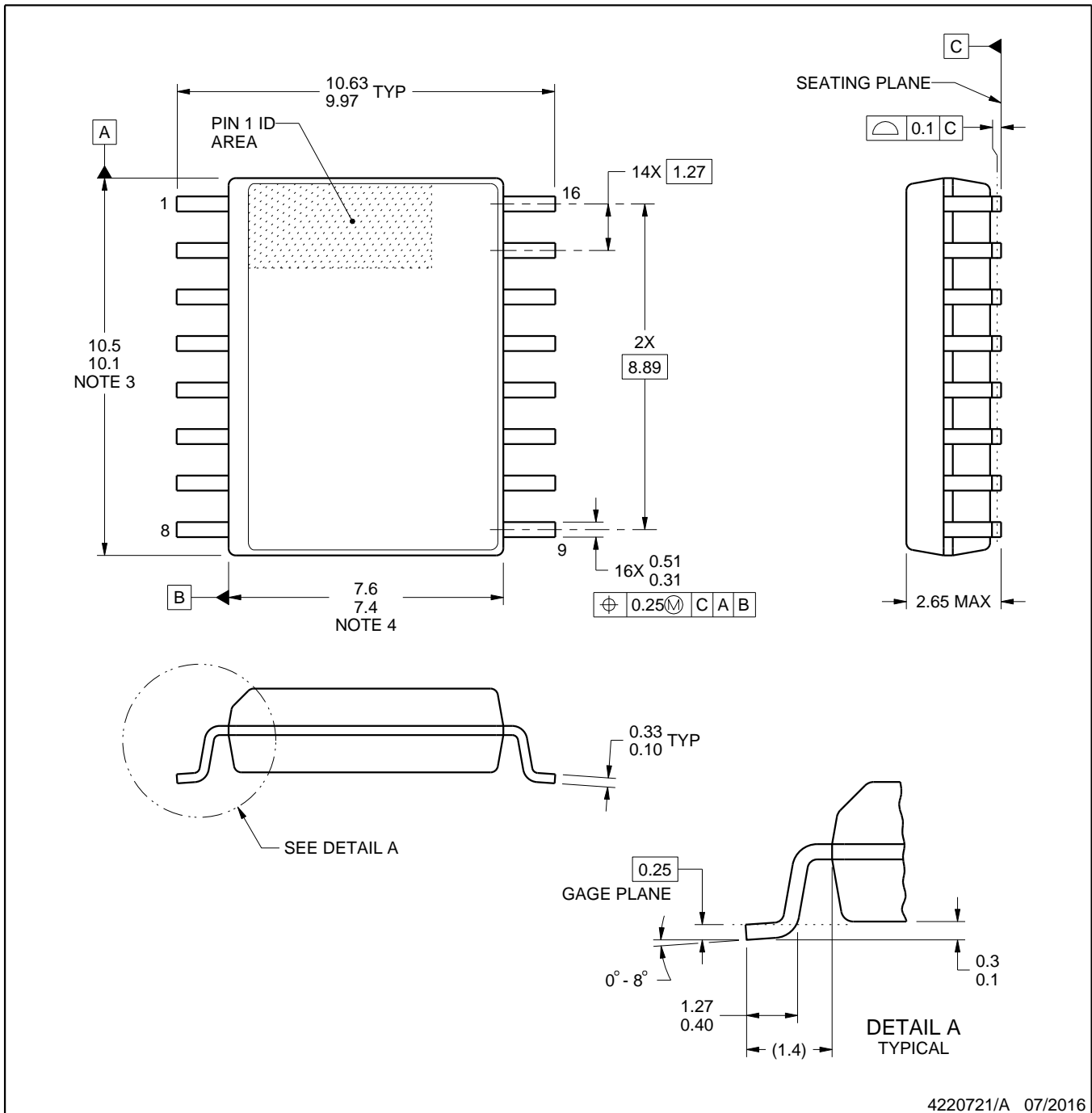


DW0016A

# PACKAGE OUTLINE

SOIC - 2.65 mm max height

SOIC



4220721/A 07/2016

NOTES:

1. All linear dimensions are in millimeters. Dimensions in parenthesis are for reference only. Dimensioning and tolerancing per ASME Y14.5M.
2. This drawing is subject to change without notice.
3. This dimension does not include mold flash, protrusions, or gate burrs. Mold flash, protrusions, or gate burrs shall not exceed 0.15 mm, per side.
4. This dimension does not include interlead flash. Interlead flash shall not exceed 0.25 mm, per side.
5. Reference JEDEC registration MS-013.

# EXAMPLE BOARD LAYOUT

DW0016A

SOIC - 2.65 mm max height

SOIC



LAND PATTERN EXAMPLE  
SCALE:7X



SOLDER MASK DETAILS

4220721/A 07/2016

NOTES: (continued)

6. Publication IPC-7351 may have alternate designs.

7. Solder mask tolerances between and around signal pads can vary based on board fabrication site.

# EXAMPLE STENCIL DESIGN

DW0016A

SOIC - 2.65 mm max height

SOIC



SOLDER PASTE EXAMPLE  
BASED ON 0.125 mm THICK STENCIL  
SCALE:7X

4220721/A 07/2016

NOTES: (continued)

8. Laser cutting apertures with trapezoidal walls and rounded corners may offer better paste release. IPC-7525 may have alternate design recommendations.
9. Board assembly site may have different recommendations for stencil design.

D (R-PDSO-G14)

PLASTIC SMALL OUTLINE



- NOTES:
- A. All linear dimensions are in inches (millimeters).
  - B. This drawing is subject to change without notice.
  - Body length does not include mold flash, protrusions, or gate burrs. Mold flash, protrusions, or gate burrs shall not exceed 0.006 (0,15) each side.
  - Body width does not include interlead flash. Interlead flash shall not exceed 0.017 (0,43) each side.
  - E. Reference JEDEC MS-012 variation AB.



D (R-PDSO-G14)

PLASTIC SMALL OUTLINE



- NOTES:
- All linear dimensions are in millimeters.
  - This drawing is subject to change without notice.
  - Publication IPC-7351 is recommended for alternate designs.
  - Laser cutting apertures with trapezoidal walls and also rounding corners will offer better paste release. Customers should contact their board assembly site for stencil design recommendations. Refer to IPC-7525 for other stencil recommendations.
  - Customers should contact their board fabrication site for solder mask tolerances between and around signal pads.



D0008A

# PACKAGE OUTLINE

SOIC - 1.75 mm max height

SMALL OUTLINE INTEGRATED CIRCUIT



4214825/C 02/2019

NOTES:

1. Linear dimensions are in inches [millimeters]. Dimensions in parenthesis are for reference only. Controlling dimensions are in inches. Dimensioning and tolerancing per ASME Y14.5M.
2. This drawing is subject to change without notice.
3. This dimension does not include mold flash, protrusions, or gate burrs. Mold flash, protrusions, or gate burrs shall not exceed  $.006$  [0.15] per side.
4. This dimension does not include interlead flash.
5. Reference JEDEC registration MS-012, variation AA.

# EXAMPLE BOARD LAYOUT

D0008A

SOIC - 1.75 mm max height

SMALL OUTLINE INTEGRATED CIRCUIT



LAND PATTERN EXAMPLE  
EXPOSED METAL SHOWN  
SCALE:8X



SOLDER MASK DETAILS

4214825/C 02/2019

NOTES: (continued)

- 6. Publication IPC-7351 may have alternate designs.
- 7. Solder mask tolerances between and around signal pads can vary based on board fabrication site.

# EXAMPLE STENCIL DESIGN

D0008A

SOIC - 1.75 mm max height

SMALL OUTLINE INTEGRATED CIRCUIT



SOLDER PASTE EXAMPLE  
BASED ON .005 INCH [0.125 MM] THICK STENCIL  
SCALE:8X

4214825/C 02/2019

NOTES: (continued)

8. Laser cutting apertures with trapezoidal walls and rounded corners may offer better paste release. IPC-7525 may have alternate design recommendations.
9. Board assembly site may have different recommendations for stencil design.

N (R-PDIP-T\*\*)

PLASTIC DUAL-IN-LINE PACKAGE

16 PINS SHOWN



- NOTES:
- A. All linear dimensions are in inches (millimeters).
  - B. This drawing is subject to change without notice.
  - $\triangle C$  Falls within JEDEC MS-001, except 18 and 20 pin minimum body length (Dim A).
  - $\triangle D$  The 20 pin end lead shoulder width is a vendor option, either half or full width.

4040049/E 12/2002

## 重要声明和免责声明

TI“按原样”提供技术和可靠性数据（包括数据表）、设计资源（包括参考设计）、应用或其他设计建议、网络工具、安全信息和其他资源，不保证没有瑕疵且不做任何明示或暗示的担保，包括但不限于对适销性、某特定用途方面的适用性或不侵犯任何第三方知识产权的暗示担保。

这些资源可供使用 TI 产品进行设计的熟练开发人员使用。您将自行承担以下全部责任：(1) 针对您的应用选择合适的 TI 产品，(2) 设计、验证并测试您的应用，(3) 确保您的应用满足相应标准以及任何其他功能安全、信息安全、监管或其他要求。

这些资源如有变更，恕不另行通知。TI 授权您仅可将这些资源用于研发本资源所述的 TI 产品的应用。严禁对这些资源进行其他复制或展示。您无权使用任何其他 TI 知识产权或任何第三方知识产权。您应全额赔偿因在这些资源的使用中对 TI 及其代表造成的任何索赔、损害、成本、损失和债务，TI 对此概不负责。

TI 提供的产品受 [TI 的销售条款](#) 或 [ti.com](#) 上其他适用条款/TI 产品随附的其他适用条款的约束。TI 提供这些资源并不会扩展或以其他方式更改 TI 针对 TI 产品发布的适用的担保或担保免责声明。

TI 反对并拒绝您可能提出的任何其他或不同的条款。

邮寄地址：Texas Instruments, Post Office Box 655303, Dallas, Texas 75265

Copyright © 2024，德州仪器 (TI) 公司