

SN74HC4066 四路双边模拟开关

1 特性

- 1V 至 6V 的宽工作电压范围
- 18ns 的典型开关启用时间
- 低功耗， I_{CC} 最大值为 20 μ A
- 低输入电流，最大值 1 μ A
- 高度线性
- 高开关输出电压比
- 低开关间串扰
- 低导通状态阻抗： $V_{CC} = 6V$ 时典型值为 50 Ω
- 单独的开关控制

2 应用

- 模拟信号开关或多路复用：
 - 信号门控、调制器、静噪控制、解调器、斩波器、换向开关
- 数字信号开关和多路复用：
 - [音频和视频信号路由](#)
- [传输门逻辑实施](#)
- [模数和数模转换](#)
- [频率、阻抗、相位和模拟信号增益的数字控制](#)
- [电机转速控制](#)
- [电池充电器](#)
- [直流/直流转换器](#)

3 说明

SN74HC4066 器件是一种设计用于处理模拟和数字信号的硅栅 CMOS 四路模拟开关。每个开关允许在任意方向传输振幅高达 6V (峰值) 的信号。

每个开关部分都有自己的启用输入控制 (C)。应用到 C 上的一个高电平电压开启相关开关部分。

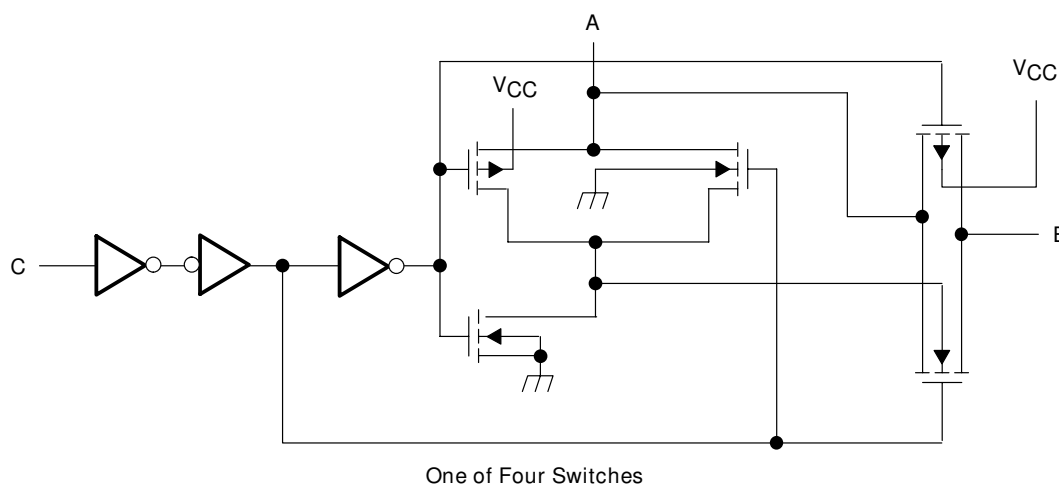
应用包括用于模数和数模转换系统的信号选通、斩波、调制或者解调 (modem)，以及信号复用。

封装信息

器件型号	封装 ⁽¹⁾	封装尺寸 ⁽²⁾
SN74HC4066	D (SOIC, 14)	8.65mm x 6mm
	PW (TSSOP, 14)	5mm x 6.4mm

(1) 有关更多信息，请参阅节 11。

(2) 封装尺寸 (长 × 宽) 为标称值，并包括引脚 (如适用)。



Copyright © 2016, Texas Instruments Incorporated

逻辑图、每次转换 (正逻辑)



Table of Contents

1 特性	1	7.3 Feature Description.....	13
2 应用	1	7.4 Device Functional Modes.....	13
3 说明	1	8 Application and Implementation	14
4 Pin Configuration and Functions	3	8.1 Application Information.....	14
5 Specifications	4	8.2 Typical Application.....	14
5.1 Absolute Maximum Ratings.....	4	8.3 Power Supply Recommendations.....	15
5.2 ESD Ratings.....	4	8.4 Layout.....	15
5.3 Recommended Operating Conditions.....	4	9 Device and Documentation Support	17
5.4 Thermal Information.....	5	9.1 Documentation Support.....	17
5.5 Electrical Characteristics.....	5	9.2 接收文档更新通知.....	17
5.6 Switching Characteristics.....	6	9.3 支持资源.....	17
5.7 Operating Characteristics.....	6	9.4 Trademarks.....	17
5.8 Typical Characteristics.....	7	9.5 静电放电警告.....	17
6 Parameter Measurement Information	8	9.6 术语表.....	17
7 Detailed Description	13	10 Revision History	17
7.1 Overview.....	13	11 Mechanical, Packaging, and Orderable Information	18
7.2 Functional Block Diagram.....	13		

4 Pin Configuration and Functions

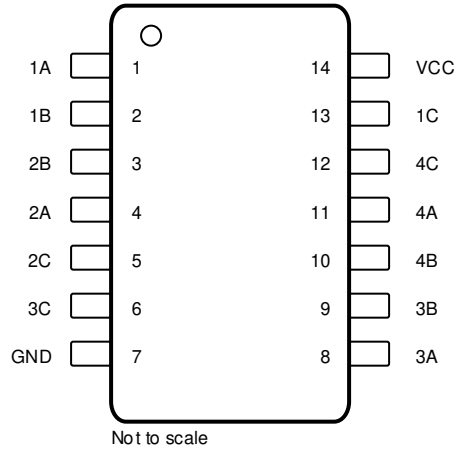


图 4-1. D or PW Package, 14-Pin SOIC or TSSOP (Top View)

表 4-1. Pin Functions

PIN		TYPE ⁽¹⁾	DESCRIPTION
NAME	NO.		
1A	1	I/O	Switch 1 input/output
1B	2	I/O	Switch 1 output/input
2B	3	I/O	Switch 2 output/input
2A	4	I/O	Switch 2 input/output
2C	5	I	Switch 2 control
3C	6	I	Switch 3 control
GND	7	—	Ground
3A	8	I/O	Switch 3 input/output
3B	9	I/O	Switch 3 output/input
4B	10	I/O	Switch 4 output/input
4A	11	I/O	Switch 4 input/output
4C	12	I	Switch 4 control
1C	13	I	Switch 1 control
V _{CC}	14	—	Power

(1) I = input, O = output

5 Specifications

5.1 Absolute Maximum Ratings

over operating free-air temperature range (unless otherwise noted)⁽¹⁾

			MIN	MAX	UNIT
V _{CC}	Supply voltage ⁽²⁾		- 0.5	7	V
I _I	Control-input diode current	V _I < 0 or V _I > V _{CC}		±20	mA
I _I	I/O port diode current	V _I < 0 or V _{I/O} > V _{CC}		±20	mA
	On-state switch current	V _{I/O} = 0 to V _{CC}		±25	mA
	Continuous current through V _{CC} or GND			±50	mA
T _J	Junction temperature			150	°C
T _{stg}	Storage temperature		- 60	150	°C

- (1) Stresses beyond those listed under *Absolute Maximum Ratings* may cause permanent damage to the device. These are stress ratings only, which do not imply functional operation of the device at these or any other conditions beyond those indicated under *Recommended Operating Conditions*. Exposure to absolute-maximum-rated conditions for extended periods may affect device reliability.
- (2) All voltages are with respect to ground unless otherwise specified.

5.2 ESD Ratings

			VALUE	UNIT
V _(ESD)	Electrostatic discharge	Human-body model (HBM), per ANSI/ESDA/JEDEC JS-001 ⁽¹⁾	±1000	V
		Charged-device model (CDM), per JEDEC specification JESD22-C101 ⁽²⁾	±1000	

- (1) JEDEC document JEP155 states that 500-V HBM allows safe manufacturing with a standard ESD control process.
- (2) JEDEC document JEP157 states that 250-V CDM allows safe manufacturing with a standard ESD control process. CDM value for N package only.

5.3 Recommended Operating Conditions

over operating free-air temperature range (unless otherwise noted)⁽¹⁾

			MIN	NOM	MAX	UNIT
V _{CC}	Supply voltage		1 (2)	5	6	V
V _{I/O}	I/O port voltage		0		V _{CC}	V
V _{IH}	High-level input voltage, control inputs	V _{CC} = 2V	1.5		V _{CC}	V
		V _{CC} = 4.5V	3.15		V _{CC}	
		V _{CC} = 6V	4.2		V _{CC}	
V _{IL}	Low-level input voltage, control inputs	V _{CC} = 2V	0		0.3	V
		V _{CC} = 4.5V	0		0.9	
		V _{CC} = 6V	0		1.2	
V _I	Logic control input voltage		0		V _{CC}	V
Δt/Δv	Input transition rise and fall time	V _{CC} = 2V			1000	ns
		V _{CC} = 4.5V			500	
		V _{CC} = 6V			400	
T _A	Operating free-air temperature		- 40		85	°C

- (1) All unused inputs of the device must be held at V_{CC} or GND for proper device operation. See the TI application report, [Implications of Slow or Floating CMOS Inputs](#) (SCBA004).
- (2) With supply voltages at or below 2V, the analog switch on-state resistance becomes very nonlinear. It is recommended that only digital signals be transmitted at these low supply voltages.

5.4 Thermal Information

THERMAL METRIC ⁽¹⁾		SN74HC4066		UNIT
		D (SOIC)	PW (TSSOP)	
		14 PINS	14 PINS	
$R_{\theta JA}$	Junction-to-ambient thermal resistance	127.8	150.6	°C/W
$R_{\theta JC(top)}$	Junction-to-case (top) thermal resistance	81.8	78.2	°C/W
$R_{\theta JB}$	Junction-to-board thermal resistance	84.2	93.7	°C/W
ψ_{JT}	Junction-to-top characterization parameter	39.5	24.6	°C/W
ψ_{JB}	Junction-to-board characterization parameter	83.7	93.1	°C/W

(1) For more information about traditional and new thermal metrics, see the [Semiconductor and IC Package Thermal Metrics](#) application report.

5.5 Electrical Characteristics

$T_A = -40$ to $+85$ °C unless otherwise specified.

PARAMETER		TEST CONDITIONS	V_{CC}	MIN	TYP	MAX	UNIT
r_{on}	On-state switch resistance	$I_T = -1\text{mA}$, $V_I = 0$ to V_{CC} , $V_C = V_{IH}$ (see 图 6-1)	$T_A = 25^\circ\text{C}$	2V	150		Ω
			$T_A = 25^\circ\text{C}$	4.5V	50 85		
			$T_A = -40$ to $+85$		106		
			$T_A = 25^\circ\text{C}$	6V	30		
$r_{on(p)}$	Peak on-state resistance	$V_I = V_{CC}$ or GND, $V_C = V_{IH}$, $I_T = -1\text{mA}$	$T_A = 25^\circ\text{C}$	2V	320		Ω
			$T_A = 25^\circ\text{C}$	4.5V	70 170		
			$T_A = -40$ to $+85$		215		
			$T_A = 25^\circ\text{C}$	6V	50		
I_{IH} I_{IL}	Control input current	$V_C = 0$ or V_{CC}	$T_A = 25^\circ\text{C}$	6V	± 0.1	± 100	nA
			$T_A = -40$ to $+85$		± 1000		
I_{soff}	Off-state switch leakage current	$V_I = V_{CC}$ or 0, $V_O = V_{CC}$ or 0, $V_C = V_{IL}$ (see 图 6-2)	$T_A = -40$ to $+85$	6V	± 5		μA
			$T_A = 25^\circ\text{C}$		± 0.1		
I_{son}	On-state switch leakage current	$V_I = V_{CC}$ or 0, $V_C = V_{IH}$ (see 图 6-3)	$T_A = -40$ to $+85$	6V	± 5		μA
			$T_A = 25^\circ\text{C}$		± 0.1		
I_{CC}	Supply current	$V_I = 0$ or V_{CC} , $I_O = 0$	$T_A = -40$ to $+85$	6V	20		μA
			$T_A = 25^\circ\text{C}$		2		
C_i	Input capacitance	A or B	$T_A = 25^\circ\text{C}$	5V	8		pF
		C	$T_A = -40$ to $+85$		10		
			$T_A = 25^\circ\text{C}$		3	10	
C_f	Feed-through capacitance	A to B	$V_I = 0$		0.5		pF
C_o	Output capacitance	A or B		5V	9		pF

5.6 Switching Characteristics

$T_A = -40$ to $+85$ °C unless otherwise specified.

PARAMETER		FROM (INPUT)	TO (OUTPUT)	TEST CONDITIONS	V_{CC}	MIN	TYP	MAX	UNIT			
t_{PLH} , t_{PHL}	Propagation delay time	A or B	B or A	$C_L = 50\text{pF}$ (see 图 6-4)	2V		$T_A = 25^\circ\text{C}$	10	60	ns		
							$T_A = -40$ to $+85$		75			
					4.5V		$T_A = 25^\circ\text{C}$		4		12	
							$T_A = -40$ to $+85$				15	
					6V		$T_A = 25^\circ\text{C}$				3	10
							$T_A = -40$ to $+85$					13
t_{PZH} , t_{PZL}	Switch turn-on time	C	A or B	$R_L = 1\text{k}\Omega$, $C_L = 50\text{pF}$ (see 图 6-5)	2V		$T_A = 25^\circ\text{C}$	70	180	ns		
							$T_A = -40$ to $+85$				225	
					4.5V		$T_A = 25^\circ\text{C}$		21		36	
							$T_A = -40$ to $+85$				45	
					6V		$T_A = 25^\circ\text{C}$				18	31
							$T_A = -40$ to $+85$					38
t_{PLZ} , t_{PHZ}	Switch turn-off time	C	A or B	$R_L = 1\text{k}\Omega$, $C_L = 50\text{pF}$ (see 图 6-5)	2V		$T_A = 25^\circ\text{C}$	50	200	ns		
							$T_A = -40$ to $+85$				250	
					4.5V		$T_A = 25^\circ\text{C}$		25		40	
							$T_A = -40$ to $+85$				50	
					6V		$T_A = 25^\circ\text{C}$				22	34
							$T_A = -40$ to $+85$					43
f_i	Control input frequency	C	A or B	$C_L = 15\text{pF}$, $R_L = 1\text{k}\Omega$, $V_C = V_{CC}$ or GND, $V_O = V_{CC} / 2$ (see 图 6-6)	$T_A = 25^\circ\text{C}$	2V		15	MHz			
					$T_A = 25^\circ\text{C}$	4.5V		30				
					$T_A = 25^\circ\text{C}$	6V		30				
	Control feed-through noise	C	A or B	$C_L = 50\text{pF}$, $R_{in} = R_L = 600\Omega$, $V_C = V_{CC}$ or GND, $f_{in} = 1\text{MHz}$ (see 图 6-7)	$T_A = 25^\circ\text{C}$	4.5V		15	mV (rms)			
					$T_A = 25^\circ\text{C}$	6V		20				

5.7 Operating Characteristics

$V_{CC} = 4.5\text{V}$, $T_A = 25^\circ\text{C}$

PARAMETER		TEST CONDITIONS		TYP	UNIT
C_{pd}	Power dissipation capacitance per gate	$C_L = 50\text{pF}$,	$f = 1\text{MHz}$	45	pF
	Minimum through bandwidth, A to B or B to A ⁽¹⁾ $[20 \log (V_O / V_I)] = -3$ dB	$C_L = 50\text{pF}$, $V_C = V_{CC}$	$R_L = 600\Omega$, (see 图 6-8)	100	MHz
	Crosstalk between any switches ⁽²⁾	$C_L = 10\text{pF}$, $f_{in} = 1\text{MHz}$	$R_L = 50\Omega$, (see 图 6-9)	-45	dB
	Feed through, switch off, A to B or B to A ⁽²⁾	$C_L = 50\text{pF}$, $f_{in} = 1\text{MHz}$	$R_L = 600\Omega$, (see 图 6-10)	-42	dB
	Amplitude distortion rate, A to B or B to A	$C_L = 50\text{pF}$, $f_{in} = 1\text{kHz}$	$R_L = 10\text{k}\Omega$, (see 图 6-11)	0.05%	

(1) Adjust the input amplitude for output = 0 dBm at $f = 1\text{MHz}$. Input signal must be a sine wave.

(2) Adjust the input amplitude for input = 0 dBm at $f = 1\text{MHz}$. Input signal must be a sine wave.

5.8 Typical Characteristics

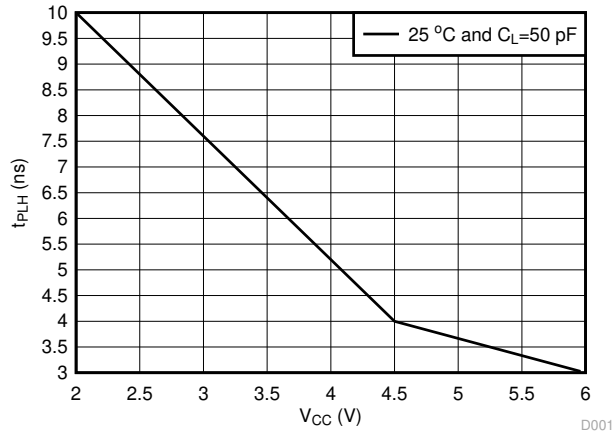


图 5-1. t_{PLH} vs V_{CC}

6 Parameter Measurement Information

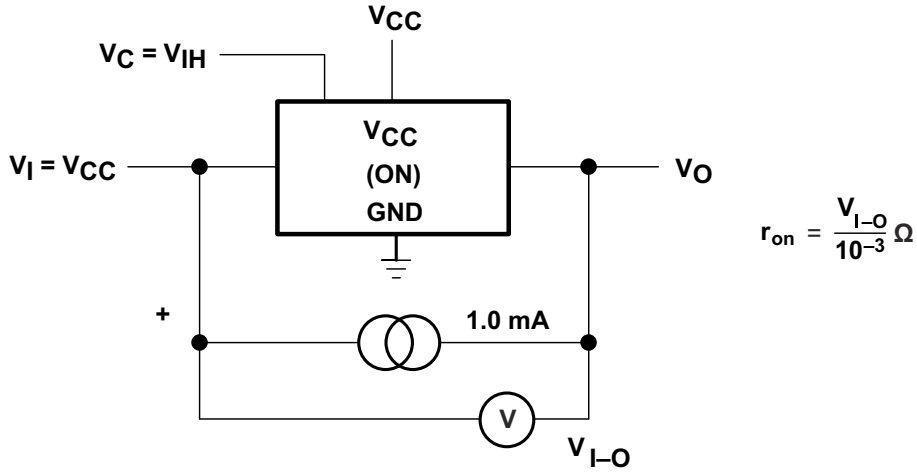


图 6-1. ON-State Resistance Test Circuit

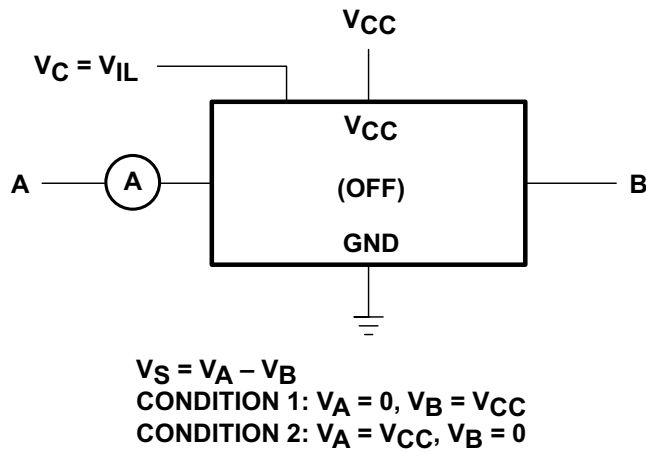


图 6-2. OFF-State Switch Leakage-Current Test Circuit

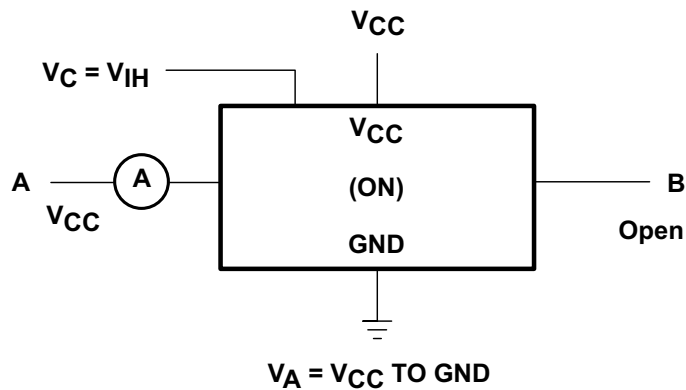


图 6-3. ON-State Leakage-Current Test Circuit

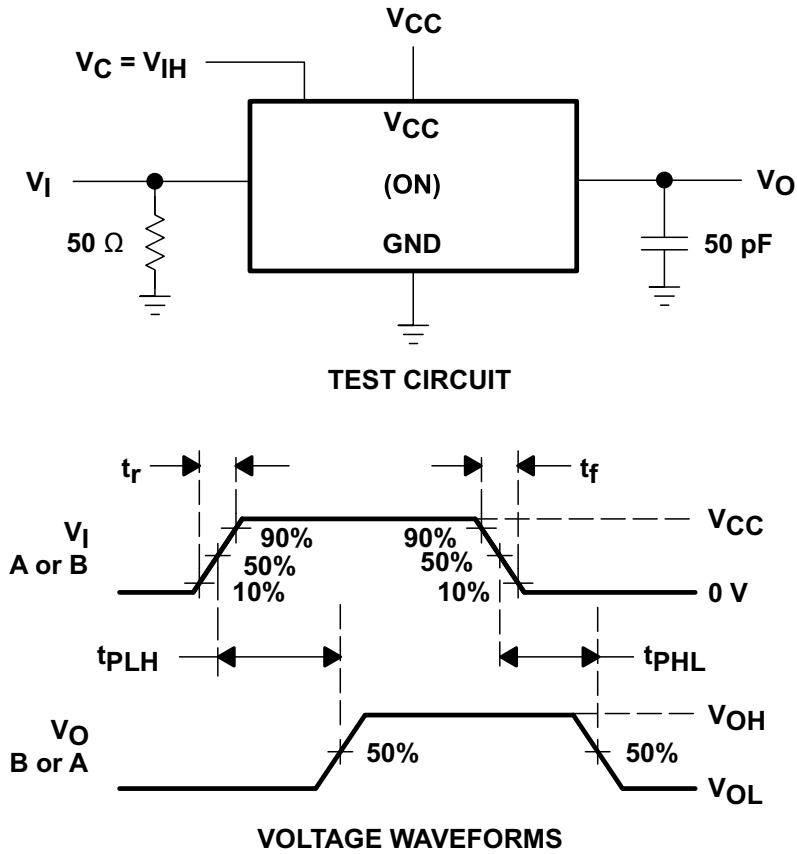
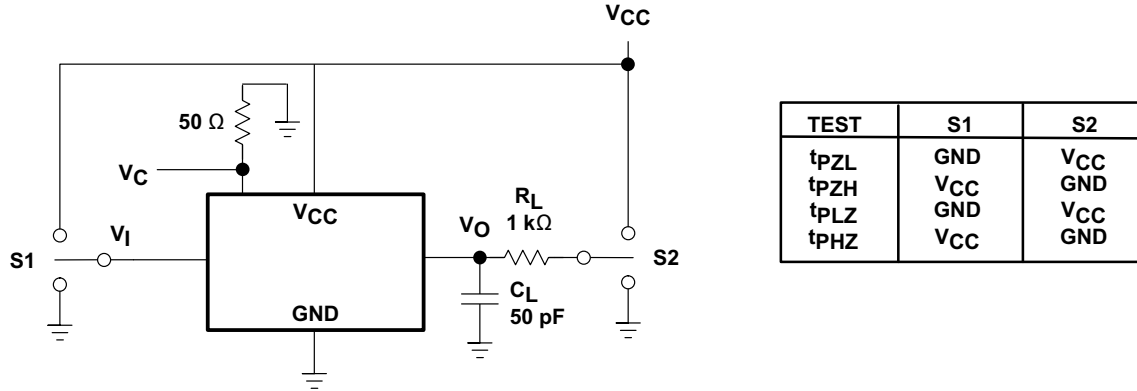
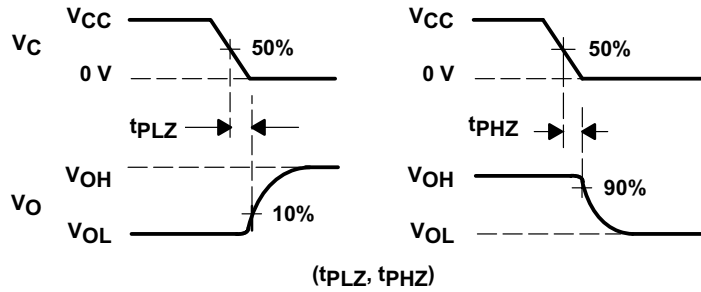
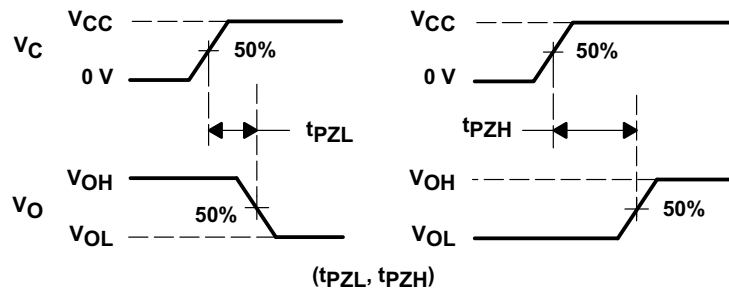


图 6-4. Propagation Delay Time, Signal Input to Signal Output



TEST CIRCUIT



VOLTAGE WAVEFORMS

图 6-5. Switching Time (tPZL, tPLZ, tPZH, tPHZ), Control to Signal Output

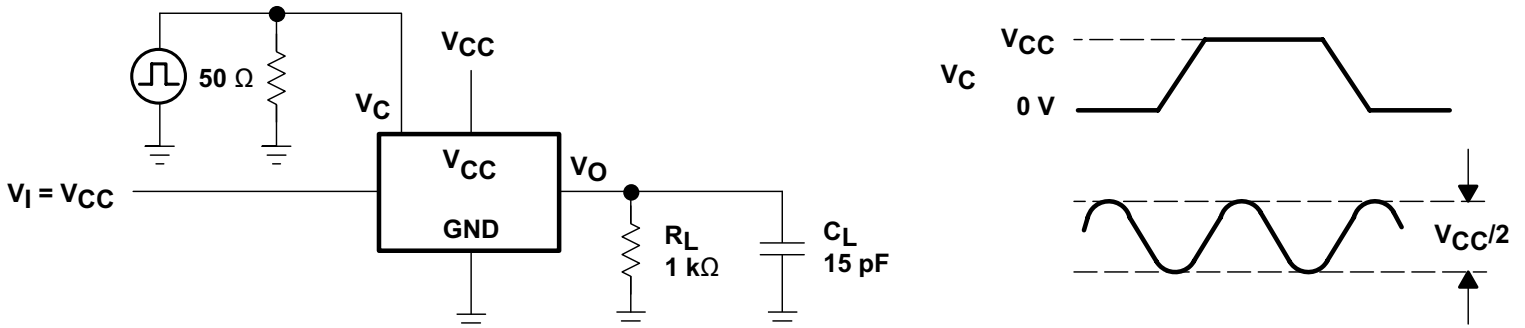


图 6-6. Control-Input Frequency

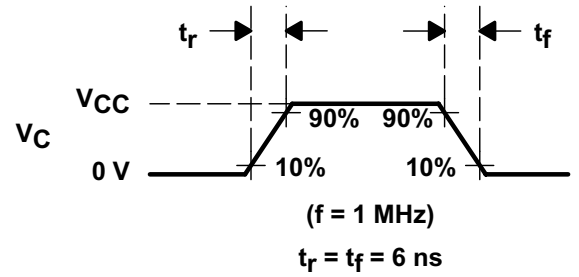
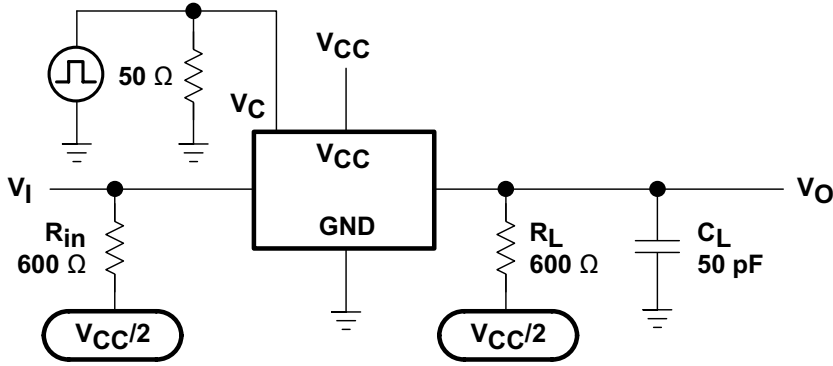


图 6-7. Control Feed-Through Noise

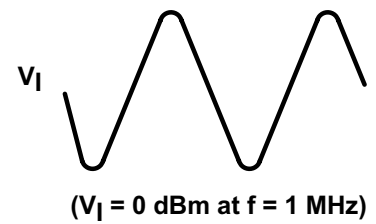
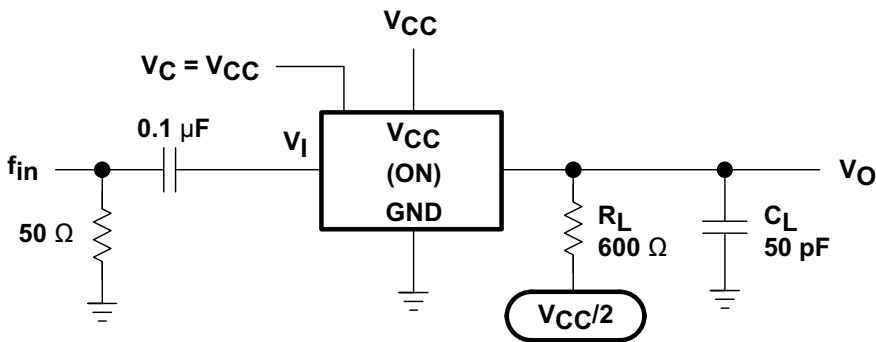


图 6-8. Minimum Through Bandwidth

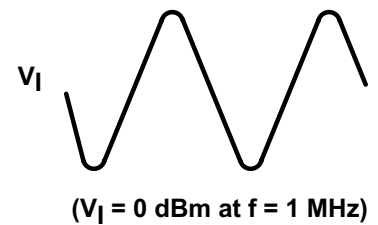
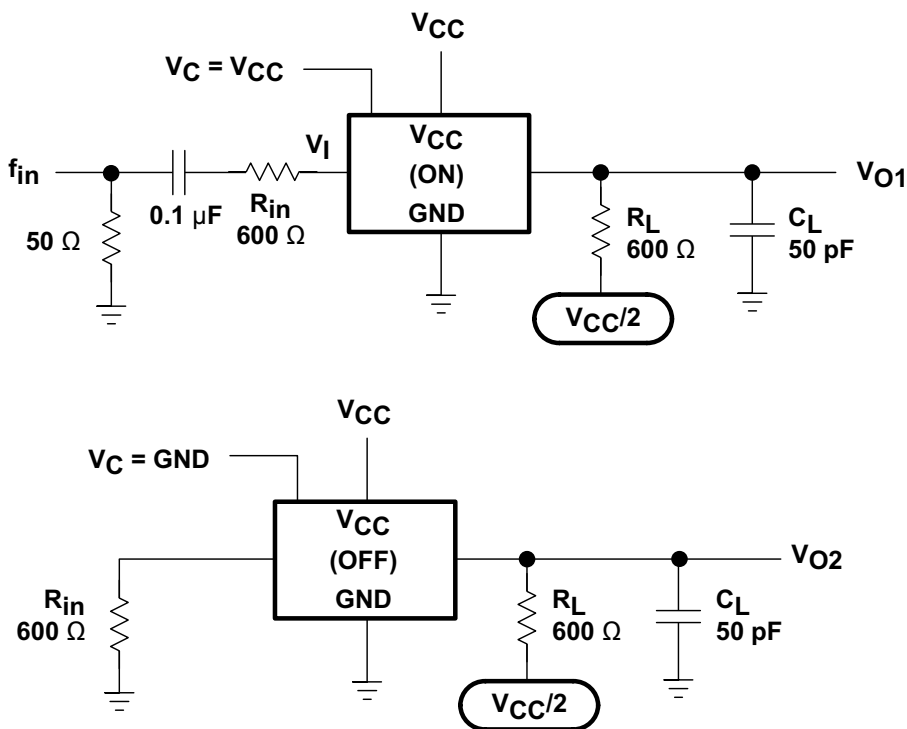


图 6-9. Crosstalk Between Any Two Switches

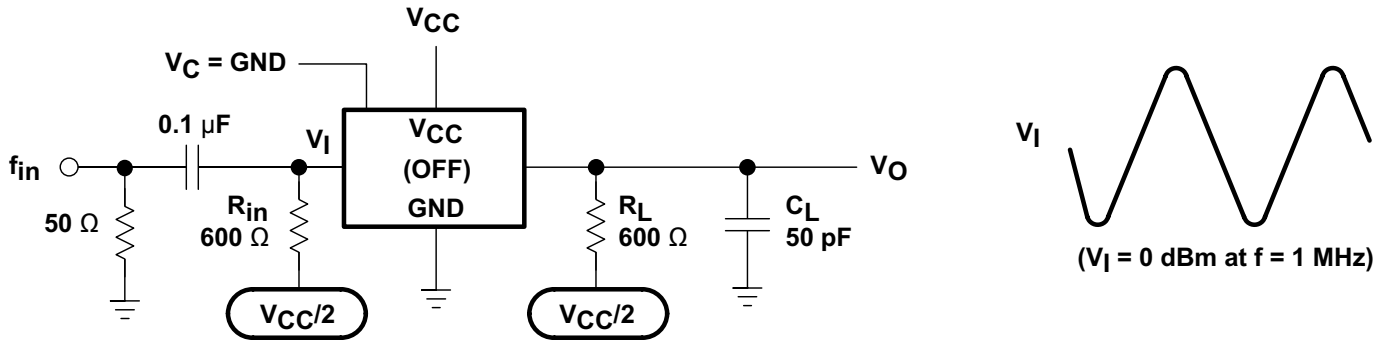


图 6-10. Feed Through, Switch OFF

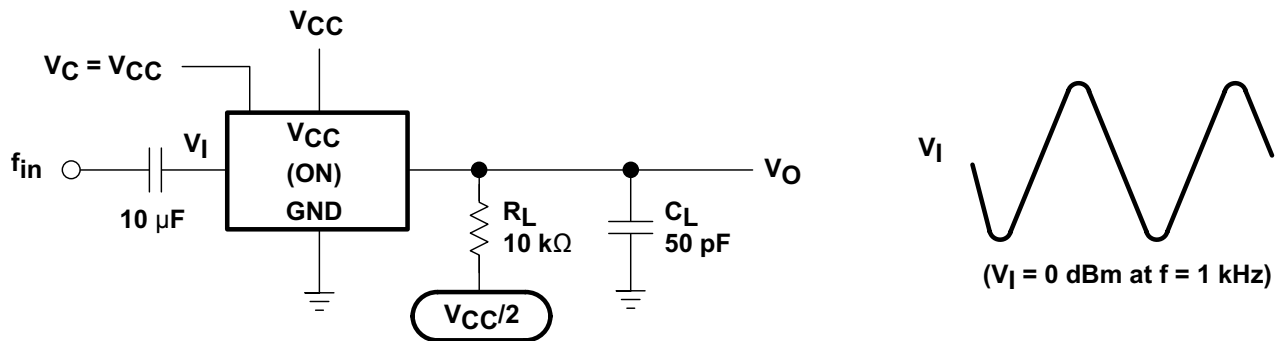


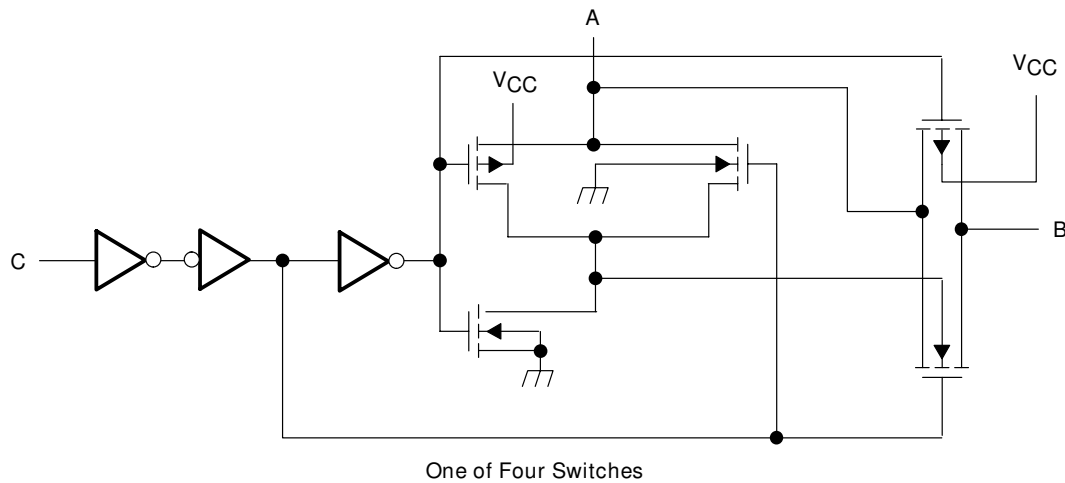
图 6-11. Amplitude-Distortion Rate

7 Detailed Description

7.1 Overview

The SN74HC4066 device is a silicon-gate CMOS quadruple analog switch designed for 2-V to 6-V VCC operation. It is designed to handle both analog and digital signals. Each switch permits signals with amplitudes of up to 6V (peak) to be transmitted in either direction. A high-level voltage applied to the control pin C enables the respective switch to begin propagating signals across the device.

7.2 Functional Block Diagram



Copyright © 2016, Texas Instruments Incorporated

图 7-1. Logic Diagram, Each Switch (Positive Logic)

7.3 Feature Description

Each switch section has its own enable-input control (C). A high-level voltage applied to C turns on the associated switch section, with typically 18ns of switch enable time. The SN74HC4066 has a wide operating voltage range of 2V to 6V. It has low power consumption, with 20 μ A maximum I_{CC} and a low on-state impedance of 50 Ω . It also has low crosstalk between switches to minimize noise.

7.4 Device Functional Modes

表 7-1 lists the functions for the SN74HC4066 device.

表 7-1. Function Table
(Each Switch)

INPUT CONTROL (C)	SWITCH
L	OFF
H	ON

8 Application and Implementation

备注

以下应用部分中的信息不属于 TI 器件规格的范围，TI 不担保其准确性和完整性。TI 的客户应负责确定器件是否适用于其应用。客户应验证并测试其设计，以确保系统功能。

8.1 Application Information

The SN74HC4066 can be used in any situation where a dual SPST switch is used and a solid-state voltage controlled version is preferred.

8.2 Typical Application

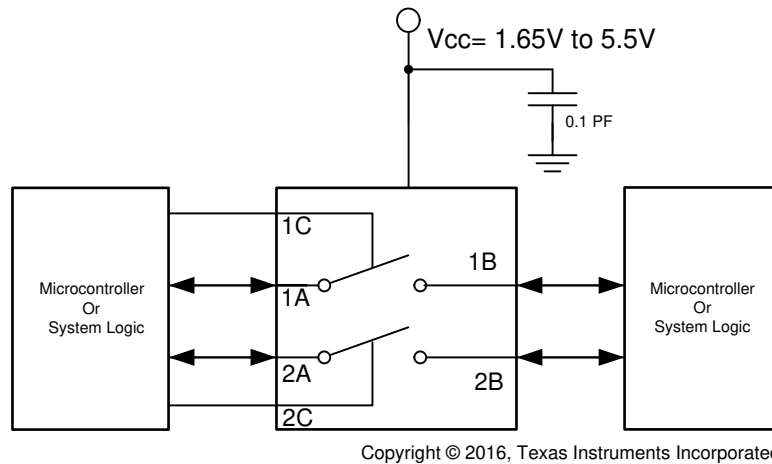


图 8-1. t_{PZH} vs V_{CC}

8.2.1 Design Requirements

The SN74HC4066 allows ON/OFF control of analog and digital signals with a digital control signal. All input signals should remain between 0V and V_{CC} for optimal operation.

8.2.2 Detailed Design Procedure

1. Recommended Input Conditions:
 - For rise time and fall time specifications, see $\Delta t / \Delta v$ in [节 5.3](#).
 - For specified high and low levels, see V_{IH} and V_{IL} in [节 5.3](#).
2. Recommended Output Conditions:
 - On-state switch current should not exceed $\pm 25\text{mA}$.

8.2.3 Application Curve

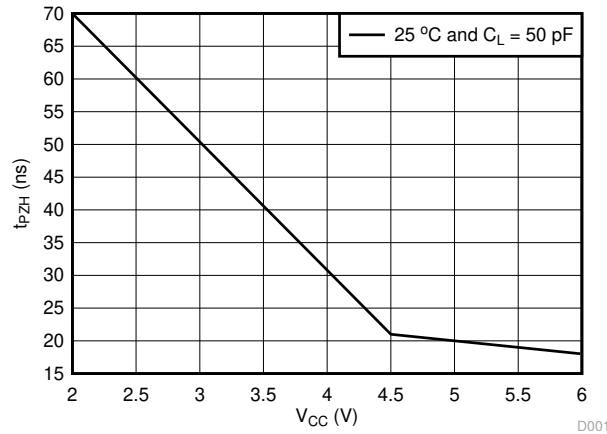


图 8-2. t_{pZH} vs V_{CC}

8.3 Power Supply Recommendations

The power supply can be any voltage between the minimum and maximum supply voltage rating located in the [节 5.3](#).

Each V_{CC} terminal should have a good bypass capacitor to prevent power disturbance. For devices with a single supply, TI recommends a $0.1\mu\text{F}$ bypass capacitor. If there are multiple pins labeled V_{CC} , then a $0.01\mu\text{F}$ or $0.022\mu\text{F}$ capacitor is recommended for each V_{CC} because the VCC pins will be tied together internally. For devices with dual-supply pins operating at different voltages, for example V_{CC} and V_{DD} , TI recommends a $0.1\mu\text{F}$ bypass capacitor for each supply pin. It is acceptable to parallel multiple bypass capacitors to reject different frequencies of noise. $0.1\mu\text{F}$ and $1\mu\text{F}$ capacitors are commonly used in parallel. The bypass capacitor should be installed as close to the power terminal as possible for best results.

8.4 Layout

8.4.1 Layout Guidelines

Reflections and matching are closely related to loop antenna theory, but different enough to warrant their own discussion. When a PCB trace turns a corner at a 90° angle, a reflection can occur. This is primarily due to the change of width of the trace. At the apex of the turn, the trace width is increased to 1.414 times its width. This upsets the transmission line characteristics, especially the distributed capacitance and self-inductance of the trace — resulting in the reflection.

备注

Not all PCB traces can be straight, and so they will have to turn corners. [图 8-3](#) shows progressively better techniques of rounding corners. Only the last example maintains constant trace width and minimizes reflections.

8.4.2 Layout Example

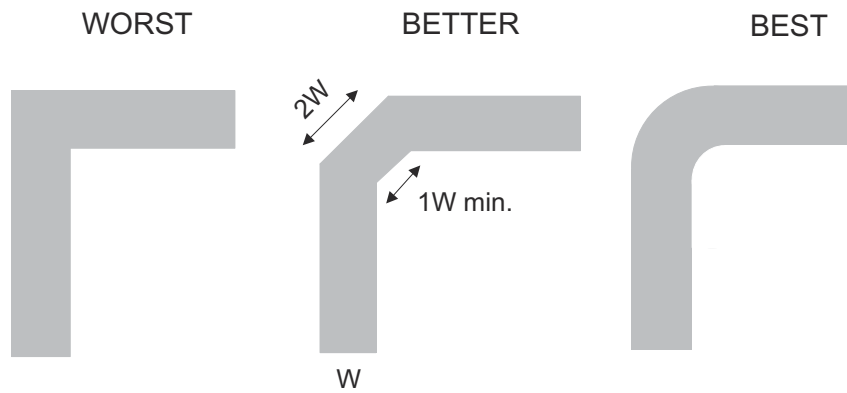


图 8-3. Trace Example

9 Device and Documentation Support

9.1 Documentation Support

9.1.1 Related Documentation

For related documentation, see the following:

- Texas Instruments, [Implications of Slow or Floating CMOS Inputs application notes](#)

9.2 接收文档更新通知

要接收文档更新通知，请导航至 ti.com 上的器件产品文件夹。点击 [通知](#) 进行注册，即可每周接收产品信息更改摘要。有关更改的详细信息，请查看任何已修订文档中包含的修订历史记录。

9.3 支持资源

[TI E2E™ 中文支持论坛](#) 是工程师的重要参考资料，可直接从专家处获得快速、经过验证的解答和设计帮助。搜索现有解答或提出自己的问题，获得所需的快速设计帮助。

链接的内容由各个贡献者“按原样”提供。这些内容并不构成 TI 技术规范，并且不一定反映 TI 的观点；请参阅 TI 的 [使用条款](#)。

9.4 Trademarks

TI E2E™ is a trademark of Texas Instruments.

所有商标均为其各自所有者的财产。

9.5 静电放电警告



静电放电 (ESD) 会损坏这个集成电路。德州仪器 (TI) 建议通过适当的预防措施处理所有集成电路。如果不遵守正确的处理和安装程序，可能会损坏集成电路。

ESD 的损坏小至导致微小的性能降级，大至整个器件故障。精密的集成电路可能更容易受到损坏，这是因为非常细微的参数更改都可能会导致器件与其发布的规格不相符。

9.6 术语表

[TI 术语表](#) 本术语表列出并解释了术语、首字母缩略词和定义。

10 Revision History

注：以前版本的页码可能与当前版本的页码不同

Changes from Revision J (November 2021) to Revision K (February 2024) Page

• 更新了 封装信息 表以包含封装引线尺寸.....	1
• 将数据表更新为仅包含 <i>D</i> (SOIC、14) 或 <i>PW</i> (TSSOP、14) 封装.....	1
• Updated <i>Thermal Information</i> section.....	5
• Updated V _{CC} operation from: 2V - 6V to: 1V - 6V.....	5

Changes from Revision I (January 2019) to Revision J (November 2021) Page

• Changed the MAX values for I _{soff} , I _{son} , and I _{CC} in the <i>Electrical Characteristics</i> table.....	5
---	---

Changes from Revision H (August 2016) to Revision I (January 2019) Page

• 更新了整个文档中的表格、图和交叉参考的编号格式.....	1
• Changed the Description of pins 8 through 12 in the <i>Pin Functions</i> table.....	3

Changes from Revision G (July 2003) to Revision H (August 2016) **Page**

- 添加了 ESD 等级表、特性说明部分、器件功能模式、应用和实现部分、电源相关建议部分、布局部分、器件和文档支持部分以及机械、封装和可订购信息部分.....1
 - 删除了订购信息表，请参阅数据表末尾的 POA.....1
-

11 Mechanical, Packaging, and Orderable Information

The following pages include mechanical, packaging, and orderable information. This information is the most current data available for the designated devices. This data is subject to change without notice and revision of this document. For browser-based versions of this data sheet, refer to the left-hand navigation.

PACKAGING INFORMATION

Orderable Device	Status (1)	Package Type	Package Drawing	Pins	Package Qty	Eco Plan (2)	Lead finish/ Ball material (6)	MSL Peak Temp (3)	Op Temp (°C)	Device Marking (4/5)	Samples
SN74HC4066D	LIFEBUY	SOIC	D	14	50	RoHS & Green	NIPDAU	Level-1-260C-UNLIM	-40 to 85	HC4066	
SN74HC4066DBR	NRND	SSOP	DB	14	2000	RoHS & Green	NIPDAU	Level-1-260C-UNLIM	-40 to 85	HC4066	
SN74HC4066DR	ACTIVE	SOIC	D	14	2500	RoHS & Green	NIPDAU	Level-1-260C-UNLIM	-40 to 85	HC4066	Samples
SN74HC4066DT	LIFEBUY	SOIC	D	14	250	RoHS & Green	NIPDAU	Level-1-260C-UNLIM	-40 to 85	HC4066	
SN74HC4066N	NRND	PDIP	N	14	25	RoHS & Green	NIPDAU	N / A for Pkg Type	-40 to 85	SN74HC4066N	
SN74HC4066NSR	NRND	SO	NS	14	2000	RoHS & Green	NIPDAU	Level-1-260C-UNLIM	-40 to 85	HC4066	
SN74HC4066PW	LIFEBUY	TSSOP	PW	14	90	RoHS & Green	NIPDAU	Level-1-260C-UNLIM	-40 to 85	HC4066	
SN74HC4066PWR	ACTIVE	TSSOP	PW	14	2000	RoHS & Green	NIPDAU	Level-1-260C-UNLIM	-40 to 85	HC4066	Samples
SN74HC4066PWT	LIFEBUY	TSSOP	PW	14	250	RoHS & Green	NIPDAU	Level-1-260C-UNLIM	-40 to 85	HC4066	

(1) The marketing status values are defined as follows:

ACTIVE: Product device recommended for new designs.

LIFEBUY: TI has announced that the device will be discontinued, and a lifetime-buy period is in effect.

NRND: Not recommended for new designs. Device is in production to support existing customers, but TI does not recommend using this part in a new design.

PREVIEW: Device has been announced but is not in production. Samples may or may not be available.

OBSOLETE: TI has discontinued the production of the device.

(2) **RoHS:** TI defines "RoHS" to mean semiconductor products that are compliant with the current EU RoHS requirements for all 10 RoHS substances, including the requirement that RoHS substance do not exceed 0.1% by weight in homogeneous materials. Where designed to be soldered at high temperatures, "RoHS" products are suitable for use in specified lead-free processes. TI may reference these types of products as "Pb-Free".

RoHS Exempt: TI defines "RoHS Exempt" to mean products that contain lead but are compliant with EU RoHS pursuant to a specific EU RoHS exemption.

Green: TI defines "Green" to mean the content of Chlorine (Cl) and Bromine (Br) based flame retardants meet JS709B low halogen requirements of <=1000ppm threshold. Antimony trioxide based flame retardants must also meet the <=1000ppm threshold requirement.

(3) MSL, Peak Temp. - The Moisture Sensitivity Level rating according to the JEDEC industry standard classifications, and peak solder temperature.

(4) There may be additional marking, which relates to the logo, the lot trace code information, or the environmental category on the device.

(5) Multiple Device Markings will be inside parentheses. Only one Device Marking contained in parentheses and separated by a "~" will appear on a device. If a line is indented then it is a continuation of the previous line and the two combined represent the entire Device Marking for that device.

⁽⁶⁾ Lead finish/Ball material - Orderable Devices may have multiple material finish options. Finish options are separated by a vertical ruled line. Lead finish/Ball material values may wrap to two lines if the finish value exceeds the maximum column width.

Important Information and Disclaimer:The information provided on this page represents TI's knowledge and belief as of the date that it is provided. TI bases its knowledge and belief on information provided by third parties, and makes no representation or warranty as to the accuracy of such information. Efforts are underway to better integrate information from third parties. TI has taken and continues to take reasonable steps to provide representative and accurate information but may not have conducted destructive testing or chemical analysis on incoming materials and chemicals. TI and TI suppliers consider certain information to be proprietary, and thus CAS numbers and other limited information may not be available for release.

In no event shall TI's liability arising out of such information exceed the total purchase price of the TI part(s) at issue in this document sold by TI to Customer on an annual basis.

TAPE AND REEL INFORMATION

QUADRANT ASSIGNMENTS FOR PIN 1 ORIENTATION IN TAPE


*All dimensions are nominal

Device	Package Type	Package Drawing	Pins	SPQ	Reel Diameter (mm)	Reel Width W1 (mm)	A0 (mm)	B0 (mm)	K0 (mm)	P1 (mm)	W (mm)	Pin1 Quadrant
SN74HC4066DBR	SSOP	DB	14	2000	330.0	16.4	8.35	6.6	2.4	12.0	16.0	Q1
SN74HC4066DR	SOIC	D	14	2500	330.0	16.4	6.5	9.0	2.1	8.0	16.0	Q1
SN74HC4066DT	SOIC	D	14	250	330.0	16.4	6.5	9.0	2.1	8.0	16.0	Q1
SN74HC4066NSR	SO	NS	14	2000	330.0	16.4	8.2	10.5	2.5	12.0	16.0	Q1
SN74HC4066PWR	TSSOP	PW	14	2000	330.0	12.4	6.9	5.6	1.6	8.0	12.0	Q1
SN74HC4066PWT	TSSOP	PW	14	250	330.0	12.4	6.9	5.6	1.6	8.0	12.0	Q1

TAPE AND REEL BOX DIMENSIONS


*All dimensions are nominal

Device	Package Type	Package Drawing	Pins	SPQ	Length (mm)	Width (mm)	Height (mm)
SN74HC4066DBR	SSOP	DB	14	2000	356.0	356.0	35.0
SN74HC4066DR	SOIC	D	14	2500	356.0	356.0	35.0
SN74HC4066DT	SOIC	D	14	250	210.0	185.0	35.0
SN74HC4066NSR	SO	NS	14	2000	356.0	356.0	35.0
SN74HC4066PWR	TSSOP	PW	14	2000	356.0	356.0	35.0
SN74HC4066PWT	TSSOP	PW	14	250	356.0	356.0	35.0

TUBE


*All dimensions are nominal

Device	Package Name	Package Type	Pins	SPQ	L (mm)	W (mm)	T (μm)	B (mm)
SN74HC4066D	D	SOIC	14	50	506.6	8	3940	4.32
SN74HC4066N	N	PDIP	14	25	506	13.97	11230	4.32
SN74HC4066N	N	PDIP	14	25	506	13.97	11230	4.32
SN74HC4066PW	PW	TSSOP	14	90	530	10.2	3600	3.5

MECHANICAL DATA

NS (R-PDSO-G**)

PLASTIC SMALL-OUTLINE PACKAGE

14-PINS SHOWN



- NOTES:
- A. All linear dimensions are in millimeters.
 - B. This drawing is subject to change without notice.
 - C. Body dimensions do not include mold flash or protrusion, not to exceed 0,15.

D (R-PDSO-G14)

PLASTIC SMALL OUTLINE



- NOTES:
- A. All linear dimensions are in inches (millimeters).
 - B. This drawing is subject to change without notice.
 - $\triangle C$ Body length does not include mold flash, protrusions, or gate burrs. Mold flash, protrusions, or gate burrs shall not exceed 0.006 (0,15) each side.
 - $\triangle D$ Body width does not include interlead flash. Interlead flash shall not exceed 0.017 (0,43) each side.
 - E. Reference JEDEC MS-012 variation AB.

D (R-PDSO-G14)

PLASTIC SMALL OUTLINE



4211283-3/E 08/12

- NOTES:
- All linear dimensions are in millimeters.
 - This drawing is subject to change without notice.
 - Publication IPC-7351 is recommended for alternate designs.
 - Laser cutting apertures with trapezoidal walls and also rounding corners will offer better paste release. Customers should contact their board assembly site for stencil design recommendations. Refer to IPC-7525 for other stencil recommendations.
 - Customers should contact their board fabrication site for solder mask tolerances between and around signal pads.

PW (R-PDSO-G14)

PLASTIC SMALL OUTLINE



4040064-3/G 02/11

- NOTES:
- A. All linear dimensions are in millimeters. Dimensioning and tolerancing per ASME Y14.5M-1994.
 - B. This drawing is subject to change without notice.
 - C. Body length does not include mold flash, protrusions, or gate burrs. Mold flash, protrusions, or gate burrs shall not exceed 0,15 each side.
 - D. Body width does not include interlead flash. Interlead flash shall not exceed 0,25 each side.
 - E. Falls within JEDEC MO-153

PW (R-PDSO-G14)

PLASTIC SMALL OUTLINE



- NOTES:
- All linear dimensions are in millimeters.
 - This drawing is subject to change without notice.
 - Publication IPC-7351 is recommended for alternate designs.
 - Laser cutting apertures with trapezoidal walls and also rounding corners will offer better paste release. Customers should contact their board assembly site for stencil design recommendations. Refer to IPC-7525 for other stencil recommendations.
 - Customers should contact their board fabrication site for solder mask tolerances between and around signal pads.

N (R-PDIP-T**)

PLASTIC DUAL-IN-LINE PACKAGE

16 PINS SHOWN



- NOTES:
- A. All linear dimensions are in inches (millimeters).
 - B. This drawing is subject to change without notice.
 - $\triangle C$ Falls within JEDEC MS-001, except 18 and 20 pin minimum body length (Dim A).
 - $\triangle D$ The 20 pin end lead shoulder width is a vendor option, either half or full width.

4040049/E 12/2002

DB (R-PDSO-G**)

PLASTIC SMALL-OUTLINE

28 PINS SHOWN



- NOTES: A. All linear dimensions are in millimeters.
 B. This drawing is subject to change without notice.
 C. Body dimensions do not include mold flash or protrusion not to exceed 0,15.
 D. Falls within JEDEC MO-150

重要声明和免责声明

TI“按原样”提供技术和可靠性数据（包括数据表）、设计资源（包括参考设计）、应用或其他设计建议、网络工具、安全信息和其他资源，不保证没有瑕疵且不做任何明示或暗示的担保，包括但不限于对适销性、某特定用途方面的适用性或不侵犯任何第三方知识产权的暗示担保。

这些资源可供使用 TI 产品进行设计的熟练开发人员使用。您将自行承担以下全部责任：(1) 针对您的应用选择合适的 TI 产品，(2) 设计、验证并测试您的应用，(3) 确保您的应用满足相应标准以及任何其他功能安全、信息安全、监管或其他要求。

这些资源如有变更，恕不另行通知。TI 授权您仅可将这些资源用于研发本资源所述的 TI 产品的应用。严禁对这些资源进行其他复制或展示。您无权使用任何其他 TI 知识产权或任何第三方知识产权。您应全额赔偿因在这些资源的使用中对 TI 及其代表造成的任何索赔、损害、成本、损失和债务，TI 对此概不负责。

TI 提供的产品受 [TI 的销售条款](#) 或 [ti.com](#) 上其他适用条款/TI 产品随附的其他适用条款的约束。TI 提供这些资源并不会扩展或以其他方式更改 TI 针对 TI 产品发布的适用的担保或担保免责声明。

TI 反对并拒绝您可能提出的任何其他或不同的条款。

邮寄地址：Texas Instruments, Post Office Box 655303, Dallas, Texas 75265

Copyright © 2024，德州仪器 (TI) 公司