

CD405xB 具有逻辑电平转换功能的 CMOS 单路 8 通道 模拟多路复用器或多路信号分离器

1 特性

- 各种数字和模拟信号电平：
 - 数字：3 V 至 20 V
 - 模拟： $\leq 20V_{P-P}$
- 在 $V_{DD} - V_{EE} = 18V$ 时的 $15V_{P-P}$ 信号输入范围内，具有 125Ω (典型值) 的低导通电阻
- 在 $V_{DD} - V_{EE} = 18V$ 时，通道漏电流为 $\pm 100pA$ (典型值)，具有高关断电阻
- 适用于 3V 至 20V 数字寻址信号 ($V_{DD} - V_{SS} = 3V$ 至 $20V$) 的逻辑电平转换功能，可将模拟信号切换至与 $20V_{P-P}$ ($V_{DD} - V_{EE} = 20V$) 相匹配的开关特性， $V_{DD} - V_{EE} = 15V$ 时， $r_{ON} = 5\Omega$ (典型值)，在所有数字控制输入和电源条件下，具有极低的静态功率损耗，在 $V_{DD} - V_{SS} = V_{DD} - V_{EE} = 10V$ 时，功率损耗为 $0.2\mu W$ (典型值)
- 二进制地址片上解码
- 5V、10V 和 15V 参数额定值
- 针对 20V 下的静态电流进行了 100% 测试
- 在全封装温度范围内，18V 时的最大输入电流为 $1\mu A$ ，18V 和 $25^\circ C$ 时为 $100nA$
- 先断后合开关消除了通道重叠

2 应用

- 模拟和数字多路复用和多路信号分离
- 模数和数模转换
- 信号门控
- 工厂自动化
- 电视
- 电器
- 消费类音频
- 可编程逻辑电路
- 传感器

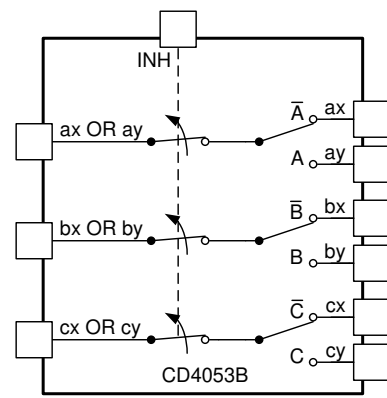
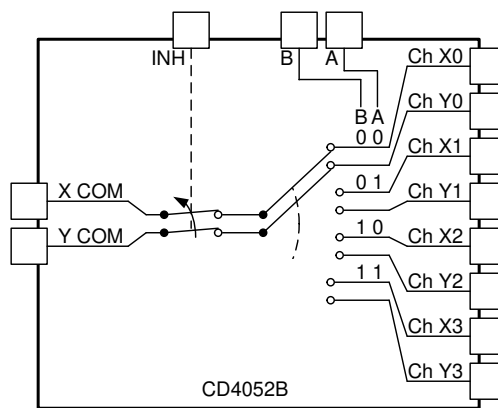
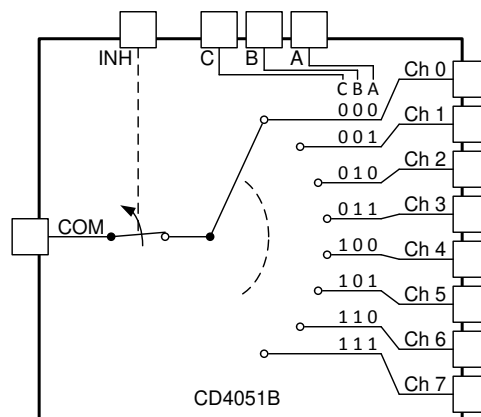
3 说明

CD405xB 模拟多路复用器和多路信号分离器是数字控制的模拟开关，具有低接通阻抗和极低的关断漏电流。这些多路复用器电路在整个 $V_{DD} - V_{SS}$ 和 $V_{DD} - V_{EE}$ 电源电压范围内，消耗的静态功率极低，而不受控制信号的逻辑状态影响。

封装信息

| 器件型号 | 封装 ⁽¹⁾ | 封装尺寸 ⁽²⁾ |
|---------|-------------------|---------------------|
| CD405xB | J (CDIP, 16) | 19.50mm × 6.92mm |
| | N (PDIP, 16) | 19.3mm × 9.4mm |
| | D (SOIC, 16) | 9.9mm × 6mm |
| | NS (SOP, 16) | 10.2mm × 7.8mm |
| | PW (TSSOP, 16) | 5mm × 6.4mm |

- 如需了解所有可用封装，请参阅数据表末尾的可订购产品附录。
- 封装尺寸 (长 × 宽) 为标称值，并包括引脚 (如适用)。



CD405xB 的功能图



Table of Contents

| | | | |
|---|-----------|---|-----------|
| 1 特性..... | 1 | 8.3 Feature Description..... | 17 |
| 2 应用..... | 1 | 8.4 Device Functional Modes..... | 18 |
| 3 说明..... | 1 | 9 Application and Implementation..... | 19 |
| 4 Revision History..... | 2 | 9.1 Application Information..... | 19 |
| 5 Pin Configuration and Functions..... | 3 | 9.2 Typical Application..... | 19 |
| 6 Specifications..... | 5 | 9.3 Power Supply Recommendations..... | 20 |
| 6.1 Absolute Maximum Ratings..... | 5 | 9.4 Layout..... | 20 |
| 6.2 ESD Ratings..... | 5 | 10 Device and Documentation Support..... | 22 |
| 6.3 Recommended Operating Conditions..... | 5 | 10.1 Documentation Support..... | 22 |
| 6.4 Thermal Information..... | 5 | 10.2 接收文档更新通知..... | 22 |
| 6.5 Electrical Characteristics..... | 6 | 10.3 支持资源..... | 22 |
| 6.6 AC Performance Characteristics..... | 9 | 10.4 Trademarks..... | 22 |
| 6.7 Typical Characteristics..... | 11 | 10.5 静电放电警告..... | 22 |
| 7 Parameter Measurement Information..... | 11 | 10.6 术语表..... | 22 |
| 8 Detailed Description..... | 15 | 11 Mechanical, Packaging, and Orderable Information..... | 22 |
| 8.1 Overview..... | 15 | | |
| 8.2 Functional Block Diagrams..... | 16 | | |

4 Revision History

注：以前版本的页码可能与当前版本的页码不同

| Changes from Revision K (March 2023) to Revision L (September 2023) | Page |
|---|------|
| • 更改了封装信息表的格式以包含封装引线尺寸..... | 1 |
| • Changed the format of the <i>ESD Ratings</i> , <i>Electrical Characteristics</i> , and <i>AC Performance</i> to consolidate package specifications..... | 5 |
| Changes from Revision J (February 2023) to Revision K (March 2023) | Page |
| • 在整个数据表中添加了 PW 封装信息..... | 1 |
| Changes from Revision I (September 2017) to Revision J (February 2023) | Page |
| • 更新了整个文档中的表格、图和交叉参考的编号格式..... | 1 |
| • Updated the <i>Quiescent Device Current</i> , <i>IDD Max</i> typical and maximum values..... | 5 |
| • Updated the <i>OFF Channel Leakage Current: Any Channel OFF (Max) or ALL Channels OFF (Common OUT/IN) (Max)</i> typical values..... | 5 |
| • Updated the <i>ON Channel Leakage Current: Any Channel ON (Max) or ALL Channels ON (Common OUT/IN) (Max)</i> maximum values..... | 5 |
| • Updated the <i>Input Low Voltage</i> , <i>VIL</i> , <i>Max</i> values..... | 5 |
| • Updated the <i>Input Current</i> , <i>IIN (Max)</i> typical values..... | 5 |
| • Updated the <i>Inhibit-to-Signal OUT (Channel Turning OFF)</i> typical values..... | 5 |
| • Updated the values in the <i>ESD Ratings</i> section..... | 5 |
| • Updated the <i>Typical Characteristics</i> section..... | 11 |
| Changes from Revision H (April 2015) to Revision I (September 2017) | Page |
| • Added the <i>On Channel Leakage Current - Any Channel On</i> figure..... | 11 |
| Changes from Revision G (October 2003) to Revision H (April 2015) | Page |
| • 新增了引脚配置和功能部分、ESD 等级表、特性说明部分、器件功能模式、应用和实施部分、电源相关建议部分、布局部分、器件和文档支持部分以及机械、封装和可订购信息部分..... | 1 |
| • 添加了器件信息表..... | 1 |

5 Pin Configuration and Functions



图 5-1. CD4051B E, M, NS, and PW Package, 16-Pin PDIP, CDIP, SOIC, SOP, and TSSOP (Top View)

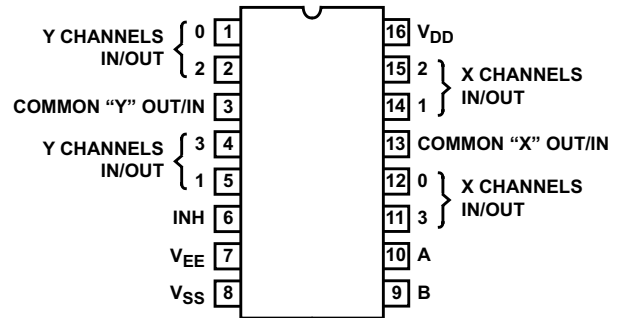


图 5-2. CD4052B E, M, NS, and PW Package, 16-Pin PDIP, CDIP, SOP, and TSSOP (Top View)

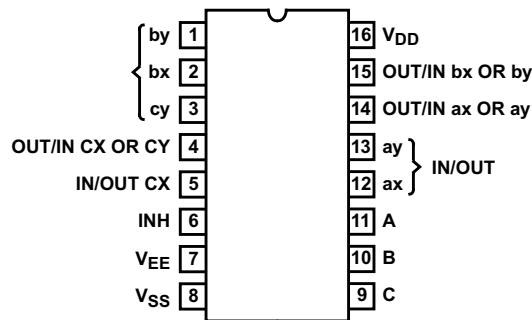


图 5-3. CD4053B E, M, NS, and PW Package, 16-Pin PDIP, CDIP, SOP, and TSSOP (Top View)

表 5-1. Pin Functions CD4051B

| PIN | | TYPE ⁽¹⁾ | DESCRIPTION |
|-----|-----------------|---------------------|-----------------------------------|
| NO. | NAME | | |
| 1 | CH 4 IN/OUT | I/O | Channel 4 in/out |
| 2 | CH 6 IN/OUT | I/O | Channel 6 in/out |
| 3 | COM OUT/IN | I/O | Common out/in |
| 4 | CH 7 IN/OUT | I/O | Channel 7 in/out |
| 5 | CH 5 IN/OUT | I/O | Channel 5 in/out |
| 6 | INH | I | Disables all channels. See 表 8-1. |
| 7 | V _{EE} | — | Negative power input |
| 8 | V _{SS} | — | Ground |
| 9 | C | I | Channel select C. See 表 8-1. |
| 10 | B | I | Channel select B. See 表 8-1. |
| 11 | A | I | Channel select A. See 表 8-1. |
| 12 | CH 3 IN/OUT | I/O | Channel 3 in/out |
| 13 | CH 0 IN/OUT | I/O | Channel 0 in/out |
| 14 | CH 1 IN/OUT | I/O | Channel 1 in/out |
| 15 | CH 2 IN/OUT | I/O | Channel 2 in/out |
| 16 | V _{DD} | — | Positive power input |

(1) I = input, O = output

表 5-2. Pin Functions CD4052B

| PIN | | TYPE ⁽¹⁾ | DESCRIPTION |
|-----|-----------------|---------------------|-----------------------------------|
| NO. | NAME | | |
| 1 | Y CH 0 IN/OUT | I/O | Channel Y0 in/out |
| 2 | Y CH 2 IN/OUT | I/O | Channel Y2 in/out |
| 3 | Y COM OUT/IN | I/O | Y common out/in |
| 4 | Y CH 3 IN/OUT | I/O | Channel Y3 in/out |
| 5 | Y CH 1 IN/OUT | I/O | Channel Y1 in/out |
| 6 | INH | I | Disables all channels. See 表 8-1. |
| 7 | V _{EE} | — | Negative power input |
| 8 | V _{SS} | — | Ground |
| 9 | B | I | Channel select B. See 表 8-1. |
| 10 | A | I | Channel select A. See 表 8-1. |
| 11 | X CH 3 IN/OUT | I/O | Channel X3 in/out |
| 12 | X CH 0 IN/OUT | I/O | Channel X0 in/out |
| 13 | X COM IN/OUT | I/O | X common out/in |
| 14 | X CH 1 IN/OUT | I/O | Channel in/out |
| 15 | X CH 2 IN/OUT | I/O | Channel in/out |
| 16 | V _{DD} | — | Positive power input |

(1) I = input, O = output

表 5-3. Pin Functions CD4053B

| PIN | | TYPE ⁽¹⁾ | DESCRIPTION |
|-----|--------------------|---------------------|-----------------------------------|
| NO. | NAME | | |
| 1 | BY IN/OUT | I/O | B channel Y in/out |
| 2 | BX IN/OUT | I/O | B channel X in/out |
| 3 | CY IN/OUT | I/O | C channel Y in/out |
| 4 | CX OR CY OUT/IN | I/O | C common out/in |
| 5 | CX IN/OUT | I/O | C channel X in/out |
| 6 | INH | I | Disables all channels. See 表 8-1. |
| 7 | V _{EE} | — | Negative power input |
| 8 | V _{SS} | — | Ground |
| 9 | C | I | Channel select C. See 表 8-1. |
| 10 | B | I | Channel select B. See 表 8-1. |
| 11 | A | I | Channel select A. See 表 8-1. |
| 12 | AX IN/OUT | I/O | A channel X in/out |
| 13 | AY IN/OUT | I/O | A channel Y in/out |
| 14 | AX OR AY OUT/IN | I/O | A common out/in |
| 15 | BX OR BY OUT/IN | I/O | B common out/in |
| 16 | V _{DD} | — | Positive power input |

(1) I = input, O = output

6 Specifications

6.1 Absolute Maximum Ratings

over operating free-air temperature range (unless otherwise noted)^{(1) (2)}

| | | MIN | MAX | UNIT |
|--------------------|---|---|----------------------|-------------|
| | Supply Voltage | V+ to V-, Voltages Referenced to V _{SS} Terminal | | V |
| | DC Input Voltage | - 0.5 | V _{DD} +0.5 | V |
| | DC Input Current | Any One Input | | mA |
| T _{JMAX1} | Maximum junction temperature, ceramic package | | | 175 °C |
| T _{JMAX2} | Maximum junction temperature, plastic package | | | 150 °C |
| T _{stg} | Storage temperature | | | - 65 150 °C |

- (1) Stresses beyond those listed under *Absolute Maximum Rating* may cause permanent damage to the device. These are stress ratings only, which do not imply functional operation of the device at these or any other conditions beyond those indicated under *Recommended Operating Condition*. Exposure to absolute-maximum-rated conditions for extended periods may affect device reliability.
- (2) All voltages are with respect to ground, unless otherwise specified.

6.2 ESD Ratings

| | | VALUE | UNIT |
|----------------------|-------------------------|--|-------|
| CD405xB all packages | | | |
| V _(ESD) | Electrostatic discharge | Human body model (HBM), per ANSI/ESDA/ JEDEC JS-001, all pins ⁽¹⁾ | ±2000 |
| | | Charged device model (CDM), per JEDEC specification JESD22-C101, all pins ⁽²⁾ | ±500 |

- (1) JEDEC document JEP155 states that 500-V HBM allows safe manufacturing with a standard ESD control process.
- (2) JEDEC document JEP157 states that 250-V CDM allows safe manufacturing with a standard ESD control process.

6.3 Recommended Operating Conditions

over operating free-air temperature range (unless otherwise noted)

| | MIN | NOM | MAX | UNIT |
|-------------------|------|-----|-----|------|
| Temperature Range | - 55 | | 125 | °C |

6.4 Thermal Information

| THERMAL METRIC ⁽¹⁾ | CD405x | | | | UNIT | |
|-------------------------------|--|----------|----------|------------|-------|------|
| | E (PDIP) | M (SOIC) | NS (SOP) | PW (TSSOP) | | |
| | 16 PINS | 16 PINS | 16 PINS | 16 PINS | | |
| R _{θJA} | Junction-to-ambient thermal resistance | 67 | 73 | 64 | 116.5 | °C/W |

- (1) For more information about traditional and new thermal metrics, see the [Semiconductor and IC Package Thermal Metrics](#) application report.

6.5 Electrical Characteristics

Over operating free-air temperature range, $V_{SUPPLY} = \pm 5\text{ V}$, and $R_L = 100\ \Omega$, (unless otherwise noted)⁽¹⁾

| PARAMETER | TEST CONDITIONS | | | | MIN | TYP | MAX | UNIT |
|--|-----------------|--------------|--------------|--------------|--------|-----|------|---------------|
| SIGNAL INPUTS (V_{IS}) AND OUTPUTS (V_{OS}) | | | | | | | | |
| | V_{IS} (V) | V_{EE} (V) | V_{SS} (V) | V_{DD} (V) | TEMP | | | |
| Quiescent Device Current, I_{DD} Max | | 0 V | 0 V | 5 V | - 55°C | | 60 | μA |
| | | | | | - 40°C | | 60 | |
| | | | | | 25°C | 17 | 60 | |
| | | | | | 85°C | | 150 | |
| | | | | | 125°C | | 150 | |
| | | 0 V | 0 V | 10 V | - 55°C | | 60 | |
| | | | | | - 40°C | | 60 | |
| | | | | | 25°C | 18 | 60 | |
| | | | | | 85°C | | 300 | |
| | | | | | 125°C | | 300 | |
| | | 0 V | 0 V | 15 V | - 55°C | | 60 | |
| | | | | | - 40°C | | 60 | |
| | | | | | 25°C | 18 | 60 | |
| | | | | | 85°C | | 600 | |
| | | | | | 125°C | | 600 | |
| | | 0 V | 0 V | 20 V | - 55°C | | 100 | |
| | | | | | - 40°C | | 100 | |
| | | | | | 25°C | 18 | 100 | |
| | | | | | 85°C | | 3000 | |
| | | | | | 125°C | | 3000 | |
| Drain to Source ON Resistance r_{ON} Max $0 \leq V_{IS} \leq V_{DD}$ | | 0 V | 0 V | 5 V | - 55°C | | 800 | Ω |
| | | | | | - 40°C | | 850 | |
| | | | | | 25°C | 470 | 1050 | |
| | | | | | 85°C | | 1200 | |
| | | | | | 125°C | | 1300 | |
| | | 0 V | 0 V | 10 V | - 55°C | | 310 | |
| | | | | | - 40°C | | 300 | |
| | | | | | 25°C | 180 | 400 | |
| | | | | | 85°C | | 520 | |
| | | | | | 125°C | | 550 | |
| | | 0 V | 0 | 15 V | - 55°C | | 200 | |
| | | | | | - 40°C | | 210 | |
| 25°C | | | | | 125 | 240 | | |
| 85°C | | | | | | 300 | | |
| 125°C | | | | | | 300 | | |
| Change in ON Resistance (Between Any Two Channels), ΔR_{ON} | | 0 V | 0 V | 5 V | 25°C | | 15 | Ω |
| | | 0 V | 0 V | 10 V | | 10 | | |
| | | 0 V | 0 V | 15 V | | 5 | | |

6.5 Electrical Characteristics (continued)

Over operating free-air temperature range, $V_{SUPPLY} = \pm 5\text{ V}$, and $R_L = 100\ \Omega$, (unless otherwise noted)⁽¹⁾

| PARAMETER | | TEST CONDITIONS | | | | MIN | TYP | MAX | UNIT |
|--|-------------------------|-----------------|----------------------------|------|--------|-------|----------------------|-----------------------|------|
| OFF Channel Leakage Current: Any Channel OFF (Max) or ALL Channels OFF (COMMON OUT/IN) (Max) | | | | | - 55°C | | | ± 100 | nA |
| | | | | | - 40°C | | | | |
| | | 0 V | 0 V | 18 V | 25°C | ± 0.3 | ± 100 ⁽²⁾ | | |
| | | | | | 85°C | | | ± 1000 ⁽²⁾ | |
| | | | | | 125°C | | | | |
| ON Channel Leakage Current: Any Channel ON (Max) or ALL Channels ON (COMMON OUT/IN) (Max) | | 5 or 0 | - 5 V | 0 V | 10.5 V | 85°C | | ± 800 | nA |
| | | 5 | 0 V | 0 V | 18 V | 85°C | | ± 800 | |
| Capacitance | Input, C_{IS} | | | | | | | 5 | pF |
| | Output, C_{OS} | CD4051 | | | | | | 30 | |
| | Output, C_{OS} | CD4052 | 0 V | 0 V | 10 V | 25°C | | 18 | |
| | Output, C_{OS} | CD4053 | | | | | | 9 | |
| | Feed through, C_{IOS} | | | | | | | 0.2 | |
| Prop Delay | | V_{DD} | $R_L = 200\text{ k}\Omega$ | 5 V | 25°C | | | 30 60 | ns |
| | | | $C_L = 50\text{ pF}$ | 10 V | | | | 15 30 | |
| | | | $t_r, t_f = 20\text{ ns}$ | 15 V | | | | 10 20 | |

6.5 Electrical Characteristics (continued)

Over operating free-air temperature range, $V_{SUPPLY} = \pm 5\text{ V}$, and $R_L = 100\ \Omega$, (unless otherwise noted)⁽¹⁾

| PARAMETER | | TEST CONDITIONS | | | MIN | TYP | MAX | UNIT |
|---|---|---|-------|------|--------|------|-----|------|
| CONTROL (ADDRESS OR INHIBIT), V_C | | | | | | | | |
| Input Low Voltage, V_{IL} , Max | | | | 5 V | - 55°C | 0.8 | | V |
| | | | | | - 40°C | 0.8 | | |
| | | | | | 25°C | 0.8 | | |
| | | | | | 85°C | 0.8 | | |
| | | | | | 125°C | 0.8 | | |
| | | | | 10 V | - 55°C | 0.8 | | |
| | | | | | - 40°C | 0.8 | | |
| | | | | | 25°C | 0.8 | | |
| | | | | | 85°C | 0.8 | | |
| | | | | | 125°C | 0.8 | | |
| | | | | 15 V | - 55°C | 0.8 | | |
| | | | | | - 40°C | 0.8 | | |
| | | | | | 25°C | 0.8 | | |
| | | | | | 85°C | 0.8 | | |
| | | | | | 125°C | 0.8 | | |
| Input High Voltage, V_{IH} , Min | | | | 5 V | - 55°C | 3.5 | | V |
| | | | | | - 40°C | 3.5 | | |
| | | | | | 25°C | 3.5 | | |
| | | | | | 85°C | 3.5 | | |
| | | | | | 125°C | 3.5 | | |
| | | | | 10 V | - 55°C | 7 | | |
| | | | | | - 40°C | 7 | | |
| | | | | | 25°C | 7 | | |
| | | | | | 85°C | 7 | | |
| | | | | | 125°C | 7 | | |
| | | | | 15 V | - 55°C | 11 | | |
| | | | | | - 40°C | 11 | | |
| | | | | | 25°C | 11 | | |
| | | | | | 85°C | 11 | | |
| | | | | | 125°C | 11 | | |
| Input current, I_{IN} (Max) | | | | 18 V | - 55°C | ±1 | | µA |
| | | | | | - 40°C | ±1 | | |
| | | | | | 25°C | ±0.6 | ±1 | |
| | | | | | 85°C | ±1 | | |
| | | | | | 125°C | ±1 | | |
| Propagation Delay Time | Address-to-Signal OUT (Channels ON or OFF) (See Figure 7-2, Figure 7-3, and Figure 7-8) | $t_r, t_f = 20\text{ns}$, $C_L = 50\text{ pF}$, $R_L = 10\text{ k}\Omega$ | 0 V | 0 V | 5 V | 450 | 720 | ns |
| | | | 0 V | 0 V | 10 V | 160 | 320 | |
| | | | 0 V | 0 V | 15 V | 120 | 240 | |
| | | | - 5 V | 0 V | 5 V | 225 | 450 | |

6.5 Electrical Characteristics (continued)

Over operating free-air temperature range, $V_{SUPPLY} = \pm 5\text{ V}$, and $R_L = 100\ \Omega$, (unless otherwise noted)⁽¹⁾

| PARAMETER | | TEST CONDITIONS | | | | MIN | TYP | MAX | UNIT |
|--|---|--|--------|-----|------|------|-----|-----|------|
| Propagation Delay Time | Inhibit-to-Signal OUT (Channel Turning ON) (See Figure 7-3) | $t_r, t_f = 20\text{ ns}$, $C_L = 50\text{ pF}$, $R_L = 1\text{ k}\Omega$ | 0 V | 0 V | 5 V | | 400 | 720 | ns |
| | | | 0 V | 0 V | 10 V | | 160 | 320 | |
| | | | 0 V | 0 V | 15 V | | 120 | 240 | |
| | | | - 10 V | 0 V | 5 V | | 200 | 400 | |
| Propagation Delay Time | Inhibit-to-Signal OUT (Channel Turning OFF) (See Figure 7-10) | $t_r, t_f = 20\text{ ns}$, $C_L = 50\text{ pF}$, $R_L = 10\text{ k}\Omega$ | 0 V | 0 V | 5 V | | 200 | 450 | ns |
| | | | 0 V | 0 V | 10 V | | 90 | 210 | |
| | | | 0 V | 0 V | 15 V | | 70 | 160 | |
| | | | - 10 V | 0 V | 5 V | | 130 | 300 | |
| Input Capacitance, C_{IN} (Any Address or Inhibit Input) | | | - 5 V | 0 V | 5 V | 25°C | 5 | 7.5 | pF |

- (1) Peak-to-Peak voltage symmetrical about $(V_{DD} - V_{EE}) / 2$.
(2) Determined by minimum feasible leakage measurement for automatic testing.

6.6 AC Performance Characteristics

$V_{DD} = +15\text{ V}$, $V_{SS} = V_{EE} = 0\text{ V}$,
 $T_A = 25^\circ\text{C}$ (unless otherwise noted)

| PARAMETER | TEST CONDITIONS | | | TYP | UNIT | | |
|--|--|--------------|-------------------------|---------------------------------------|-------------------------|-------|--------------------|
| | V_{IS} (V) | V_{DD} (V) | R_L (k Ω) | | | | |
| Cutoff (- 3dB) Frequency Channel ON (Sine Wave Input) | 5 ⁽¹⁾ | 10 | 1 | V_{OS} at Common OUT/IN | CD4053 | 30 | MHz |
| | | 10 | 1 | | CD4052 | 25 | |
| | | 10 | 1 | | CD4051 | 20 | |
| | $V_{EE} = V_{SS}$, $20\text{Log}(V_{OS}/V_{IS}) = - 3\text{ dB}$ | | V_{OS} at Any Channel | | | 60 | |
| Total Harmonic Distortion, THD | 2 ⁽¹⁾ | 5 | 10 | | | 0.3% | % |
| | 3 ⁽¹⁾ | 10 | 10 | | | 0.2% | |
| | 5 ⁽¹⁾ | 15 | 10 | | | 0.12% | |
| | $V_{EE} = V_{SS}$, $f_{IS} = 1\text{ kHz}$ Sine Wave | | | | | | |
| - 40dB Feedthrough Frequency (All Channels OFF) | 5 ⁽¹⁾ | 10 | 1 | V_{OS} at Common OUT/IN | CD4053 | 8 | MHz |
| | | | | | CD4052 | 10 | |
| | | | | | CD4051 | 12 | |
| | $V_{EE} = V_{SS}$, $20\text{Log}(V_{OS}/V_{IS}) = - 40\text{ dB}$ | | V_{OS} at Any Channel | | | 8 | |
| - 40dB Signal Crosstalk Frequency | 5 ⁽¹⁾ | 10 | 1 | | | 3 | MHz |
| | $V_{EE} = V_{SS}$, $20\text{Log}(V_{OS}/V_{IS}) = - 3\text{ dB}$ | | | Between Sections, CD4052 Only | Measured on Common | 6 | |
| | | | | | Measured on Any Channel | 10 | |
| | | | | Between Any Two Sections, CD4053 Only | In Pin 2, Out Pin 14 | 2.5 | |
| | | | | | In Pin 15, Out Pin 14 | 6 | |
| Address-or-Inhibit-to-Signal Crosstalk | | 10 | 10 ⁽²⁾ | | | 65 | mV _{PEAK} |
| | $V_{EE} = 0$, $V_{SS} = 0$, $t_r, t_f = 20\text{ ns}$, mV _{PEAK} $V_{CC} = V_{DD} - V_{SS}$ (Square Wave) | | | | | 65 | mV _{PEAK} |

- (1) Peak-to-Peak voltage symmetrical about $(V_{DD} - V_{EE}) / 2$.

(2) Both ends of channel.

6.7 Typical Characteristics

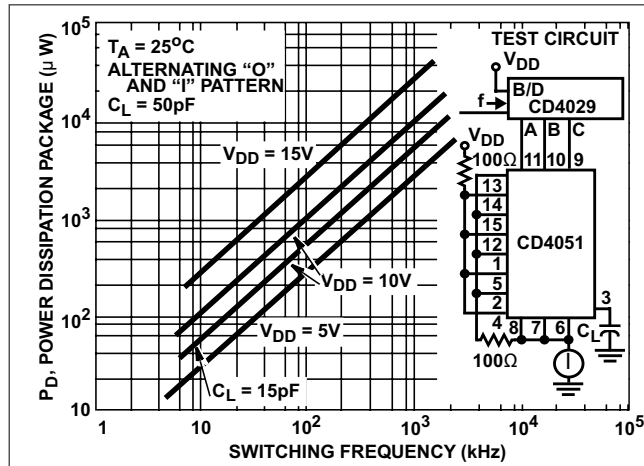


图 6-1. Dynamic Power Dissipation vs Switching Frequency (CD4051B)

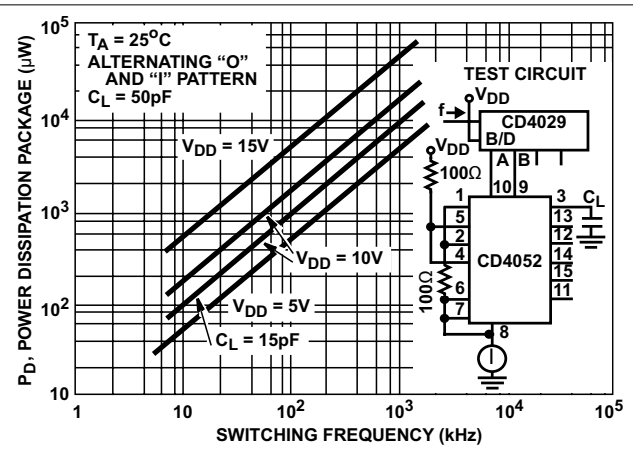


图 6-2. Dynamic Power Dissipation vs Switching Frequency (CD4052B)

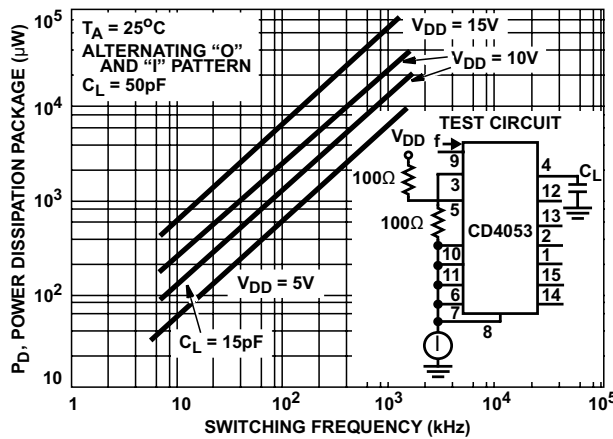


图 6-3. Dynamic Power Dissipation vs Switching Frequency (CD4053B)

7 Parameter Measurement Information

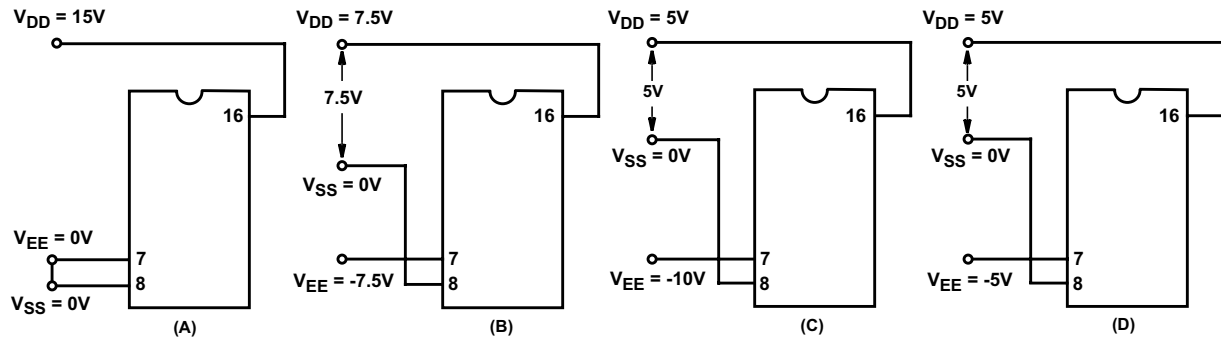


图 7-1. Typical Bias Voltages

备注

The ADDRESS (digital-control inputs) and INHIBIT logic levels are: 0 = V_{SS} and 1 = V_{DD} . The analog signal (through the TG) may swing from V_{EE} to V_{DD} .

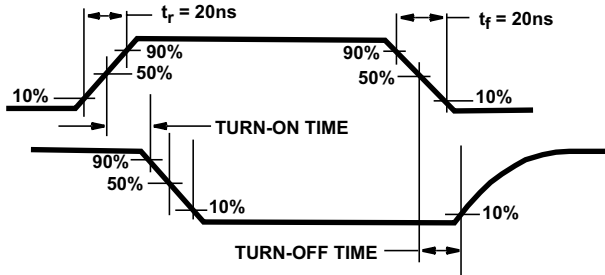


图 7-2. Waveforms, Channel Being Turned ON ($R_L = 1\text{ k}\Omega$)

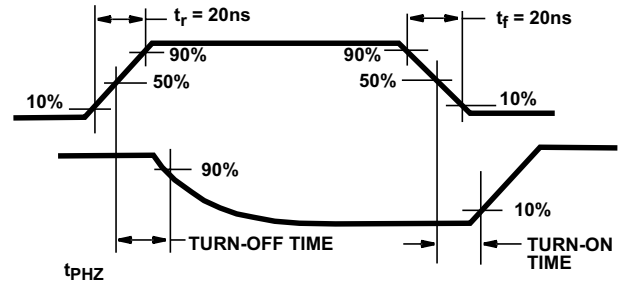


图 7-3. Waveforms, Channel Being Turned OFF ($R_L = 1\text{ k}\Omega$)

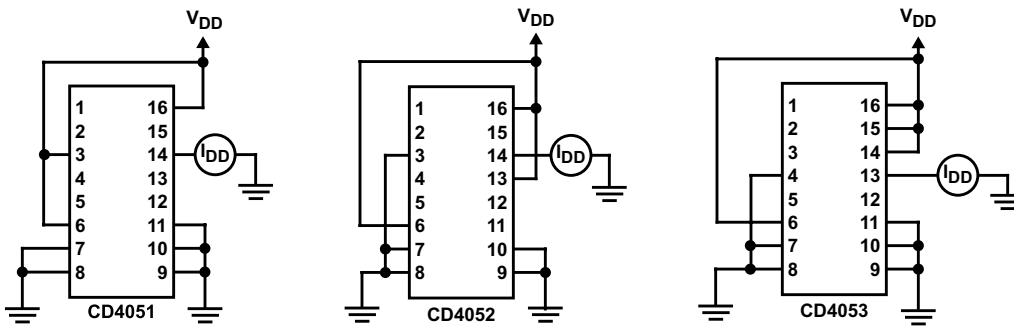
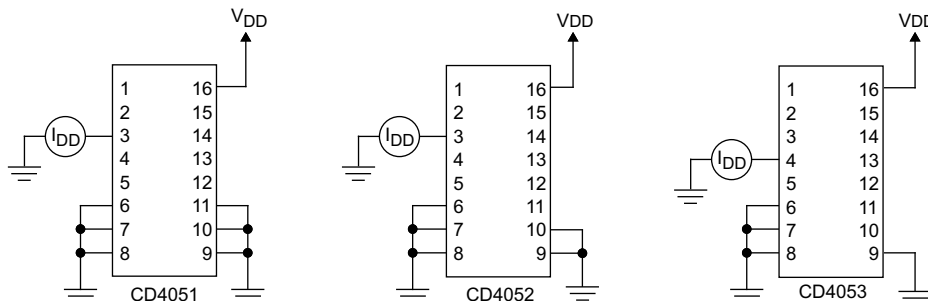


图 7-4. OFF Channel Leakage Current - Any Channel OFF



Copyright © 2017, Texas Instruments Incorporated

图 7-5. On Channel Leakage Current - Any Channel On

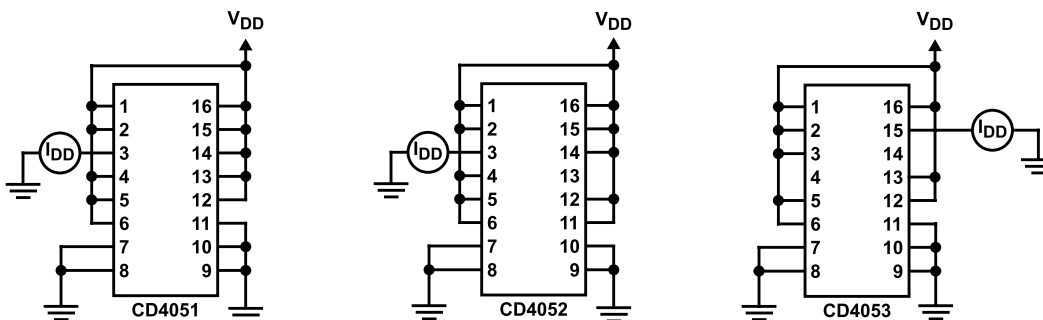


图 7-6. OFF Channel Leakage Current - All Channels OFF

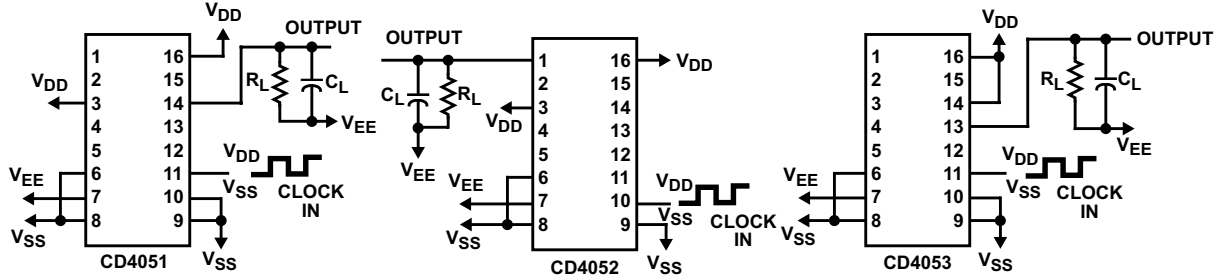


图 7-7. Propagation Delay - Address Input to Signal Output

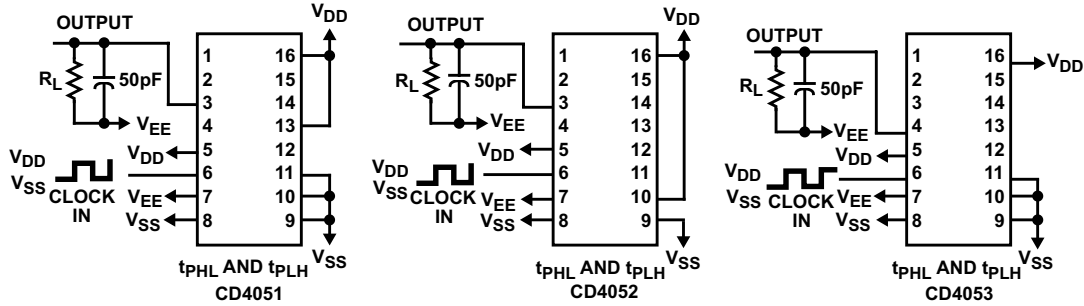


图 7-8. Propagation Delay - Inhibit Input to Signal Output

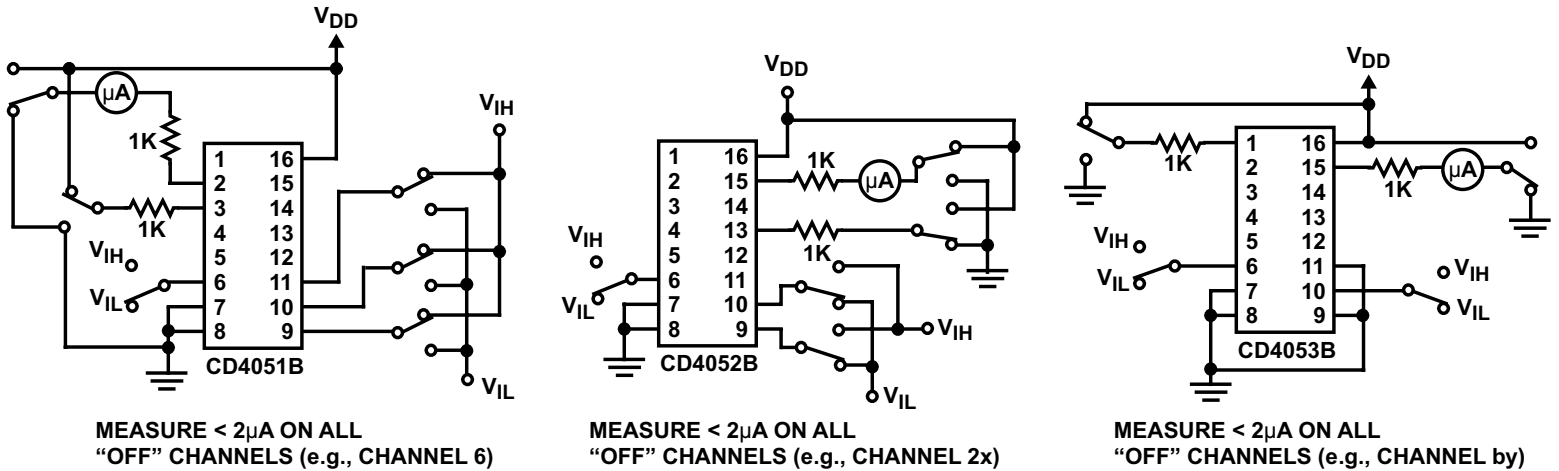


图 7-9. Input Voltage Test Circuits (Noise Immunity)

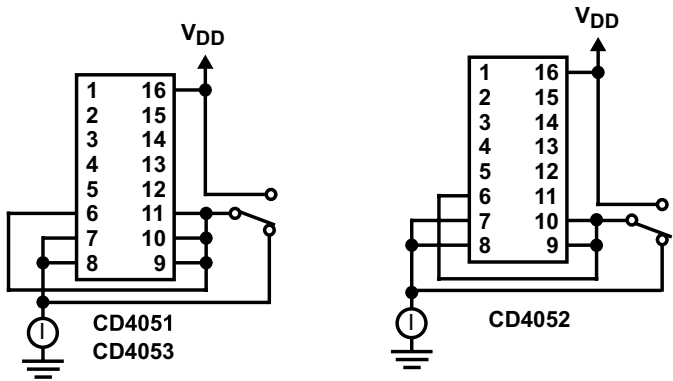


图 7-10. Quiescent Device Current

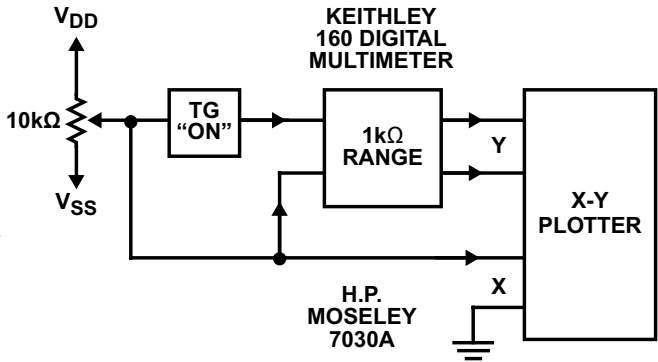


图 7-11. Channel ON Resistance Measurement Circuit

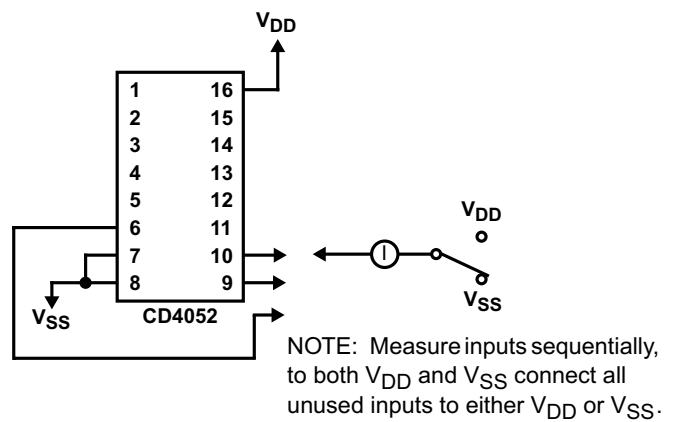
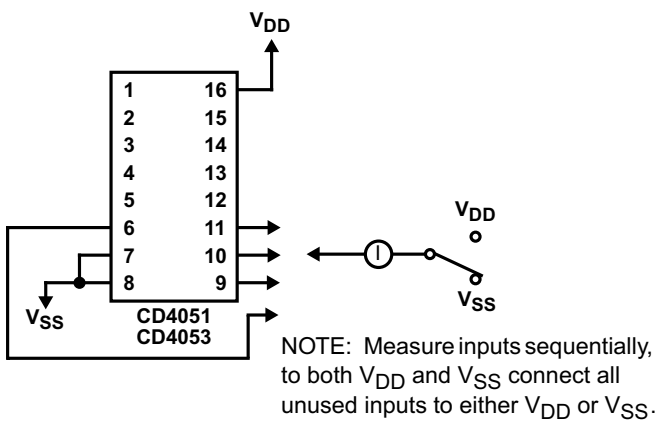


图 7-12. Input Current

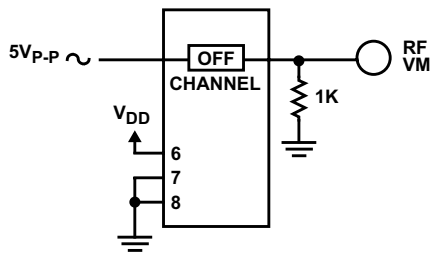


图 7-13. Feed-Through (All Types)

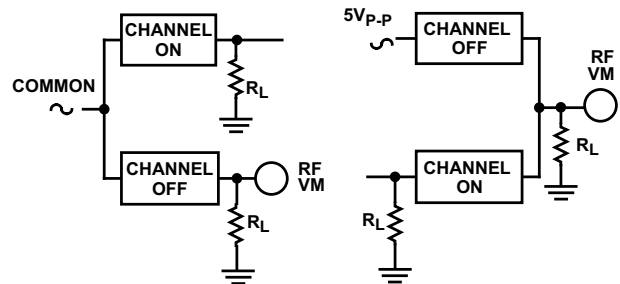
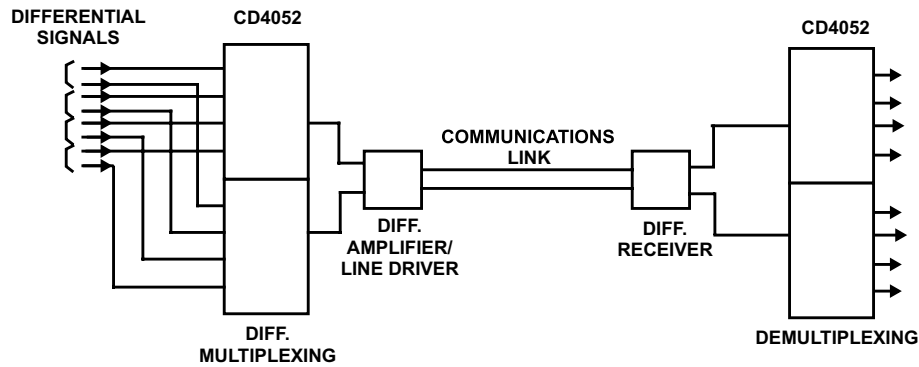


图 7-14. Crosstalk Between Any Two Channels (All Types)



图 7-15. Crosstalk Between Duals or Triplets (CD4052B, CD4053B)



Special Considerations: In applications where separate power sources are used to drive V_{DD} and the signal inputs, the V_{DD} current capability should exceed V_{DD}/R_L (R_L = effective external load). This provision avoids permanent current flow or clamp action on the V_{DD} supply when power is applied or removed from the CD4051B, CD4052B or CD4053B.

图 7-16. Typical Time-Division Application of the CD4052B

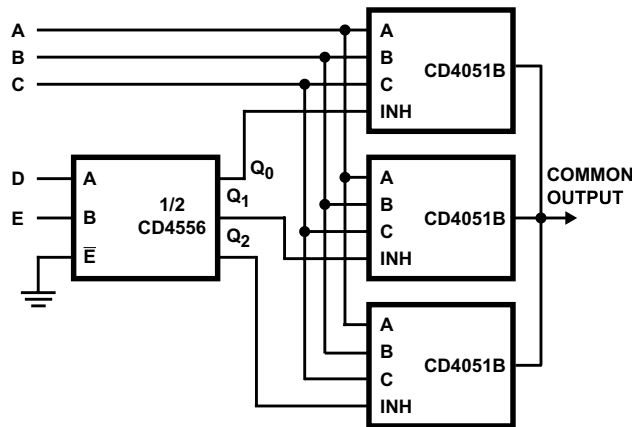


图 7-17. 24-to-1 MUX Addressing

8 Detailed Description

8.1 Overview

The CD4051B, CD4052B, and CD4053B analog multiplexers are digitally-controlled analog switches having low ON impedance and very low OFF leakage current. Control of analog signals up to 20 V_{P-P} can be achieved by digital signal amplitudes of 4.5 V to 20 V (if $V_{DD} - V_{SS} = 3$ V, a $V_{DD} - V_{EE}$ of up to 13 V can be controlled; for $V_{DD} - V_{EE}$ level differences above 13 V, a $V_{DD} - V_{SS}$ of at least 4.5 V is required). For example, if $V_{DD} = +4.5$ V, $V_{SS} = 0$ V, and $V_{EE} = -13.5$ V, analog signals from -13.5 V to $+4.5$ V can be controlled by digital inputs of 0 V to 5 V. These multiplexer circuits dissipate extremely low quiescent power over the full $V_{DD} - V_{SS}$ and $V_{DD} - V_{EE}$ supply-voltage ranges, independent of the logic state of the control signals. When a logic 1 is present at the inhibit input terminal, all channels are off.

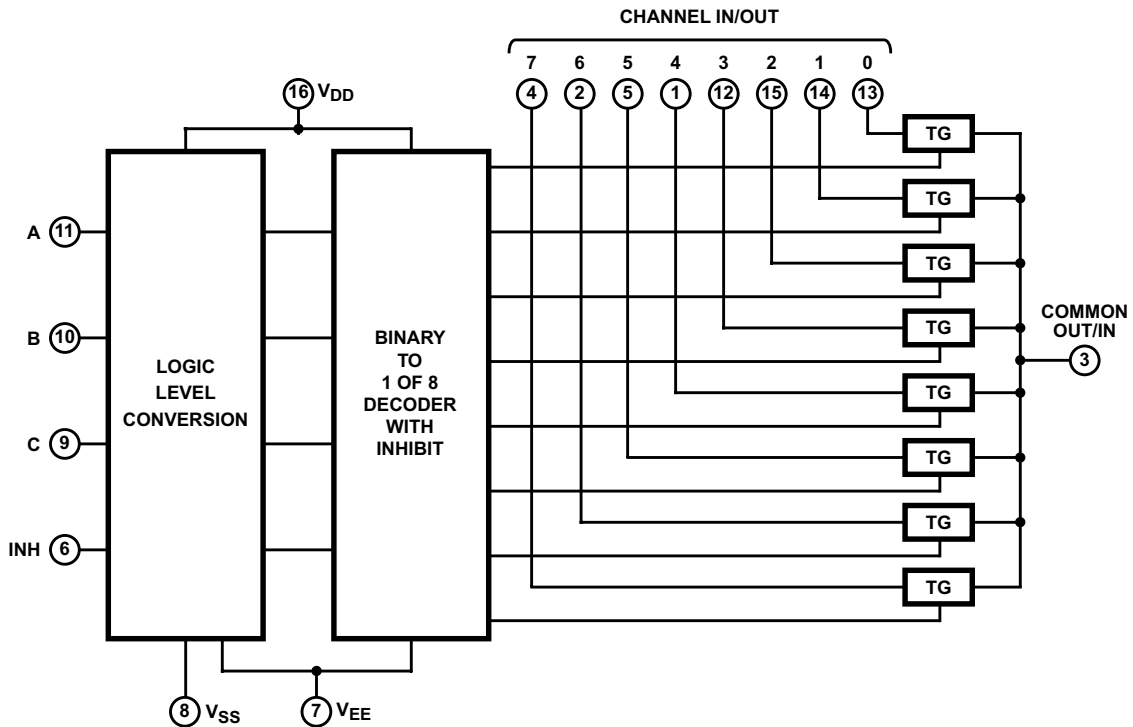
The CD4051B device is a single 8-channel multiplexer having three binary control inputs, A, B, and C, and an inhibit input. The three binary signals select 1 of 8 channels to be turned on, and connect one of the 8 inputs to the output.

The CD4052B device is a differential 4-channel multiplexer having two binary control inputs, A and B, and an inhibit input. The two binary input signals select 1 of 4 pairs of channels to be turned on and connect the analog inputs to the outputs.

The CD4053B device is a triple 2-channel multiplexer having three separate digital control inputs, A, B, and C, and an inhibit input. Each control input selects one of a pair of channels which are connected in a single-pole, double-throw configuration.

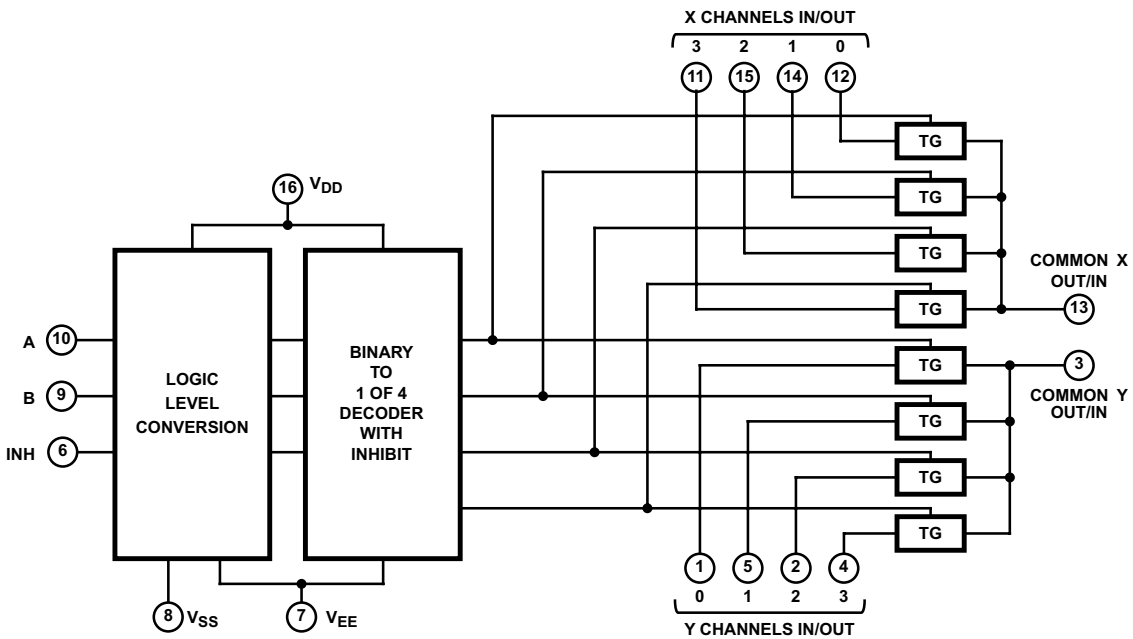
When these devices are used as demultiplexers, the CHANNEL IN/OUT terminals are the outputs and the COMMON OUT/IN terminals are the inputs.

8.2 Functional Block Diagrams



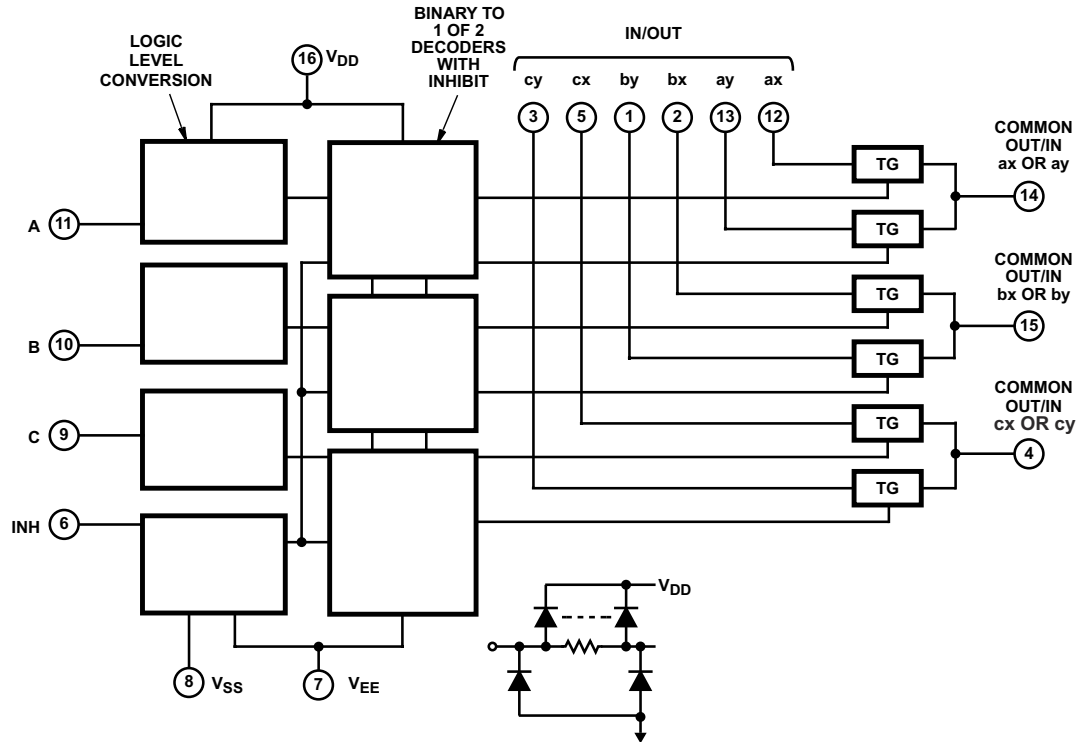
All inputs are protected by standard CMOS protection network.

图 8-1. Functional Block Diagram, CD4051B



All inputs are protected by standard CMOS protection network.

图 8-2. Functional Block Diagram, CD4052B



All inputs are protected by standard CMOS protection network.

图 8-3. Functional Block Diagram, CD4053B

8.3 Feature Description

The CD405xB line of multiplexers and demultiplexers can accept a wide range of digital and analog signal levels. Digital signals range from 3 V to 20 V, and analog signals are accepted at levels ≤ 20 V. The devices have low ON resistance, typically 125Ω over 15 V_{P-P} signal input range for $V_{DD} - V_{EE} = 18$ V. This feature allows for very little signal loss through the switch. Matched switch characteristics are typically $r_{ON} = 5 \Omega$ for $V_{DD} - V_{EE} = 15$ V.

The CD405xB devices also have high OFF resistance, which keeps from wasting power when the switch is in the OFF position, with typical channel leakage of ± 100 pA at $V_{DD} - V_{EE} = 18$ V. Very low quiescent power dissipation under all digital-control input and supply conditions, typically $0.2 \mu\text{W}$ at $V_{DD} - V_{SS} = V_{DD} - V_{EE} = 10$ V keeps power consumption total very low. All devices have been 100% tested for quiescent current at 20 V with maximum input current of $1 \mu\text{A}$ at 18 V over the full package temperature range, and only 100 nA at 18 V and 25°C.

Logic-level conversion for digital addressing signals of 3 V to 20 V ($V_{DD} - V_{SS} = 3$ V to 20 V) to switch analog signals to 20 V_{P-P} ($V_{DD} - V_{EE} = 20$ V). Binary address decoding on chip makes channel selection easy. When channels are changed, a break-before-make system eliminates channel overlap.

8.4 Device Functional Modes

表 8-1. Truth Table⁽¹⁾

| INPUT STATES | | | | ON CHANNEL(S) |
|----------------|---|---|---|---------------|
| INHIBIT | C | B | A | |
| CD4051B | | | | |
| 0 | 0 | 0 | 0 | 0 |
| 0 | 0 | 0 | 1 | 1 |
| 0 | 0 | 1 | 0 | 2 |
| 0 | 0 | 1 | 1 | 3 |
| 0 | 1 | 0 | 0 | 4 |
| 0 | 1 | 0 | 1 | 5 |
| 0 | 1 | 1 | 0 | 6 |
| 0 | 1 | 1 | 1 | 7 |
| 1 | X | X | X | None |
| CD4052B | | | | |
| 0 | | 0 | 0 | 0x, 0y |
| 0 | | 0 | 1 | 1x, 1y |
| 0 | | 1 | 0 | 2x, 2y |
| 0 | | 1 | 1 | 3x, 3y |
| 1 | | X | X | None |
| CD4053B | | | | |
| 0 | X | X | 0 | ax |
| 0 | X | X | 1 | ay |
| 0 | X | 0 | X | bx |
| 0 | X | 1 | X | by |
| 0 | 0 | X | X | cx |
| 0 | 1 | X | X | cy |
| 1 | X | X | X | None |

(1) X = Do not care

9 Application and Implementation

备注

以下应用部分中的信息不属于 TI 器件规格的范围，TI 不担保其准确性和完整性。TI 的客户应负责确定器件是否适用于其应用。客户应验证并测试其设计，以确保系统功能。

9.1 Application Information

The CD405xB multiplexers and demultiplexers can be used for a wide variety of applications.

9.2 Typical Application

One application of the CD4051B is to use it in conjunction with a microcontroller to poll a keypad. 图 9-1 shows the basic schematic for such a polling system. The microcontroller uses the channel select pins to cycle through the different channels while reading the input to see if a user is pressing any of the keys. This application is a very robust setup, allowing for multiple simultaneous key-presses with very little power consumption. This setup also uses very few pins on the microcontroller. The down side of polling is that the microcontroller must continually scan the keys for a press and can do little else during this process.

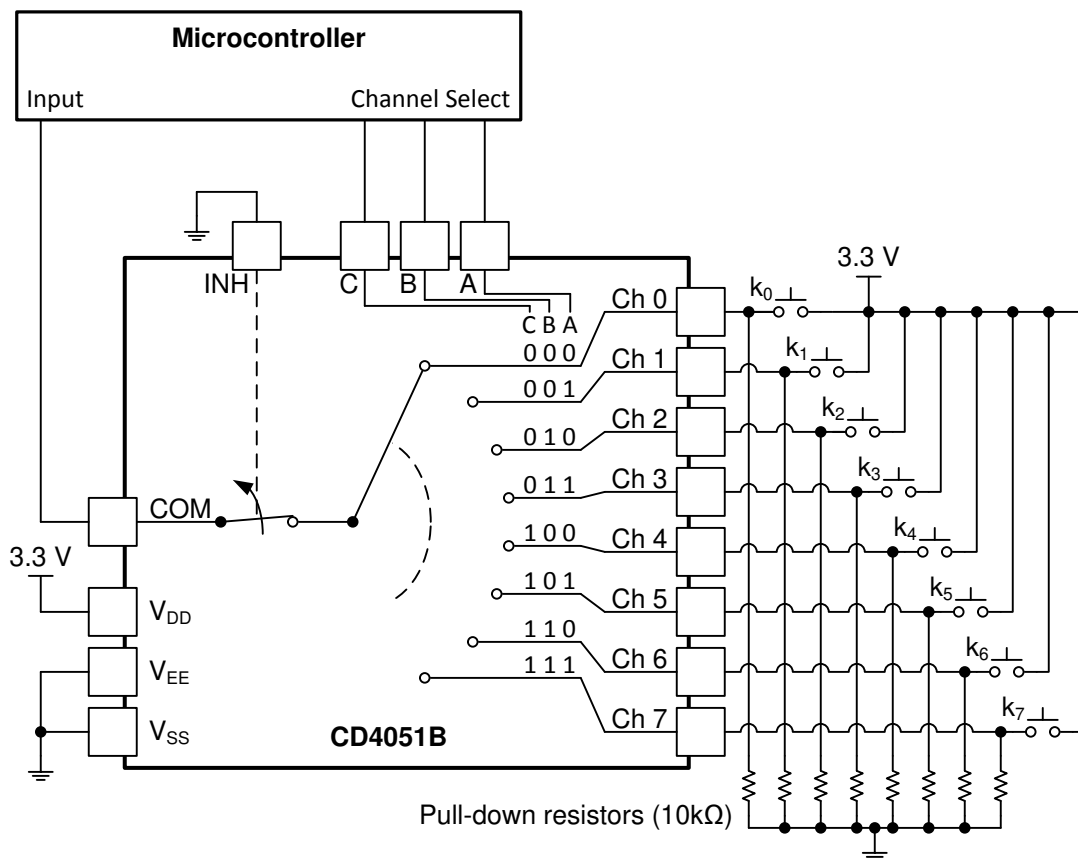


图 9-1. The CD4051B Being Used to Help Read Button Presses on a Keypad

9.2.1 Design Requirements

These devices use CMOS technology and have balanced output drive. Take care to avoid bus contention because it can drive currents that would exceed maximum limits. The high drive will also create fast edges into light loads, so routing and load conditions should be considered to prevent ringing.

9.2.2 Detailed Design Procedure

- Recommended Input Conditions:
 - For switch time specifications, see propagation delay times in [Electrical Characteristics](#).
 - Inputs should not be pushed more than 0.5 V above V_{DD} or below V_{EE} .
 - For input voltage level specifications for control inputs, see V_{IH} and V_{IL} in [Electrical Characteristics](#).
- Recommended Output Conditions:
 - Outputs should not be pulled above V_{DD} or below V_{EE} .
- Input or output current consideration:
 - The CD405xB series of parts do not have internal current drive circuitry and thus cannot sink or source current. Any current will be passed through the device.

9.2.3 Application Curve

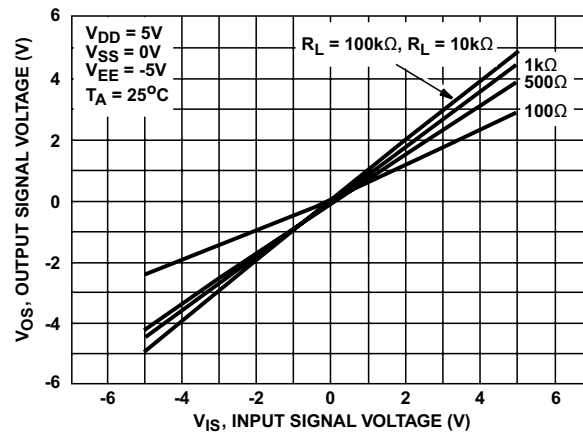


图 9-2. ON Characteristics for 1 of 8 Channels (CD4051B)

9.3 Power Supply Recommendations

The power supply can be any voltage between the minimum and maximum supply voltage rating located in the [Electrical Characteristics](#).

Each V_{CC} terminal should have a good bypass capacitor to prevent power disturbance. For devices with a single supply, a 0.1- μF bypass capacitor is recommended. If there are multiple pins labeled V_{CC} , then a 0.01- μF or 0.022- μF capacitor is recommended for each V_{CC} because the V_{CC} pins will be tied together internally. For devices with dual supply pins operating at different voltages, for example V_{CC} and V_{DD} , a 0.1- μF bypass capacitor is recommended for each supply pin. It is acceptable to parallel multiple bypass capacitors to reject different frequencies of noise. 0.1- μF and 1- μF capacitors are commonly used in parallel. The bypass capacitor should be installed as close to the power terminal as possible for best results.

9.4 Layout

9.4.1 Layout Guidelines

Reflections and matching are closely related to loop antenna theory, but different enough to warrant their own discussion. When a PCB trace turns a corner at a 90° angle, a reflection can occur. This reflection is primarily due to the change of width of the trace. At the apex of the turn, the trace width is increased to 1.414 times its width. This upsets the transmission line characteristics, especially the distributed capacitance and self-inductance of the trace — resulting in the reflection. It is a given that not all PCB traces can be straight, and so they will have to turn corners. 图 9-3 shows progressively better techniques of rounding corners. Only the last example maintains constant trace width and minimizes reflections.

9.4.2 Layout Example

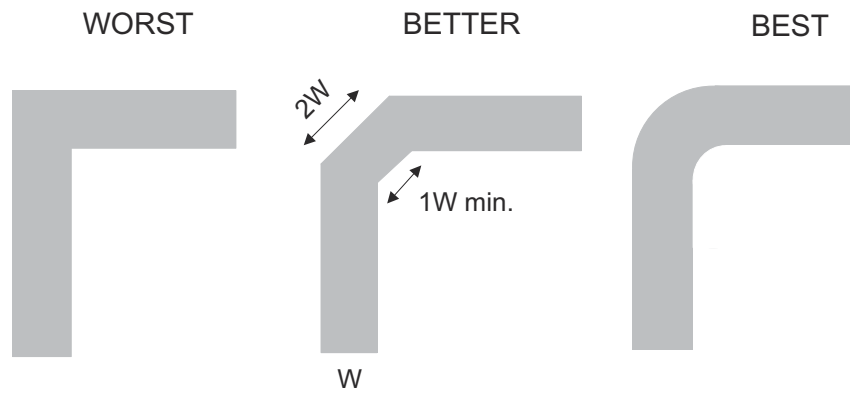


图 9-3. Trace Example

10 Device and Documentation Support

10.1 Documentation Support

10.1.1 Related Documentation

For related documentation, see the following:

- Texas Instruments, [Implications of Slow or Floating CMOS Inputs](#)

10.2 接收文档更新通知

要接收文档更新通知，请导航至 [ti.com](https://www.ti.com) 上的器件产品文件夹。点击 [订阅更新](#) 进行注册，即可每周接收产品信息更改摘要。有关更改的详细信息，请查看任何已修订文档中包含的修订历史记录。

10.3 支持资源

[TI E2E™ 支持论坛](#) 是工程师的重要参考资料，可直接从专家获得快速、经过验证的解答和设计帮助。搜索现有解答或提出自己的问题可获得所需的快速设计帮助。

链接的内容由各个贡献者“按原样”提供。这些内容并不构成 TI 技术规范，并且不一定反映 TI 的观点；请参阅 TI 的 [《使用条款》](#)。

10.4 Trademarks

TI E2E™ is a trademark of Texas Instruments.

所有商标均为其各自所有者的财产。

10.5 静电放电警告



静电放电 (ESD) 会损坏这个集成电路。德州仪器 (TI) 建议通过适当的预防措施处理所有集成电路。如果不遵守正确的处理和安装程序，可能会损坏集成电路。

ESD 的损坏小至导致微小的性能降级，大至整个器件故障。精密的集成电路可能更容易受到损坏，这是因为非常细微的参数更改都可能会导致器件与其发布的规格不相符。

10.6 术语表

[TI 术语表](#) 本术语表列出并解释了术语、首字母缩略词和定义。

11 Mechanical, Packaging, and Orderable Information

The following pages include mechanical, packaging, and orderable information. This information is the most current data available for the designated devices. This data is subject to change without notice and revision of this document. For browser-based versions of this data sheet, refer to the left-hand navigation.

PACKAGING INFORMATION

| Orderable Device | Status (1) | Package Type | Package Drawing | Pins | Package Qty | Eco Plan (2) | Lead finish/ Ball material (6) | MSL Peak Temp (3) | Op Temp (°C) | Device Marking (4/5) | Samples |
|------------------|---------------|--------------|-----------------|------|-------------|------------------|--------------------------------------|----------------------|--------------|-------------------------|-------------------------|
| 7901502EA | ACTIVE | CDIP | J | 16 | 25 | Non-RoHS & Green | SNPB | N / A for Pkg Type | -55 to 125 | 7901502EA CD4052BF3A | Samples |
| 8101801EA | ACTIVE | CDIP | J | 16 | 25 | Non-RoHS & Green | SNPB | N / A for Pkg Type | -55 to 125 | 8101801EA CD4053BF3A | Samples |
| CD4051BE | ACTIVE | PDIP | N | 16 | 25 | RoHS & Green | NIPDAU | N / A for Pkg Type | -55 to 125 | CD4051BE | Samples |
| CD4051BEE4 | LIFEBUY | PDIP | N | 16 | 25 | RoHS & Green | NIPDAU | N / A for Pkg Type | -55 to 125 | CD4051BE | |
| CD4051BF | ACTIVE | CDIP | J | 16 | 25 | Non-RoHS & Green | SNPB | N / A for Pkg Type | -55 to 125 | CD4051BF | Samples |
| CD4051BF3A | ACTIVE | CDIP | J | 16 | 25 | Non-RoHS & Green | SNPB | N / A for Pkg Type | -55 to 125 | CD4051BF3A | Samples |
| CD4051BM | LIFEBUY | SOIC | D | 16 | 40 | RoHS & Green | NIPDAU | Level-1-260C-UNLIM | -55 to 125 | CD4051BM | |
| CD4051BM96 | ACTIVE | SOIC | D | 16 | 2500 | RoHS & Green | NIPDAU SN | Level-1-260C-UNLIM | -55 to 125 | CD4051BM | Samples |
| CD4051BM96G3 | LIFEBUY | SOIC | D | 16 | 2500 | RoHS & Green | SN | Level-1-260C-UNLIM | -55 to 125 | CD4051BM | |
| CD4051BM96G4 | LIFEBUY | SOIC | D | 16 | 2500 | RoHS & Green | NIPDAU | Level-1-260C-UNLIM | -55 to 125 | CD4051BM | |
| CD4051BMG4 | LIFEBUY | SOIC | D | 16 | 40 | RoHS & Green | NIPDAU | Level-1-260C-UNLIM | -55 to 125 | CD4051BM | |
| CD4051BMT | LIFEBUY | SOIC | D | 16 | 250 | RoHS & Green | NIPDAU | Level-1-260C-UNLIM | -55 to 125 | CD4051BM | |
| CD4051BNSR | ACTIVE | SO | NS | 16 | 2000 | RoHS & Green | NIPDAU | Level-1-260C-UNLIM | -55 to 125 | CD4051B | Samples |
| CD4051BPW | NRND | TSSOP | PW | 16 | 90 | RoHS & Green | NIPDAU | Level-1-260C-UNLIM | -55 to 125 | CM051B | |
| CD4051BPWE4 | NRND | TSSOP | PW | 16 | 90 | RoHS & Green | NIPDAU | Level-1-260C-UNLIM | -55 to 125 | CM051B | |
| CD4051BPWR | ACTIVE | TSSOP | PW | 16 | 2000 | RoHS & Green | NIPDAU | Level-1-260C-UNLIM | -55 to 125 | CM051B | Samples |
| CD4051BPWRG4 | NRND | TSSOP | PW | 16 | 2000 | RoHS & Green | NIPDAU | Level-1-260C-UNLIM | -55 to 125 | CM051B | |
| CD4051BQPWRG4KN | LIFEBUY | TSSOP | PW | 16 | 2000 | RoHS & Green | NIPDAU | Level-1-260C-UNLIM | | CM051BQ | |
| CD4052BE | ACTIVE | PDIP | N | 16 | 25 | RoHS & Green | NIPDAU | N / A for Pkg Type | -55 to 125 | CD4052BE | Samples |
| CD4052BEE4 | ACTIVE | PDIP | N | 16 | 25 | RoHS & Green | NIPDAU | N / A for Pkg Type | -55 to 125 | CD4052BE | Samples |
| CD4052BF | ACTIVE | CDIP | J | 16 | 25 | Non-RoHS & Green | SNPB | N / A for Pkg Type | -55 to 125 | CD4052BF | Samples |
| CD4052BF3A | ACTIVE | CDIP | J | 16 | 25 | Non-RoHS & Green | SNPB | N / A for Pkg Type | -55 to 125 | 7901502EA CD4052BF3A | Samples |

| Orderable Device | Status (1) | Package Type | Package Drawing | Pins | Package Qty | Eco Plan (2) | Lead finish/ Ball material (6) | MSL Peak Temp (3) | Op Temp (°C) | Device Marking (4/5) | Samples |
|------------------|---------------|--------------|-----------------|------|-------------|---------------------|--------------------------------------|----------------------|--------------|-------------------------|---------|
| CD4052BM | LIFEBUY | SOIC | D | 16 | 40 | RoHS & Green | NIPDAU | Level-1-260C-UNLIM | -55 to 125 | CD4052BM | |
| CD4052BM96 | ACTIVE | SOIC | D | 16 | 2500 | RoHS & Green | NIPDAU SN | Level-1-260C-UNLIM | -55 to 125 | CD4052BM | Samples |
| CD4052BM96G3 | LIFEBUY | SOIC | D | 16 | 2500 | RoHS & Green | SN | Level-1-260C-UNLIM | -55 to 125 | CD4052BM | |
| CD4052BM96G4 | LIFEBUY | SOIC | D | 16 | 2500 | RoHS & Green | NIPDAU | Level-1-260C-UNLIM | -55 to 125 | CD4052BM | |
| CD4052BMG4 | LIFEBUY | SOIC | D | 16 | 40 | RoHS & Green | NIPDAU | Level-1-260C-UNLIM | -55 to 125 | CD4052BM | |
| CD4052BMT | LIFEBUY | SOIC | D | 16 | 250 | RoHS & Green | NIPDAU | Level-1-260C-UNLIM | -55 to 125 | CD4052BM | |
| CD4052BNS | LIFEBUY | SO | NS | 16 | 50 | RoHS & Green | NIPDAU | Level-1-260C-UNLIM | | CD4052B | |
| CD4052BNSR | ACTIVE | SO | NS | 16 | 2000 | RoHS & Green | NIPDAU | Level-1-260C-UNLIM | -55 to 125 | CD4052B | Samples |
| CD4052BPW | NRND | TSSOP | PW | 16 | 90 | RoHS & Green | NIPDAU | Level-1-260C-UNLIM | -55 to 125 | CM052B | |
| CD4052BPWR | ACTIVE | TSSOP | PW | 16 | 2000 | RoHS & Green | NIPDAU | Level-1-260C-UNLIM | -55 to 125 | CM052B | Samples |
| CD4052BPWRG3 | NRND | TSSOP | PW | 16 | 2000 | RoHS & Green | SN | Level-1-260C-UNLIM | -55 to 125 | CM052B | |
| CD4052BPWRG4 | NRND | TSSOP | PW | 16 | 2000 | RoHS & Green | NIPDAU | Level-1-260C-UNLIM | -55 to 125 | CM052B | |
| CD4053BE | ACTIVE | PDIP | N | 16 | 25 | RoHS & Green | NIPDAU | N / A for Pkg Type | -55 to 125 | CD4053BE | Samples |
| CD4053BEE4 | ACTIVE | PDIP | N | 16 | 25 | RoHS & Green | NIPDAU | N / A for Pkg Type | -55 to 125 | CD4053BE | Samples |
| CD4053BF | ACTIVE | CDIP | J | 16 | 25 | Non-RoHS & Green | SNPB | N / A for Pkg Type | -55 to 125 | CD4053BF | Samples |
| CD4053BF3A | ACTIVE | CDIP | J | 16 | 25 | Non-RoHS & Green | SNPB | N / A for Pkg Type | -55 to 125 | 8101801EA CD4053BF3A | Samples |
| CD4053BM | LIFEBUY | SOIC | D | 16 | 40 | RoHS & Green | NIPDAU | Level-1-260C-UNLIM | -55 to 125 | CD4053M | |
| CD4053BM96 | ACTIVE | SOIC | D | 16 | 2500 | RoHS & Green | NIPDAU SN | Level-1-260C-UNLIM | -55 to 125 | CD4053M | Samples |
| CD4053BM96E4 | LIFEBUY | SOIC | D | 16 | 2500 | RoHS & Green | NIPDAU | Level-1-260C-UNLIM | -55 to 125 | CD4053M | |
| CD4053BM96G3 | LIFEBUY | SOIC | D | 16 | 2500 | RoHS & Green | SN | Level-1-260C-UNLIM | -55 to 125 | CD4053M | |
| CD4053BM96G4 | LIFEBUY | SOIC | D | 16 | 2500 | RoHS & Green | NIPDAU | Level-1-260C-UNLIM | -55 to 125 | CD4053M | |
| CD4053BMG4 | LIFEBUY | SOIC | D | 16 | 40 | RoHS & Green | NIPDAU | Level-1-260C-UNLIM | -55 to 125 | CD4053M | |
| CD4053BMT | LIFEBUY | SOIC | D | 16 | 250 | RoHS & Green | NIPDAU | Level-1-260C-UNLIM | -55 to 125 | CD4053M | |
| CD4053BNSR | ACTIVE | SO | NS | 16 | 2000 | RoHS & Green | NIPDAU | Level-1-260C-UNLIM | -55 to 125 | CD4053B | Samples |
| CD4053BPW | NRND | TSSOP | PW | 16 | 90 | RoHS & Green | NIPDAU | Level-1-260C-UNLIM | -55 to 125 | CM053B | |
| CD4053BPWR | ACTIVE | TSSOP | PW | 16 | 2000 | RoHS & Green | NIPDAU | Level-1-260C-UNLIM | -55 to 125 | CM053B | Samples |

| Orderable Device | Status (1) | Package Type | Package Drawing | Pins | Package Qty | Eco Plan (2) | Lead finish/ Ball material (6) | MSL Peak Temp (3) | Op Temp (°C) | Device Marking (4/5) | Samples |
|------------------|---------------|--------------|-----------------|------|-------------|-----------------|--------------------------------------|----------------------|--------------|-------------------------|---------|
| CD4053BPWRG3 | NRND | TSSOP | PW | 16 | 2000 | RoHS & Green | SN | Level-1-260C-UNLIM | -55 to 125 | CM053B | |
| CD4053BPWRG4 | NRND | TSSOP | PW | 16 | 2000 | RoHS & Green | NIPDAU | Level-1-260C-UNLIM | -55 to 125 | CM053B | |

(1) The marketing status values are defined as follows:

ACTIVE: Product device recommended for new designs.

LIFEBUY: TI has announced that the device will be discontinued, and a lifetime-buy period is in effect.

NRND: Not recommended for new designs. Device is in production to support existing customers, but TI does not recommend using this part in a new design.

PREVIEW: Device has been announced but is not in production. Samples may or may not be available.

OBSOLETE: TI has discontinued the production of the device.

(2) **RoHS:** TI defines "RoHS" to mean semiconductor products that are compliant with the current EU RoHS requirements for all 10 RoHS substances, including the requirement that RoHS substance do not exceed 0.1% by weight in homogeneous materials. Where designed to be soldered at high temperatures, "RoHS" products are suitable for use in specified lead-free processes. TI may reference these types of products as "Pb-Free".

RoHS Exempt: TI defines "RoHS Exempt" to mean products that contain lead but are compliant with EU RoHS pursuant to a specific EU RoHS exemption.

Green: TI defines "Green" to mean the content of Chlorine (Cl) and Bromine (Br) based flame retardants meet JS709B low halogen requirements of <=1000ppm threshold. Antimony trioxide based flame retardants must also meet the <=1000ppm threshold requirement.

(3) MSL, Peak Temp. - The Moisture Sensitivity Level rating according to the JEDEC industry standard classifications, and peak solder temperature.

(4) There may be additional marking, which relates to the logo, the lot trace code information, or the environmental category on the device.

(5) Multiple Device Markings will be inside parentheses. Only one Device Marking contained in parentheses and separated by a "~" will appear on a device. If a line is indented then it is a continuation of the previous line and the two combined represent the entire Device Marking for that device.

(6) Lead finish/Ball material - Orderable Devices may have multiple material finish options. Finish options are separated by a vertical ruled line. Lead finish/Ball material values may wrap to two lines if the finish value exceeds the maximum column width.

Important Information and Disclaimer:The information provided on this page represents TI's knowledge and belief as of the date that it is provided. TI bases its knowledge and belief on information provided by third parties, and makes no representation or warranty as to the accuracy of such information. Efforts are underway to better integrate information from third parties. TI has taken and continues to take reasonable steps to provide representative and accurate information but may not have conducted destructive testing or chemical analysis on incoming materials and chemicals. TI and TI suppliers consider certain information to be proprietary, and thus CAS numbers and other limited information may not be available for release.

In no event shall TI's liability arising out of such information exceed the total purchase price of the TI part(s) at issue in this document sold by TI to Customer on an annual basis.

OTHER QUALIFIED VERSIONS OF CD4051B, CD4051B-MIL, CD4052B, CD4052B-MIL, CD4053B, CD4053B-MIL :

- Catalog : [CD4051B](#), [CD4052B](#), [CD4053B](#)
- Automotive : [CD4051B-Q1](#), [CD4051B-Q1](#), [CD4053B-Q1](#), [CD4053B-Q1](#)
- Military : [CD4051B-MIL](#), [CD4052B-MIL](#), [CD4053B-MIL](#)

NOTE: Qualified Version Definitions:

- Catalog - TI's standard catalog product
- Automotive - Q100 devices qualified for high-reliability automotive applications targeting zero defects
- Military - QML certified for Military and Defense Applications

TAPE AND REEL INFORMATION

QUADRANT ASSIGNMENTS FOR PIN 1 ORIENTATION IN TAPE


*All dimensions are nominal

| Device | Package Type | Package Drawing | Pins | SPQ | Reel Diameter (mm) | Reel Width W1 (mm) | A0 (mm) | B0 (mm) | K0 (mm) | P1 (mm) | W (mm) | Pin1 Quadrant |
|-----------------|--------------|-----------------|------|------|--------------------|--------------------|---------|---------|---------|---------|--------|---------------|
| CD4051BM96 | SOIC | D | 16 | 2500 | 330.0 | 16.4 | 6.5 | 10.3 | 2.1 | 8.0 | 16.0 | Q1 |
| CD4051BM96G3 | SOIC | D | 16 | 2500 | 330.0 | 16.8 | 6.5 | 10.3 | 2.1 | 8.0 | 16.0 | Q1 |
| CD4051BM96G4 | SOIC | D | 16 | 2500 | 330.0 | 16.4 | 6.5 | 10.3 | 2.1 | 8.0 | 16.0 | Q1 |
| CD4051BNSR | SO | NS | 16 | 2000 | 330.0 | 16.4 | 8.2 | 10.5 | 2.5 | 12.0 | 16.0 | Q1 |
| CD4051BNSR | SO | NS | 16 | 2000 | 330.0 | 16.4 | 8.2 | 10.5 | 2.5 | 12.0 | 16.0 | Q1 |
| CD4051BPWR | TSSOP | PW | 16 | 2000 | 330.0 | 12.4 | 6.9 | 5.6 | 1.6 | 8.0 | 12.0 | Q1 |
| CD4051BPWRG4 | TSSOP | PW | 16 | 2000 | 330.0 | 12.4 | 6.9 | 5.6 | 1.6 | 8.0 | 12.0 | Q1 |
| CD4051BQPWRG4KN | TSSOP | PW | 16 | 2000 | 330.0 | 12.4 | 6.9 | 5.6 | 1.6 | 8.0 | 12.0 | Q1 |
| CD4052BM96 | SOIC | D | 16 | 2500 | 330.0 | 16.4 | 6.5 | 10.3 | 2.1 | 8.0 | 16.0 | Q1 |
| CD4052BM96G3 | SOIC | D | 16 | 2500 | 330.0 | 16.8 | 6.5 | 10.3 | 2.1 | 8.0 | 16.0 | Q1 |
| CD4052BM96G4 | SOIC | D | 16 | 2500 | 330.0 | 16.4 | 6.5 | 10.3 | 2.1 | 8.0 | 16.0 | Q1 |
| CD4052BNSR | SO | NS | 16 | 2000 | 330.0 | 16.4 | 8.2 | 10.5 | 2.5 | 12.0 | 16.0 | Q1 |
| CD4052BNSR | SO | NS | 16 | 2000 | 330.0 | 16.4 | 8.2 | 10.5 | 2.5 | 12.0 | 16.0 | Q1 |
| CD4052BPWR | TSSOP | PW | 16 | 2000 | 330.0 | 12.4 | 6.9 | 5.6 | 1.6 | 8.0 | 12.0 | Q1 |
| CD4052BPWRG3 | TSSOP | PW | 16 | 2000 | 330.0 | 12.4 | 6.9 | 5.6 | 1.6 | 8.0 | 12.0 | Q1 |
| CD4052BPWRG4 | TSSOP | PW | 16 | 2000 | 330.0 | 12.4 | 6.9 | 5.6 | 1.6 | 8.0 | 12.0 | Q1 |

| Device | Package Type | Package Drawing | Pins | SPQ | Reel Diameter (mm) | Reel Width W1 (mm) | A0 (mm) | B0 (mm) | K0 (mm) | P1 (mm) | W (mm) | Pin1 Quadrant |
|--------------|--------------|-----------------|------|------|--------------------|--------------------|---------|---------|---------|---------|--------|---------------|
| CD4053BM96 | SOIC | D | 16 | 2500 | 330.0 | 16.4 | 6.5 | 10.3 | 2.1 | 8.0 | 16.0 | Q1 |
| CD4053BM96 | SOIC | D | 16 | 2500 | 330.0 | 16.4 | 6.5 | 10.3 | 2.1 | 8.0 | 16.0 | Q1 |
| CD4053BM96G3 | SOIC | D | 16 | 2500 | 330.0 | 16.8 | 6.5 | 10.3 | 2.1 | 8.0 | 16.0 | Q1 |
| CD4053BM96G4 | SOIC | D | 16 | 2500 | 330.0 | 16.4 | 6.5 | 10.3 | 2.1 | 8.0 | 16.0 | Q1 |
| CD4053BNSR | SO | NS | 16 | 2000 | 330.0 | 16.4 | 8.2 | 10.5 | 2.5 | 12.0 | 16.0 | Q1 |
| CD4053BNSR | SO | NS | 16 | 2000 | 330.0 | 16.4 | 8.2 | 10.5 | 2.5 | 12.0 | 16.0 | Q1 |
| CD4053BPWR | TSSOP | PW | 16 | 2000 | 330.0 | 12.4 | 6.9 | 5.6 | 1.6 | 8.0 | 12.0 | Q1 |
| CD4053BPWRG3 | TSSOP | PW | 16 | 2000 | 330.0 | 12.4 | 6.9 | 5.6 | 1.6 | 8.0 | 12.0 | Q1 |
| CD4053BPWRG4 | TSSOP | PW | 16 | 2000 | 330.0 | 12.4 | 6.9 | 5.6 | 1.6 | 8.0 | 12.0 | Q1 |

TAPE AND REEL BOX DIMENSIONS



*All dimensions are nominal

| Device | Package Type | Package Drawing | Pins | SPQ | Length (mm) | Width (mm) | Height (mm) |
|-----------------|--------------|-----------------|------|------|-------------|------------|-------------|
| CD4051BM96 | SOIC | D | 16 | 2500 | 356.0 | 356.0 | 35.0 |
| CD4051BM96G3 | SOIC | D | 16 | 2500 | 364.0 | 364.0 | 27.0 |
| CD4051BM96G4 | SOIC | D | 16 | 2500 | 340.5 | 336.1 | 32.0 |
| CD4051BNSR | SO | NS | 16 | 2000 | 356.0 | 356.0 | 35.0 |
| CD4051BNSR | SO | NS | 16 | 2000 | 353.0 | 353.0 | 32.0 |
| CD4051BPWR | TSSOP | PW | 16 | 2000 | 367.0 | 367.0 | 35.0 |
| CD4051BPWRG4 | TSSOP | PW | 16 | 2000 | 367.0 | 367.0 | 35.0 |
| CD4051BQPWRG4KN | TSSOP | PW | 16 | 2000 | 367.0 | 367.0 | 35.0 |
| CD4052BM96 | SOIC | D | 16 | 2500 | 356.0 | 356.0 | 35.0 |
| CD4052BM96G3 | SOIC | D | 16 | 2500 | 364.0 | 364.0 | 27.0 |
| CD4052BM96G4 | SOIC | D | 16 | 2500 | 340.5 | 336.1 | 32.0 |
| CD4052BNSR | SO | NS | 16 | 2000 | 353.0 | 353.0 | 32.0 |
| CD4052BNSR | SO | NS | 16 | 2000 | 356.0 | 356.0 | 35.0 |
| CD4052BPWR | TSSOP | PW | 16 | 2000 | 367.0 | 367.0 | 35.0 |
| CD4052BPWRG3 | TSSOP | PW | 16 | 2000 | 364.0 | 364.0 | 27.0 |
| CD4052BPWRG4 | TSSOP | PW | 16 | 2000 | 367.0 | 367.0 | 35.0 |
| CD4053BM96 | SOIC | D | 16 | 2500 | 340.5 | 336.1 | 32.0 |
| CD4053BM96 | SOIC | D | 16 | 2500 | 356.0 | 356.0 | 35.0 |

| Device | Package Type | Package Drawing | Pins | SPQ | Length (mm) | Width (mm) | Height (mm) |
|--------------|--------------|-----------------|------|------|-------------|------------|-------------|
| CD4053BM96G3 | SOIC | D | 16 | 2500 | 364.0 | 364.0 | 27.0 |
| CD4053BM96G4 | SOIC | D | 16 | 2500 | 340.5 | 336.1 | 32.0 |
| CD4053BNSR | SO | NS | 16 | 2000 | 353.0 | 353.0 | 32.0 |
| CD4053BNSR | SO | NS | 16 | 2000 | 356.0 | 356.0 | 35.0 |
| CD4053BPWR | TSSOP | PW | 16 | 2000 | 367.0 | 367.0 | 35.0 |
| CD4053BPWRG3 | TSSOP | PW | 16 | 2000 | 364.0 | 364.0 | 27.0 |
| CD4053BPWRG4 | TSSOP | PW | 16 | 2000 | 367.0 | 367.0 | 35.0 |

TUBE


*All dimensions are nominal

| Device | Package Name | Package Type | Pins | SPQ | L (mm) | W (mm) | T (μm) | B (mm) |
|-------------|--------------|--------------|------|-----|--------|--------|--------|--------|
| CD4051BE | N | PDIP | 16 | 25 | 506 | 13.97 | 11230 | 4.32 |
| CD4051BEE4 | N | PDIP | 16 | 25 | 506 | 13.97 | 11230 | 4.32 |
| CD4051BEE4 | N | PDIP | 16 | 25 | 506 | 13.97 | 11230 | 4.32 |
| CD4051BM | D | SOIC | 16 | 40 | 506.6 | 8 | 3940 | 4.32 |
| CD4051BM | D | SOIC | 16 | 40 | 507 | 8 | 3940 | 4.32 |
| CD4051BMG4 | D | SOIC | 16 | 40 | 506.6 | 8 | 3940 | 4.32 |
| CD4051BMG4 | D | SOIC | 16 | 40 | 507 | 8 | 3940 | 4.32 |
| CD4051BPW | PW | TSSOP | 16 | 90 | 530 | 10.2 | 3600 | 3.5 |
| CD4051BPWE4 | PW | TSSOP | 16 | 90 | 530 | 10.2 | 3600 | 3.5 |
| CD4052BE | N | PDIP | 16 | 25 | 506 | 13.97 | 11230 | 4.32 |
| CD4052BEE4 | N | PDIP | 16 | 25 | 506 | 13.97 | 11230 | 4.32 |
| CD4052BM | D | SOIC | 16 | 40 | 507 | 8 | 3940 | 4.32 |
| CD4052BMG4 | D | SOIC | 16 | 40 | 507 | 8 | 3940 | 4.32 |
| CD4052BNS | NS | SOP | 16 | 50 | 530 | 10.5 | 4000 | 4.1 |
| CD4052BPW | PW | TSSOP | 16 | 90 | 530 | 10.2 | 3600 | 3.5 |
| CD4053BE | N | PDIP | 16 | 25 | 506 | 13.97 | 11230 | 4.32 |
| CD4053BEE4 | N | PDIP | 16 | 25 | 506 | 13.97 | 11230 | 4.32 |
| CD4053BM | D | SOIC | 16 | 40 | 507 | 8 | 3940 | 4.32 |
| CD4053BMG4 | D | SOIC | 16 | 40 | 507 | 8 | 3940 | 4.32 |
| CD4053BPW | PW | TSSOP | 16 | 90 | 530 | 10.2 | 3600 | 3.5 |



PACKAGE OUTLINE

NS0016A

SOP - 2.00 mm max height

SOP



NOTES:

1. All linear dimensions are in millimeters. Dimensions in parenthesis are for reference only. Dimensioning and tolerancing per ASME Y14.5M.
2. This drawing is subject to change without notice.
3. This dimension does not include mold flash, protrusions, or gate burrs. Mold flash, protrusions, or gate burrs shall not exceed 0.15 mm, per side.
4. This dimension does not include interlead flash. Interlead flash shall not exceed 0.25 mm, per side.

EXAMPLE BOARD LAYOUT

NS0016A

SOP - 2.00 mm max height

SOP



4220735/A 12/2021

NOTES: (continued)

5. Publication IPC-7351 may have alternate designs.

6. Solder mask tolerances between and around signal pads can vary based on board fabrication site.

EXAMPLE STENCIL DESIGN

NS0016A

SOP - 2.00 mm max height

SOP



SOLDER PASTE EXAMPLE
BASED ON 0.125 mm THICK STENCIL
SCALE:7X

4220735/A 12/2021

NOTES: (continued)

7. Laser cutting apertures with trapezoidal walls and rounded corners may offer better paste release. IPC-7525 may have alternate design recommendations.
8. Board assembly site may have different recommendations for stencil design.

D (R-PDSO-G16)

PLASTIC SMALL OUTLINE



- NOTES:
- A. All linear dimensions are in inches (millimeters).
 - B. This drawing is subject to change without notice.
 - C. Body length does not include mold flash, protrusions, or gate burrs. Mold flash, protrusions, or gate burrs shall not exceed 0.006 (0,15) each side.
 - D. Body width does not include interlead flash. Interlead flash shall not exceed 0.017 (0,43) each side.
 - E. Reference JEDEC MS-012 variation AC.

D (R-PDSO-G16)

PLASTIC SMALL OUTLINE



- NOTES:
- All linear dimensions are in millimeters.
 - This drawing is subject to change without notice.
 - Publication IPC-7351 is recommended for alternate designs.
 - Laser cutting apertures with trapezoidal walls and also rounding corners will offer better paste release. Customers should contact their board assembly site for stencil design recommendations. Refer to IPC-7525 for other stencil recommendations.
 - Customers should contact their board fabrication site for solder mask tolerances between and around signal pads.



NOTES:

1. All linear dimensions are in millimeters. Any dimensions in parenthesis are for reference only. Dimensioning and tolerancing per ASME Y14.5M.
2. This drawing is subject to change without notice.
3. This dimension does not include mold flash, protrusions, or gate burrs. Mold flash, protrusions, or gate burrs shall not exceed 0.15 mm per side.
4. This dimension does not include interlead flash. Interlead flash shall not exceed 0.25 mm per side.
5. Reference JEDEC registration MO-153.

EXAMPLE BOARD LAYOUT

PW0016A

TSSOP - 1.2 mm max height

SMALL OUTLINE PACKAGE



LAND PATTERN EXAMPLE
EXPOSED METAL SHOWN
SCALE: 10X



4220204/A 02/2017

NOTES: (continued)

- 6. Publication IPC-7351 may have alternate designs.
- 7. Solder mask tolerances between and around signal pads can vary based on board fabrication site.

EXAMPLE STENCIL DESIGN

PW0016A

TSSOP - 1.2 mm max height

SMALL OUTLINE PACKAGE



SOLDER PASTE EXAMPLE
BASED ON 0.125 mm THICK STENCIL
SCALE: 10X

4220204/A 02/2017

NOTES: (continued)

8. Laser cutting apertures with trapezoidal walls and rounded corners may offer better paste release. IPC-7525 may have alternate design recommendations.
9. Board assembly site may have different recommendations for stencil design.

MECHANICAL DATA

NS (R-PDSO-G**)

PLASTIC SMALL-OUTLINE PACKAGE

14-PINS SHOWN



- NOTES:
- A. All linear dimensions are in millimeters.
 - B. This drawing is subject to change without notice.
 - C. Body dimensions do not include mold flash or protrusion, not to exceed 0,15.

J (R-GDIP-T**)

14 LEADS SHOWN

CERAMIC DUAL IN-LINE PACKAGE



| DIM \ PINS ** | 14 | 16 | 18 | 20 |
|---------------|------------------------|------------------------|------------------------|------------------------|
| A | 0.300 (7,62) BSC | 0.300 (7,62) BSC | 0.300 (7,62) BSC | 0.300 (7,62) BSC |
| B MAX | 0.785 (19,94) | .840 (21,34) | 0.960 (24,38) | 1.060 (26,92) |
| B MIN | — | — | — | — |
| C MAX | 0.300 (7,62) | 0.300 (7,62) | 0.310 (7,87) | 0.300 (7,62) |
| C MIN | 0.245 (6,22) | 0.245 (6,22) | 0.220 (5,59) | 0.245 (6,22) |



4040083/F 03/03

- NOTES:
- All linear dimensions are in inches (millimeters).
 - This drawing is subject to change without notice.
 - This package is hermetically sealed with a ceramic lid using glass frit.
 - Index point is provided on cap for terminal identification only on press ceramic glass frit seal only.
 - Falls within MIL STD 1835 GDIP1-T14, GDIP1-T16, GDIP1-T18 and GDIP1-T20.

N (R-PDIP-T**)

PLASTIC DUAL-IN-LINE PACKAGE

16 PINS SHOWN



4040049/E 12/2002

- NOTES:
- A. All linear dimensions are in inches (millimeters).
 - B. This drawing is subject to change without notice.
 - (C) Falls within JEDEC MS-001, except 18 and 20 pin minimum body length (Dim A).
 - (D) The 20 pin end lead shoulder width is a vendor option, either half or full width.

重要声明和免责声明

TI“按原样”提供技术和可靠性数据（包括数据表）、设计资源（包括参考设计）、应用或其他设计建议、网络工具、安全信息和其他资源，不保证没有瑕疵且不做任何明示或暗示的担保，包括但不限于对适销性、某特定用途方面的适用性或不侵犯任何第三方知识产权的暗示担保。

这些资源可供使用 TI 产品进行设计的熟练开发人员使用。您将自行承担以下全部责任：(1) 针对您的应用选择合适的 TI 产品，(2) 设计、验证并测试您的应用，(3) 确保您的应用满足相应标准以及任何其他功能安全、信息安全、监管或其他要求。

这些资源如有变更，恕不另行通知。TI 授权您仅可将这些资源用于研发本资源所述的 TI 产品的应用。严禁对这些资源进行其他复制或展示。您无权使用任何其他 TI 知识产权或任何第三方知识产权。您应全额赔偿因在这些资源的使用中对 TI 及其代表造成的任何索赔、损害、成本、损失和债务，TI 对此概不负责。

TI 提供的产品受 [TI 的销售条款](#) 或 [ti.com](#) 上其他适用条款/TI 产品随附的其他适用条款的约束。TI 提供这些资源并不会扩展或以其他方式更改 TI 针对 TI 产品发布的适用的担保或担保免责声明。

TI 反对并拒绝您可能提出的任何其他或不同的条款。

邮寄地址：Texas Instruments, Post Office Box 655303, Dallas, Texas 75265

Copyright © 2024，德州仪器 (TI) 公司